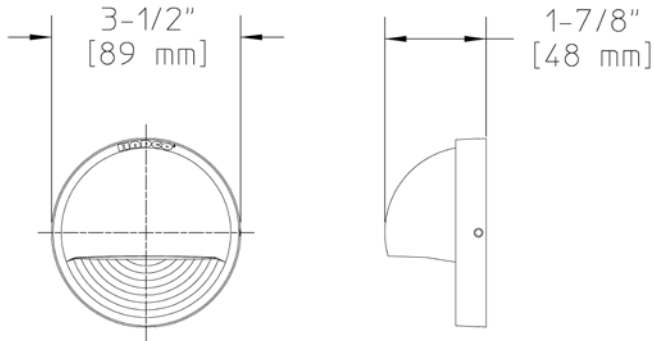


Project: \_\_\_\_\_  
 Location: \_\_\_\_\_  
 Cat.No: \_\_\_\_\_  
 Type: \_\_\_\_\_  
 Lamps: \_\_\_\_\_ Qty: \_\_\_\_\_  
 Notes: \_\_\_\_\_



### Ordering Guide

Example: DAL1 A LED2W

Product Code	DAL1	LED Aluminum Deck Light
<b>Finish</b>	A	Black
	B	White
	G	Verde
	H	Bronze
<b>LED</b>	LED2W	LED Lamp

### Specifications

#### HOUSING:

Body and mounting plate are cast aluminum construction. Fasteners are 300 series stainless steel.

#### FINISH:

Thermoset polyester powdercoat is electrostatically applied after a five-stage conversion cleaning process and bonded by heat fusion thermosetting. Laboratory tested for superior weatherability and fade resistance in accordance with ASTM B117 specifications.

#### OPTICAL ASSEMBLY:

Frosted, annealed glass lens Reflector is Stamped Hammertone Aluminum

#### LAMPING:

Philips 12V LED 1.2W Capsule lamp. Up to 88% energy savins when compared to a 10W Capsule halogen lamp. Long lifetime of 15,000 hours (B50,L70). Operating temperature range is between -20C and 35C (ambient). Suitable for use in enclosed luminaires where the case temperature (Tc) remains below Tc MAX. Total Lumens = 105lm Lower wattage lamps are acceptable.

#### ELECTRICAL ASSEMBLY:

Bi-pin socket type (G4) with 250° C high temperature teflon coated wire leads. 12 volt fixture is pre-wired with 6-ft. pigtail of 18-2 AWG, 105° C, SPT-1W wire. Low voltage quick connector, catalog #LVC3 included for easy hook-up to the low voltage supply cable, not included. 12 Volt system requires remote transformer, not included.

#### INSTALLATION & MOUNTING:

Two (2) Stainless #8 wood screws (supplied) via key slots.

#### WARRANTY:

Five-year limited warranty.

#### CERTIFICATIONS:

ETL listed to U.S. safety standards for wet locations. cETL listed to Canadian safety standards for wet locations. Manufactured to ISO 9001:2008 Standards.

<b>Height :</b>	<b>Width:</b>	<b>Depth:</b>	<b>Max. Weight:</b>
3 1/2" (89mm)	3 1/2" (89mm)	1 7/8" (48mm)	0.30 lb

