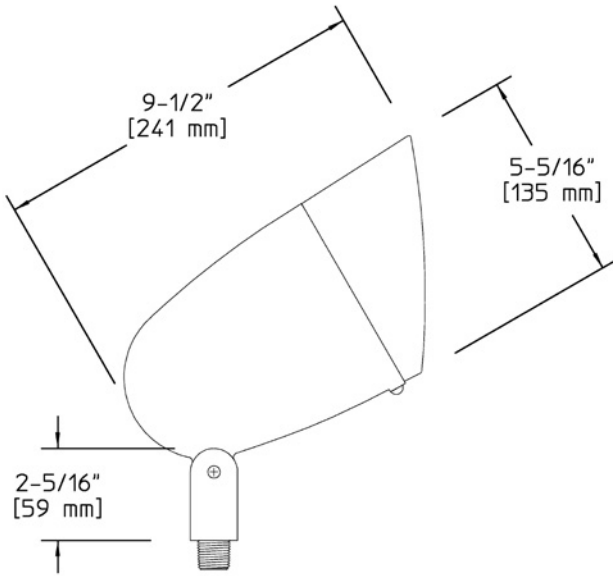


Project: \_\_\_\_\_  
 Location: \_\_\_\_\_  
 Cat.No: \_\_\_\_\_  
 Type: \_\_\_\_\_  
 Lamps: \_\_\_\_\_ Qty: \_\_\_\_\_  
 Notes: \_\_\_\_\_



### Ordering Guide

Example: BU3 A

Product Code	BU3	Composite Bullyte
Finish	A H G	Black Bronze Verde

\*1 US and CAN: 75 Watt, PAR30

### Specifications

#### HOUSING:

Fully rotatable shroud, gasketed, ULTEM® High Performance Polymer composite. One-piece injection molded ULTEM® High Performance Polymer composite. Fully-adjustable swivel arm with vibration-proof locking teeth. Gasketing is silicone. Fasteners are 300 series stainless steel. 1/2" NPS male threads to screw onto accessory mounting stake or junction box, sold separately.

#### FINISH:

Composite is textured, pressure formed, molded-in-color.

#### OPTICAL ASSEMBLY:

Clear tempered glass affixed at 10° angle for natural cleaning.

#### LAMPING:

75W maximum PAR30/R30 medium base lamp. Lamp is not included. Lower wattage lamps are acceptable.

#### ELECTRICAL ASSEMBLY:

4kv rated porcelain medium base. Nickel-plated screw shell with center contact.

#### BALLAST:

Must order inground (IBH) or above ground (ABH) ballast housing separately.

#### WARRANTY:

Ten-year limited warranty.

#### CERTIFICATIONS:

ETL listed to U.S. safety standards for wet locations. cETL listed to Canadian safety standards for wet locations. Manufactured to ISO 9001:2008 Standards.

<b>Width:</b>	<b>Length:</b>	<b>Max. Weight:</b>
5 5/16" (135mm)	9 1/2" (241mm)	2.35 lb.

