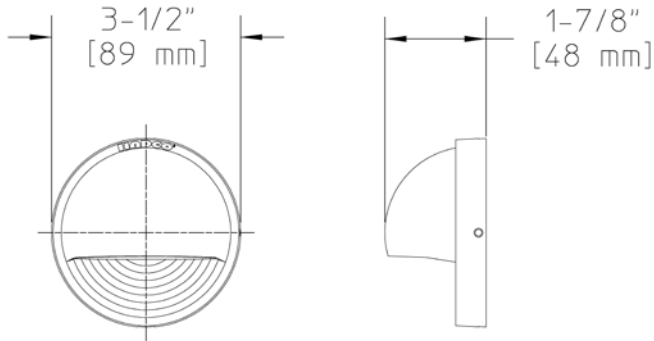


Project: _____
 Location: _____
 Cat.No: _____
 Type: _____
 Lamps: _____ Qty: _____
 Notes: _____



Ordering Guide

Example: DAL1 SS

Product Code	DAL1	Stainless Steel Deck Light
Finish	SS	Stainless steel (MATTE FINISH)

Specifications

HOUSING:

Body and mounting plate are cast stainless steel construction.
 Fasteners are 300 series stainless steel.

FINISH:

Linear machine brushed, satin appearance.

OPTICAL ASSEMBLY:

Frosted, annealed glass lens Reflector is Stamped Hammertone Aluminum

LAMPING:

10W maximum T3 bi-pin lamp. 10W T3 lamp is included with fixture. Lower wattage lamps are acceptable.

ELECTRICAL ASSEMBLY:

Bi-pin socket type (G4) with 250° C high temperature teflon coated wire leads. 12 volt fixture is pre-wired with 6-ft. pigtail of 18-2 AWG, 105° C, SPT-1W wire. Low voltage quick connector, catalog #LVC3 included for easy hook-up to the low voltage supply cable, not included. 12 Volt system requires remote transformer, not included.

INSTALLATION & MOUNTING:

Two (2) Stainless #8 wood screws (supplied) via key slots.

WARRANTY:

Lifetime limited warranty.

CERTIFICATIONS:

ETL listed to U.S. safety standards for wet locations. cETL listed to Canadian safety standards for wet locations. Manufactured to ISO 9001:2008 Standards.

Height :

3 1/2" (89mm)

Width:

3 1/2" (89mm)

Depth:

1 7/8" (48mm)

Max. Weight:

0.90 lb

