

Project: \_\_\_\_\_

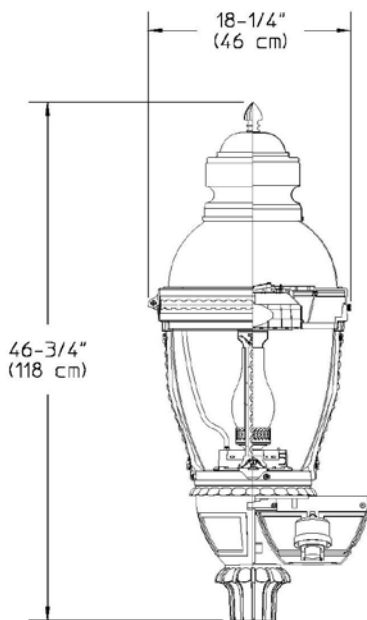
Location: \_\_\_\_\_

Cat.No: \_\_\_\_\_

Type: \_\_\_\_\_

Lamps: \_\_\_\_\_ Qty: \_\_\_\_\_

Notes: \_\_\_\_\_



### Ordering Guide

Example: V022 A B4 N D 70S E

| Product Code         | V022   | New Oxford  |
|----------------------|--|---|
| <b>Finish</b>        | A<br>B<br>H<br>G<br>J                                      | Black<br>White<br>Bronze<br>Verde<br>Green  |
| <b>Optics</b>        | B4<br>B5<br>T3<br>T5                                       | Type IV Refractive globe<br>Type V Refractive globe<br>Type III Cutoff<br>Type V Cutoff |
| <b>Photo Control</b> | N<br>B<br>R  | None<br>Button Eye Photo Control<br>Twist-lock Receptacle                               |
| <b>Socket</b>        | D<br>G   | Medium<br>Mogul   |
| <b>Wattage</b>       | 70S<br>100S<br>150S<br>250S<br>70H<br>100H<br>150H<br>250H | 70W HPS<br>100W HPS<br>150W HPS<br>250W HPS<br>70W MH<br>100W MH<br>150W MH<br>250W MH  |
| <b>Voltage</b>       | E<br>F<br>G<br>H<br>K                                      | 120V<br>208V<br>240V<br>277V<br>347V  |

\*1 Available with Mogul base (G) socket only.  
\*2 Available with Medium base (D) socket only.

### Specifications

#### HOUSING:

360 low-copper die-cast aluminum alloy . 356 HM high-strength, low-copper, proprietary cast aluminum alloy . 0.090" thick spun aluminum . Tool-less lamp access. Hinged roof with stainless steel thumb screw. Tool-less ballast access. Twistlock ballast assembly with quick disconnects for easy maintenance. The optional photo control eye is located in the ballast enclosure for easy access via a hinged door. Slip Fitter Dimensions: 3" I.D. x 3" deep .

#### FINISH:

Thermoset polyester powdercoat is electrostatically applied after a five-stage conversion cleaning process and bonded by heat fusion thermosetting. Laboratory tested for superior weatherability and fade resistance in accordance with ASTM B117 specifications. For larger projects where a custom color is required, contact the factory for more information.

#### OPTICAL ASSEMBLY:

Type IV Refractive Globe (Includes internal House Side Shield). Type V Refractive Globe. Optically designed, U.V. stabilized, injection molded, acrylic refractive globe. Type III Cutoff. Type V Cutoff. U.V. stabilized, injection molded, clear acrylic globe. Type III (precision formed, segmented specular aluminum internal cutoff reflector with horizontal lamp mounting). Type V (specular aluminum internal cutoff reflector with horizontal lamp mounting). Decorative frosted glass chimney.

#### LAMPING:

MH and HPS Medium base: E17. MH and 250W HPS Mogul base: ED28. 70W-150W HPS Mogul base: ED23.5.

#### ELECTRICAL ASSEMBLY:

Twistlock Ballast Assembly with Quick Disconnects for easy maintenance. Ballasts are HPF core and coil. 4kv rated mogul base porcelain socket. Nickel-plated screw shell with center contact. 4kv rated porcelain mini-can base. Nickel-plated screw shell with center contact.

# V022 New Oxford

## MH/HPS Post top

### Specifications

---

**BALLAST:**

All HID ballasts are core and coil and regulated with power factors better than 90% (HPF). Ballast provides +/- 5% lamp power regulation with +/- 10% input voltage regulation. Ballasts are factory pre-wired and tested. Metal halide ballasts are capable of starting at -20° F or -30° C and HPS at -40°F or -40°C. NOTE: All ballasts are EISA / Title 20 / Title 24 compliant where applicable.

**CERTIFICATIONS:**

ETL Listed to U.S. safety standards for wet locations. cETL listed to Canadian safety standards for wet locations. Manufactured to ISO 9001:2008 Standards.

**WARRANTY:**

Three-year limited warranty.

**Height :**

47" (119cm)

**Width:**

18 1/4" (46cm)

**Max. Weight:**

68 lbs.

**Max. EPA:**

2.55 sq. ft.

**IESNA Classifications:**

Semi Cutoff: Refractive globe

**IESNA Classifications:**

Cutoff: Cutoff optics

