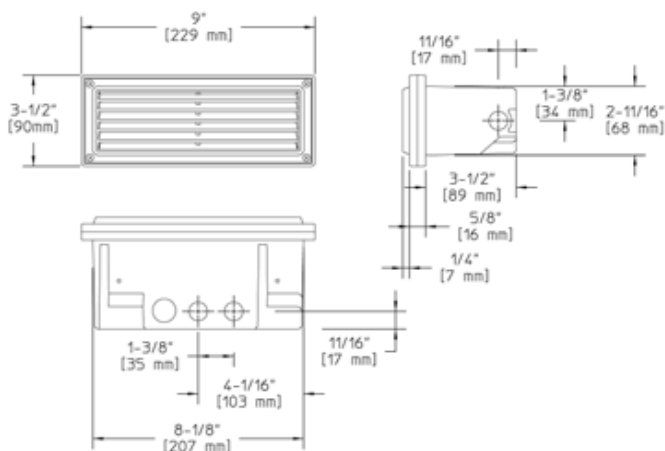


Project: \_\_\_\_\_  
 Location: \_\_\_\_\_  
 Cat.No: \_\_\_\_\_  
 Type: \_\_\_\_\_  
 Lamps: \_\_\_\_\_ Qty: \_\_\_\_\_  
 Notes: \_\_\_\_\_



### Ordering Guide

Example: RSCL2\_K5812 P A

<b>Product Code</b>	RSCL2_K5812		
<b>Finish</b>	A	Black	
	H	Bronze	
<b>Thermal Protection</b>	P	Thermal Protection Device	*1

\*1 Thermal protection device is required for installations in drywall, plaster, "P" to the catalog number to order.

### Specifications

#### HOUSING:

Aluminum parts have zinc-rich primer and thermoset powdercoat for durability. Faceplates are color-impregnated. Die-cast aluminum back box contains less than 0.3% copper to prevent corrosion in concrete or masonry applications. Die-cast aluminum trim contains less than 0.3% copper to resist corrosion. (Note: Flange not included with CB100 fixture.). Thermal Protection device is required for installations in drywall, plaster, wood or other non-masonry materials.

#### FINISH:

Thermoset polyester powdercoat is electrostatically applied after a five-stage conversion cleaning process and bonded by heat fusion thermosetting. Zinc-rich primer and thermoset powdercoat for durability.

#### OPTICAL ASSEMBLY:

Horizontal louver lens made of die-cast copper-free aluminum with a 45° cutoff and frosted tempered glass. Cast bronze louver is natural cast bronze with frosted tempered glass.

#### LAMPING:

Two 18W maximum S-8 (1141) lamps (Single contact bayonet base). Lamp is included with fixture.

#### ELECTRICAL ASSEMBLY:

Single contact bayonet (S-8). 12 volt fixture is pre-wired with 6-ft. pigtail of 18-2 AWG, 105° C, SPT-1W wire. Low voltage quick connector, catalog #LVC3 included for easy hook-up to the low voltage supply cable, not included. 12 Volt system requires remote transformer, not included.

#### WARRANTY:

Three-year limited warranty.

#### CERTIFICATIONS:

ETL listed to U.S. safety standards for wet locations. cETL listed to Canadian safety standards for wet locations. Manufactured to ISO 9001:2008 Standards. ADA Compliant when used in indoor and outdoor wall applications.

#### Height :

3 1/2" (89mm)

#### Width:

9" (229mm)

#### Depth:

4 11/16" (103mm)

# RSCL2\_K5812 RSCL2\_K5812

## Step light

### Specifications

---

**Housing Height:**

2 11/16" (68mm)

**Housing Width:**

8 1/8" (207mm)

**Max. Weight:**

3.86 lb

