

TruGroove suspended, surface & wall is driving performance beyond the edge. Innovative optics deliver exceptional uniformity and wide row spacing from a 3" aperture continuous line-of light. An extended family and refined design are perfect for lighting any professional space.

Project: _____
 Location: _____
 Cat.No: _____
 Type: _____
 Line ID: _____ Qty: _____
 Notes: _____

Ordering guide

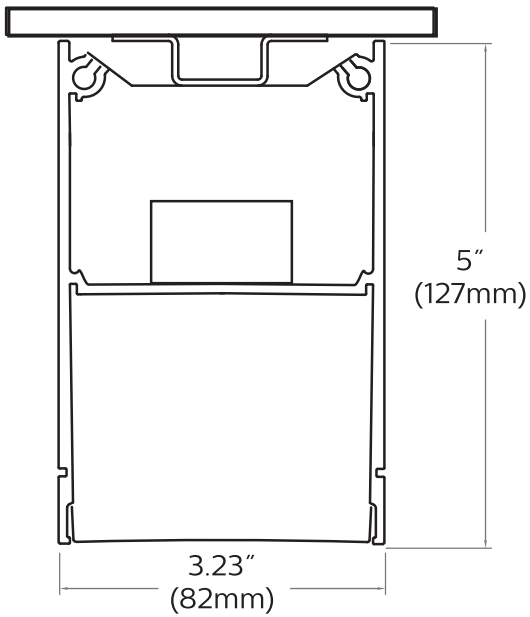
example: 2911LBEQN087DEB

Family	Source	CRI/CCT ¹	Lumens ¹	Optics	Run Length	Wiring ²	Voltage	Driver
2911	L							
2911 TruGroove Surface Direct	L LED	A 80CRI/4000K	E 3200 lm/4ft	QN Symmetric MesoOptics Lens WN Asymmetric MesoOptics Lens	04 4ft	7 1cct Dimming M 1cct Dimming + EM Wiring N 1cct Dimming + EM Batt. Pack	D UNV 120-277V 3 347V	E Advance 0-10V (1% Dim)
		B 80CRI/3500K	G 2300 lm/4ft		06 6ft			
		C 80CRI/3000K	K 1500 lm/4ft		08 8ft xx Continuous Run (2ft increments)		D UNV 120-277V	S Advance Sensor Ready (5% dim)
Finish	Option	Sensor						
W Standard White	(none - leave blank)	(none - leave blank)						
T Titanium Silver								
B Black	N No Option	SZ SpaceWise DT Occupancy & Daylight Sensor						
C Custom								

1. Nominal values within a range. Consult photometry data for CRI, color temp, lumens & distribution of chosen configuration.
 2. Not all wiring types are available with all configurations. Consult Ledalite for a complete list of available options.

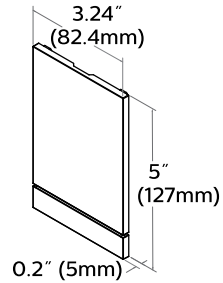
TruGroove linear surface

Cross Section View – Direct Distribution (2911)



Cross Section View – Endcaps

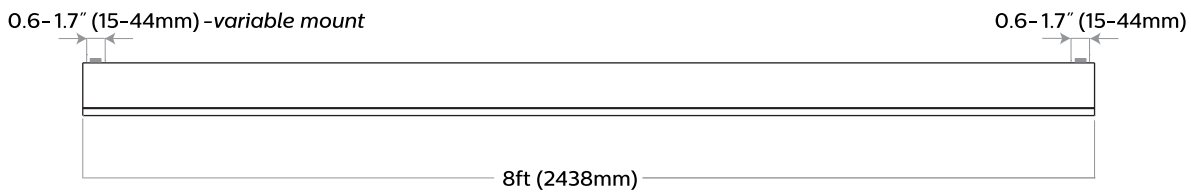
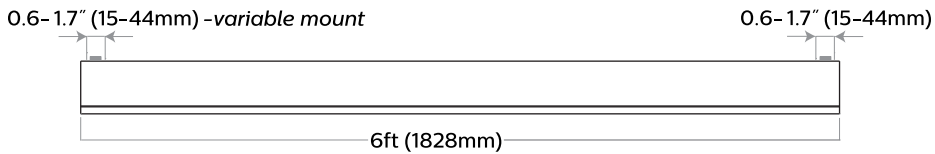
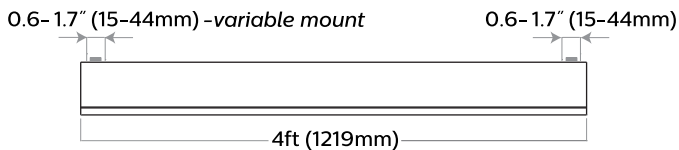
Direct/Indirect Endcap



Module Details & Dimensions

Side View

Surface Mount Without Endcaps



TruGroove linear surface

Specifications

Optical System

Upper hemisphere: White light emitted from a linear array of upward-facing LEDs is shaped into a homogeneous, wide-throw batwing distribution using either a freeform elliptical lens or an engineered light guide panel. Lower hemisphere: White light emitted from a linear array of downward-facing LEDs is laterally redirected using either a biconvex lens or optical microstructures embedded in a layer of MesoOptics DX film. An extruded acrylic lens and MesoOptics film assembly then generates an optimal batwing distribution and a uniform continuum of light.

Endcaps

Diecast flat aluminum endcaps with integral groove to match housing.

Finish

High quality powder coated, available in matte white, black or titanium silver. Other custom colors available on request. White sensors only.

Housing

Precision aluminum extrusion, post painted.

Weight

Maximum: Suspended & Surface 3.9lb/ft, Wall 4.1lb/ft & 2'x2' Corner unit 21lb.

Electrical

Factory pre-wired to section ends with quick-wire connectors.

QuickShip

Available for certain configurations upon request.

Standard Drivers

Advance Xitanium 0-10V, 1-100%. Advance Xitanium SR, 5-100% (for SpaceWise DT). Class 2 rated output. Consult Ledalite for other available drivers.

Standard Battery Pack

Bodine, 90 min, 10W, Class 2 rated output, Emergency lumen output = 10W x luminaire efficacy x 1.1. Typical output: 1100lm.

Lumen Maintenance

At an ambient temperature of 25°C, the LED lumen maintenance expectation according to IES TM-21-11 is:
L80 (12k) 60,000 hrs (Reported methodology)
L80 (6k) 110,000 hrs (Projected methodology).

Source Color

LEDs rated for color rendering CRI >80, R9 >0 and fixture to fixture color accuracy within 2 SDCM.

Controls

SpaceWise DT occupancy & daylight sensor w/ advanced grouping & dwell time. SpaceWise DT commissioning via Android phone App. Compatible dimming wireless wall switches are available.

Mounting

Surface: Fixture is mounted flush to surface using hidden brackets that attach to existing structure, variable between 0.6"-1.7" from end or joint.

Joints

Self-aligning joining system with hands-free pre-joining wire access.

Approvals

Certified to UL, CSA and IES standards. Certain symmetric indirect/direct and indirect versions are DesignLights Consortium® qualified. Please see the DLC QPL list for exact catalog numbers (www.designlights.org/QPL).

Warranty

Five-year luminaire limited warranty including LED boards and driver.

Environment

Rated for dry or damp locations in operating ambient temperatures 0-40°C (32-104°F). Certain luminaire components may be adversely affected by contaminants. Damage caused by sulfur, chlorine, petroleum based solutions or other contaminants in the area of operation are not covered under warranty. Not suitable for natatorium environments.

TruGroove linear surface

Photometrics

Direct Distribution (2911)

Spacing Criteria: 1.15/1.63

(Click "IES" text to Download)

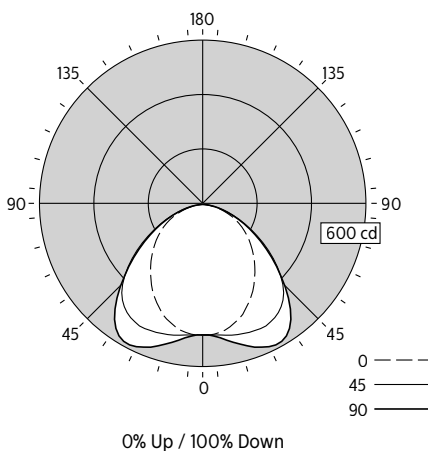
Optics	Lumen Package	Nominal CRI & CCT	Flux (lm)	Watts (W)	Efficacy (LPW)	CRI	R9	Distribution	RP-1 VDT	DLC*	IES File
Symmetric MesoOptics Lens QN	3200 lm/4ft	80CRI, 4000K	3257	35.4	92.0	83	13	0% Up / 100% Down	N/A	N/A	IES
		80CRI, 3500K	3247	34.9	93.0	82	6	0% Up / 100% Down	N/A	N/A	IES
		80CRI, 3000K	3140	34.9	90.0	81	2	0% Up / 100% Down	N/A	N/A	IES
	2300 lm/4ft	80CRI, 4000K	2340	24.1	97.1	83	13	0% Up / 100% Down	Normal spaces	N/A	IES
		80CRI, 3500K	2332	23.8	98.0	82	6	0% Up / 100% Down	Normal spaces	N/A	IES
		80CRI, 3000K	2254	23.8	94.7	81	3	0% Up / 100% Down	Normal spaces	N/A	IES
	1500 lm/4ft	80CRI, 4000K	1498	15.3	97.9	83	13	0% Up / 100% Down	Critical spaces	N/A	IES
		80CRI, 3500K	1493	15.1	98.9	82	6	0% Up / 100% Down	Critical spaces	N/A	IES
		80CRI, 3000K	1444	15.1	95.6	81	4	0% Up / 100% Down	Critical spaces	N/A	IES

Spacing Criteria: 1.66/1.34

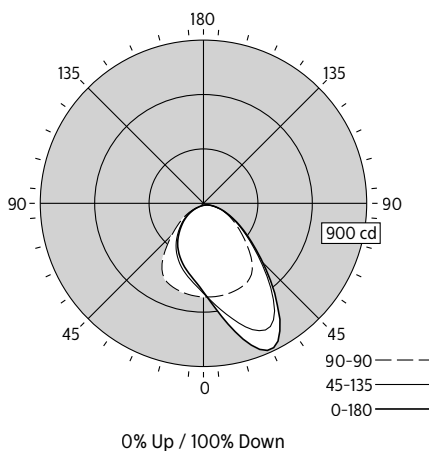
Asymmetric MesoOptics Lens WN	3200 lm/4ft	80CRI, 4000K	2970	35.6	83.4	83	13	0% Up / 100% Down	Normal spaces	N/A	IES
		80CRI, 3500K	2961	35.1	84.4	82	6	0% Up / 100% Down	Normal spaces	N/A	IES
		80CRI, 3000K	2863	35.1	81.6	81	2	0% Up / 100% Down	Normal spaces	N/A	IES
	2300 lm/4ft	80CRI, 4000K	2134	24.3	87.8	83	13	0% Up / 100% Down	Normal spaces	N/A	IES
		80CRI, 3500K	2127	24.0	88.6	82	6	0% Up / 100% Down	Normal spaces	N/A	IES
		80CRI, 3000K	2057	24.0	85.7	81	3	0% Up / 100% Down	Normal spaces	N/A	IES
	1500 lm/4ft	80CRI, 4000K	1366	15.4	88.7	83	13	0% Up / 100% Down	Critical spaces	N/A	IES
		80CRI, 3500K	1362	15.2	89.6	82	6	0% Up / 100% Down	Critical spaces	N/A	IES
		80CRI, 3000K	1317	15.2	86.6	81	4	0% Up / 100% Down	Critical spaces	N/A	IES

*DLC is only available with Advance 0-10V (1% dim) drivers. EM Batt. Packs are also not available on DLC.

Symmetric MesoOptics Lens - QN



Asymmetric MesoOptics Lens - WN



*Candela shown is for 1500 lm/4ft, 3500K, 80 CRI configuration.

