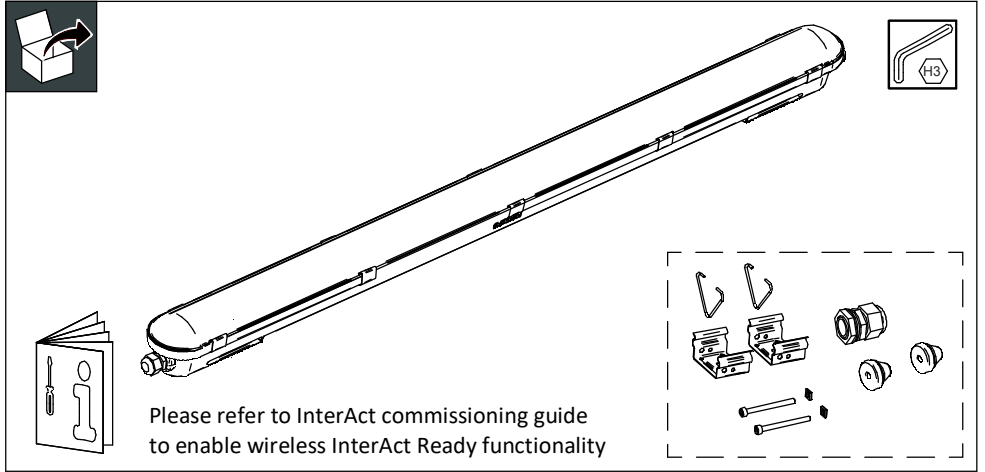


PHILIPS

CoreLine
Waterproof

WT120C IA1



220 V
240 V

50 Hz
60 Hz



Max. 35 °C
Min. -20 °C



LIFETIME
50k HRS



IP65

IK08

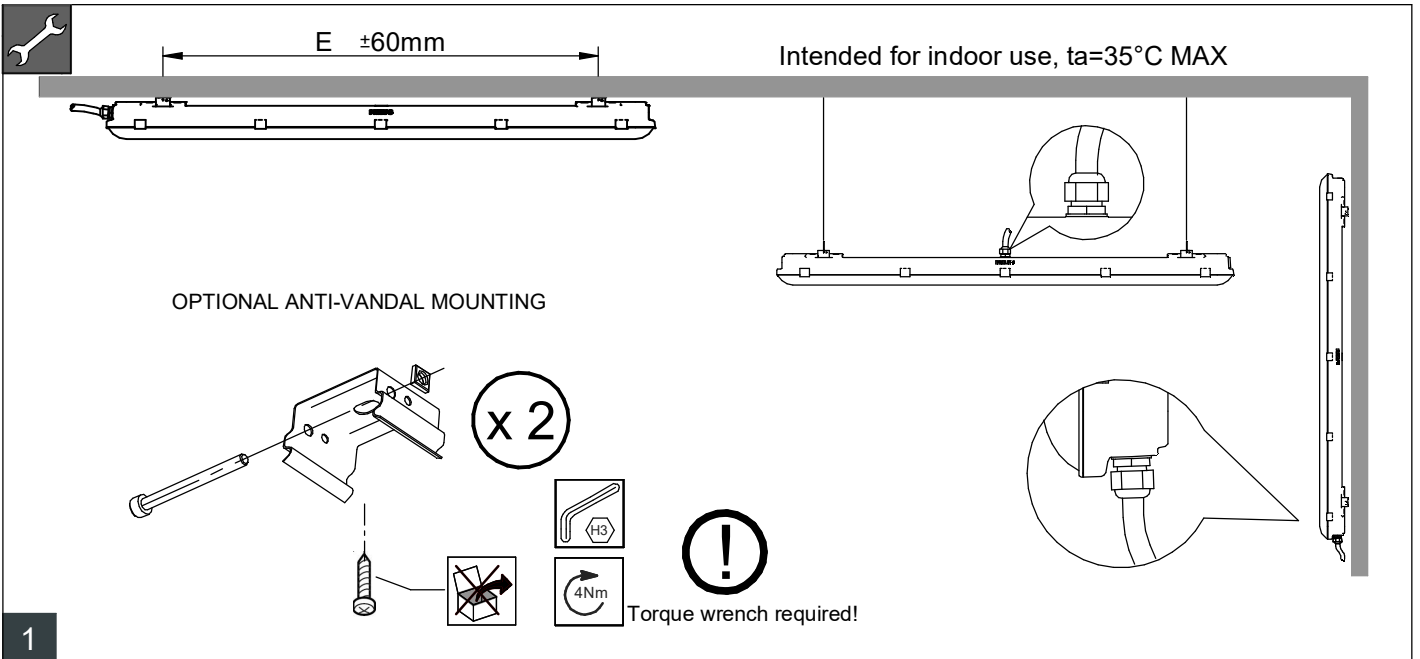


GLOW
WIRE
850 °C



	System light output (Lm)	Color temperature (K)	
WT120C LED40S/840 IA1 L1200	4100	4000	1,53
WT120C LED60S/840 IA1 L1500	6000	4000	1,82

Type	Dimension (mm)						Nr. of clips
	A	B	C	D	E	F	
WT120C LED40S L1200	82	1250	87	38	960	96	10
WT120C LED60S L1500		1530			1213		12



1

! Switch off the power supply before installation

45
30 8

□ 0,75-2,5mm²
∅5-10mm

24

2Nm

Torque wrench required!

!

!

! Through wiring

∅ 20mm

!

3a

!

24

2Nm

Torque wrench required!

!

!

CLICK

4

Use only optical sub-assembly that delivered with housing in one box!

!

5a

!

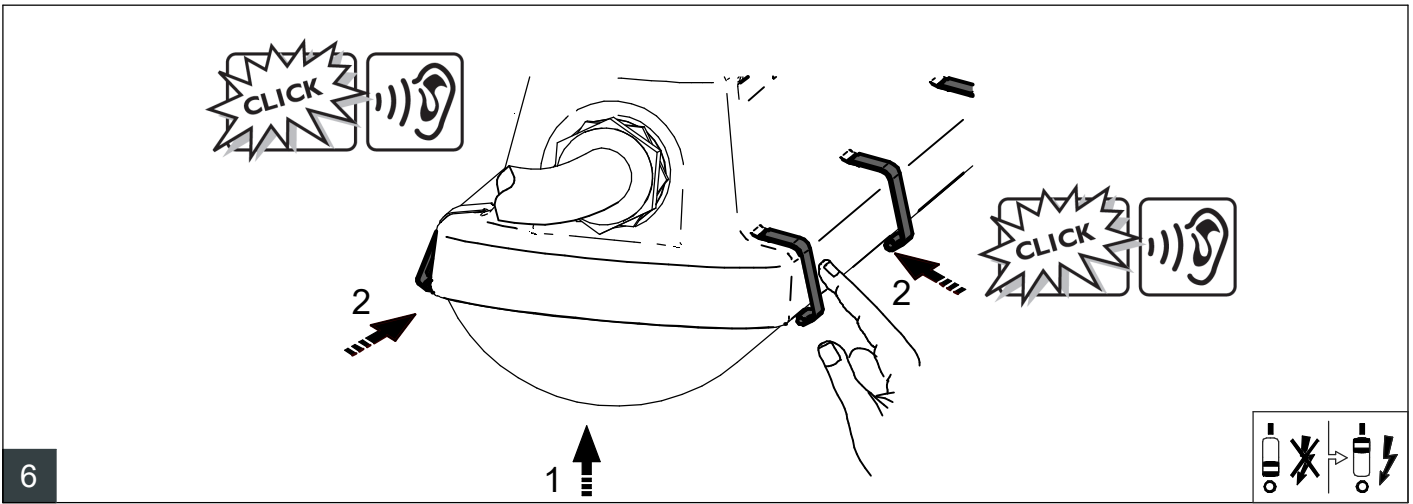
CLICK

5b

!

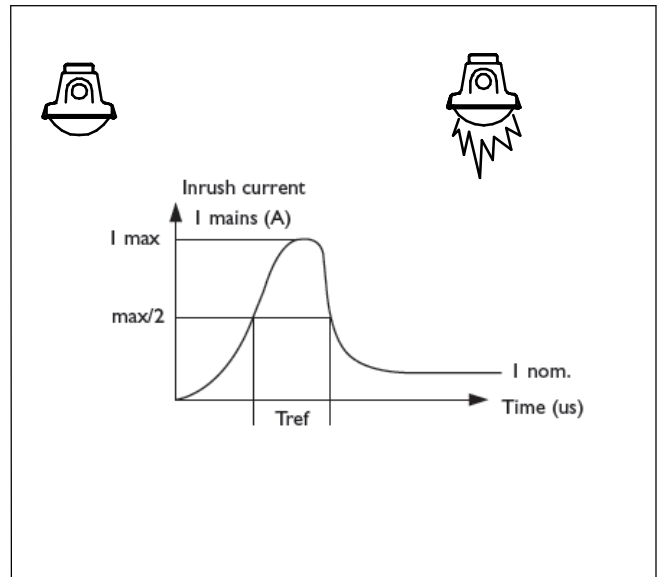
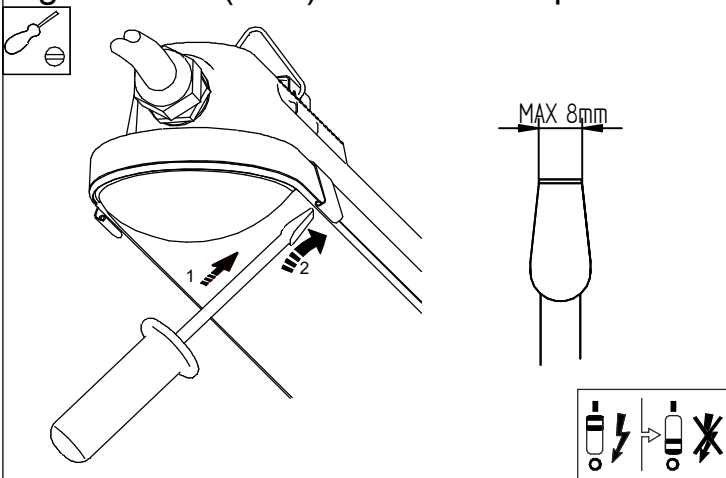
Remove protection foil

6



SERVICE (DRIVER REPLACEMENT)

Light source (LED) is non-user replaceable.

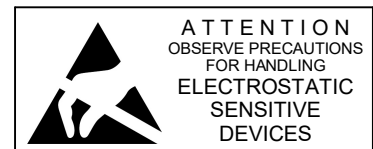


	LED40S	LED60S
I_{peak} [A]	22	22
Twidth [μ s]	270	270
	Max. Nr of products	
Drivers / MCB 16A type B [max.]	22	22
Drivers / MCB 10A type B [max.]	13	13
Drivers / MCB 16A type C [max.]	37	37

Maintenance instructions

To assure the lighting quality of this unique LED lighting concept there are only a few instructions regarding the maintenance of this LED luminaire:

- * Do not touch electronic components!
Electronic components maybe under high voltage.
Caution, risk of electric shock



- * Do not stare into LED light beam.
- * The luminaire shall be installed by a qualified electrician and wired in accordance with the latest IEE electrical regulations or the national requirements.
- * Above average concentration of sulfur effects the useful lifetime of the product.
E.g: Light color changes from white to blue. Typically in chicken & pig farms.



© 2019 Signify Holding

All rights reserved. This document contains information relating to the product portfolio of Signify which information may be subject to change. No representation or warranty as to the accuracy or completeness of the information included herein is given and any liability for any action in reliance thereon is disclaimed. The information presented in this document is not intended as any commercial offer and does not form part of any quotation or contract. Philips and the Philips Shield Emblem are registered trademarks of Koninklijke Philips N.V.. All other trademarks are owned by Signify Holding or their respective owners.

Signify Holding.
The Netherlands