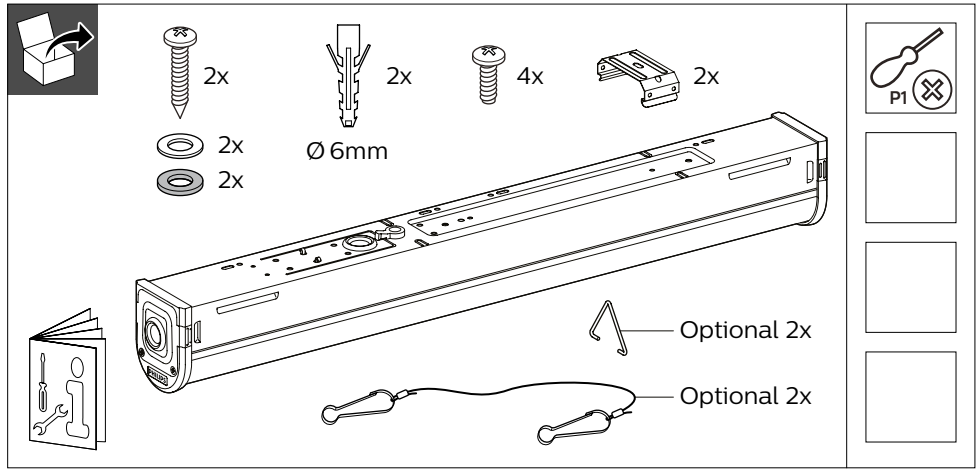


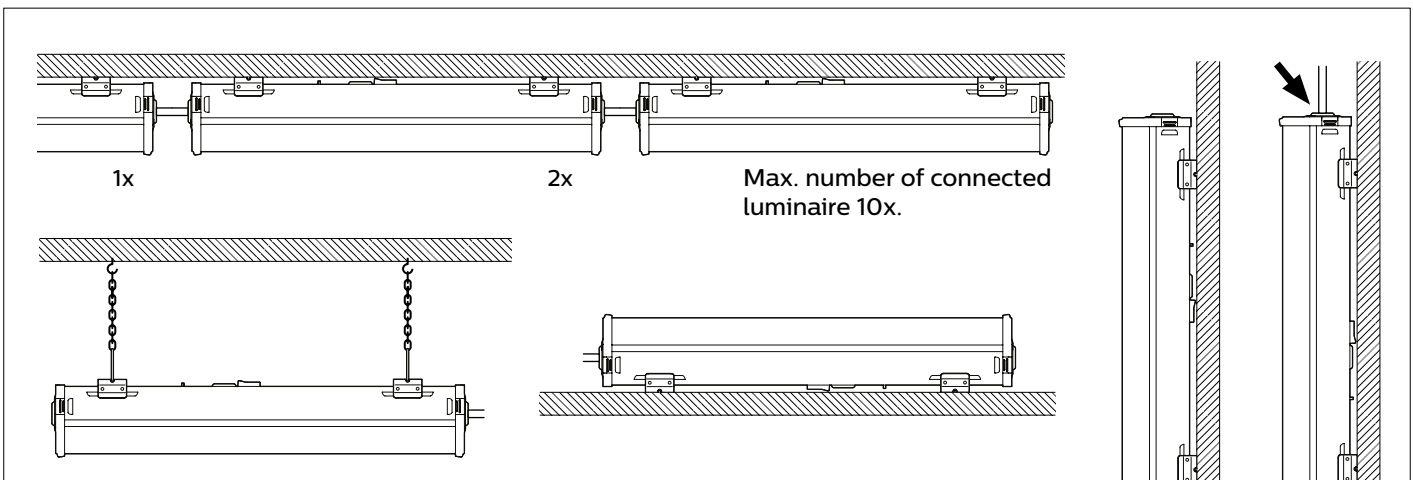
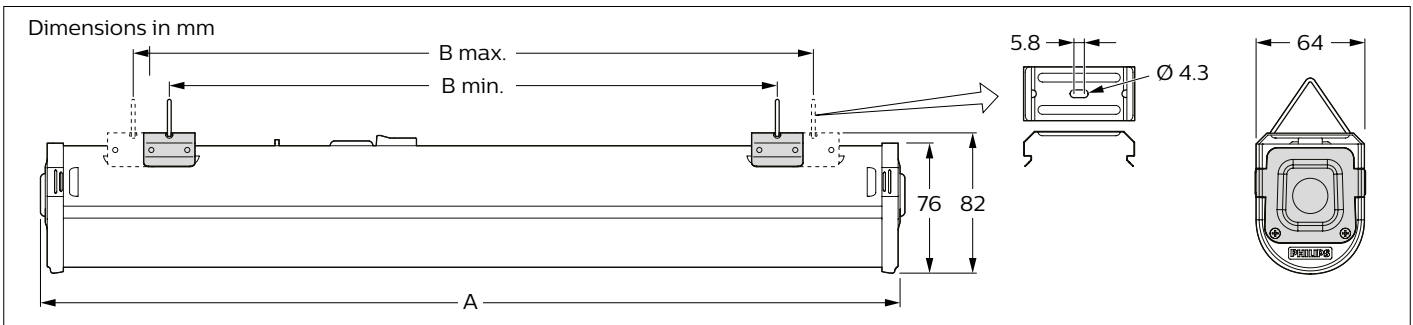
PHILIPS

Coreline Batten

BN124C



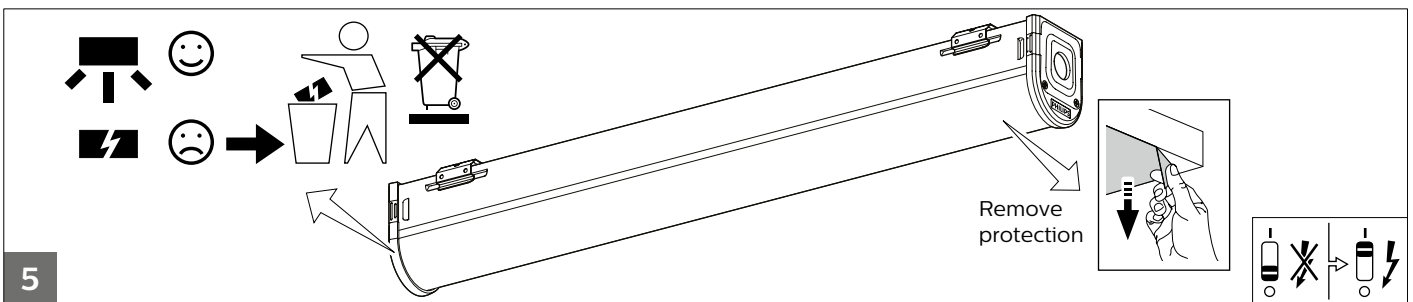
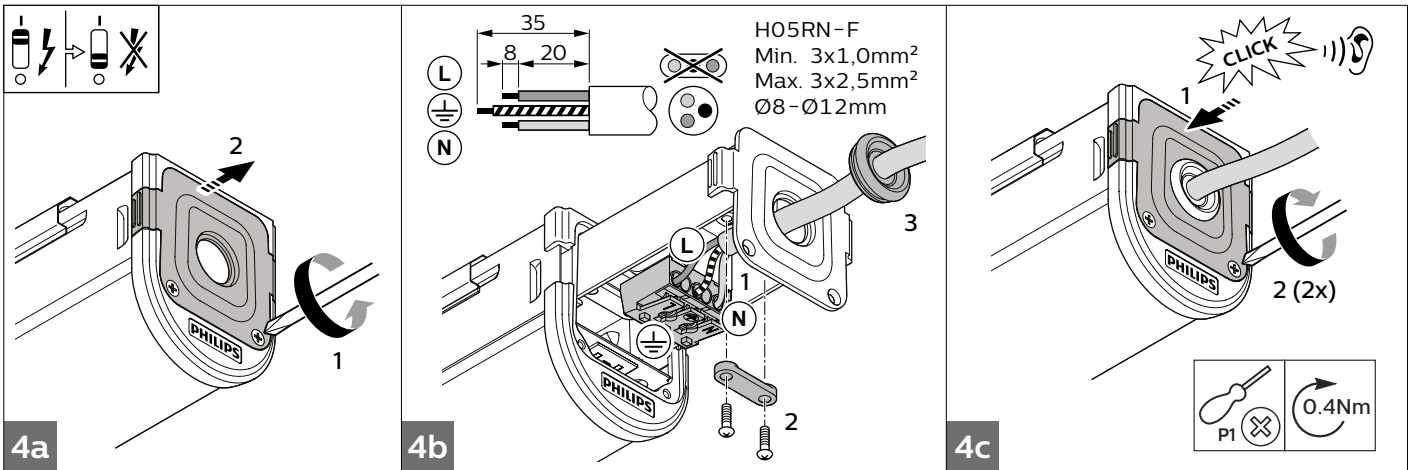
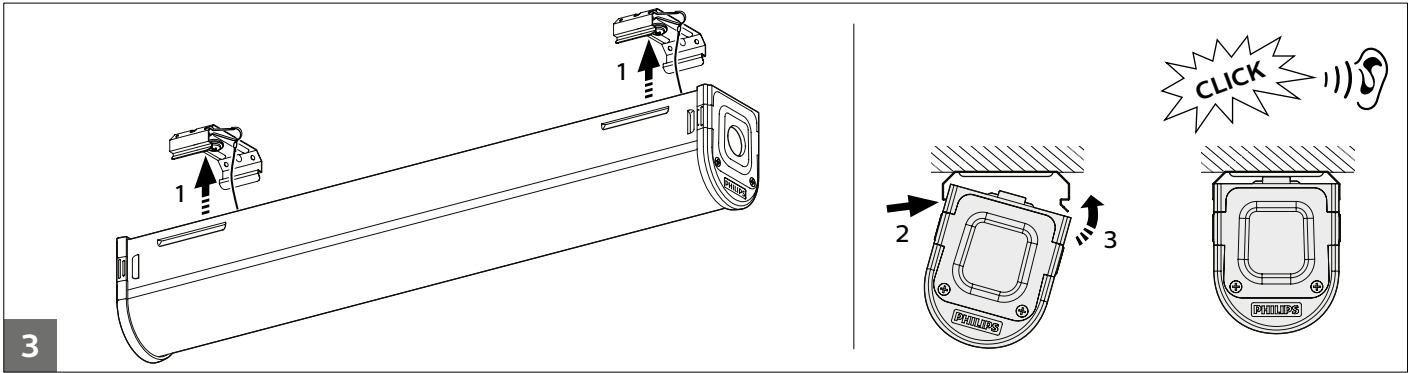
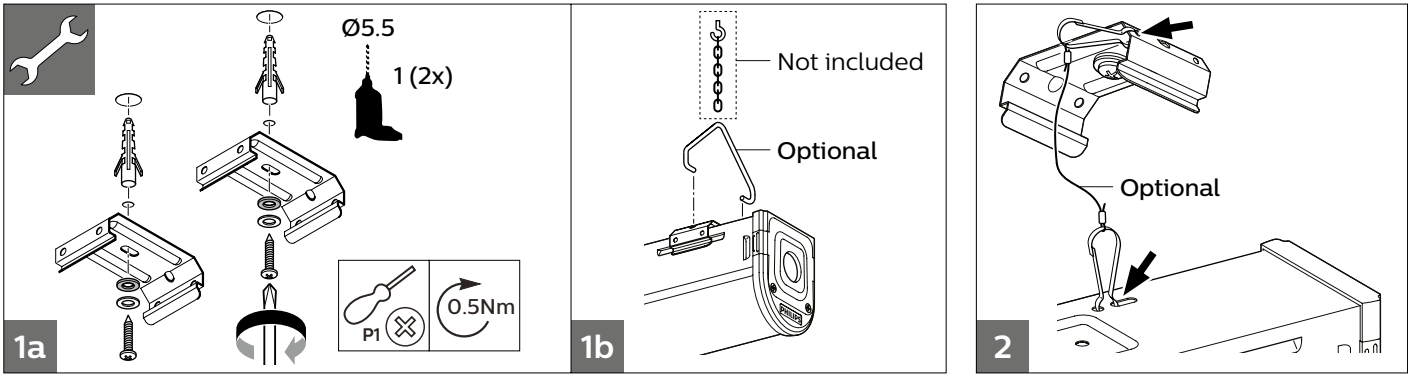
	P (W)	A (mm)	B max. (mm)	B min. (mm)	kg
BN124C LED21S/840 PSU TW1 L600	19	572	474	426	0.70
BN124C LED19S/830 PSU TW1 L600					
BN124C LED41S/840 PSU TW1 L1200	38	1134	924	876	1.45
BN124C LED38S/830 PSU TW1 L1200					
BN124C LED64S/840 PSU TW1 L1500	60	1416	1224	1176	1.70
BN124C LED60S/830 PSU TW1 L1500					



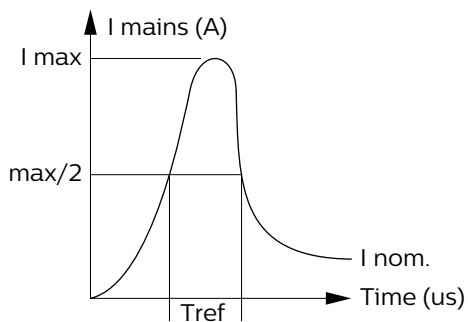
!

- The luminaire shall be installed by a qualified electrician and wired in accordance with the latest IEE electrical regulations or the national requirements.
- LED board & led driver are not serviceable and not replaceable.

ATTENTION
OBSERVE PRECAUTIONS FOR HANDLING ELECTROSTATIC SENSITIVE DEVICES



Inrush current



	LED20S L600	LED38S L1200	LED60S L1500
Electrical characteristics			
I _{nom} (mA)	290	290	370
I _{max} (A)	8	8	8
T _{ref} (µs)	60	60	60
MCB	Luminaire Max.		
B-10 A	10	10	10
B-16 A	10	10	10
C-10 A	10	10	10
C-16 A	10	10	10