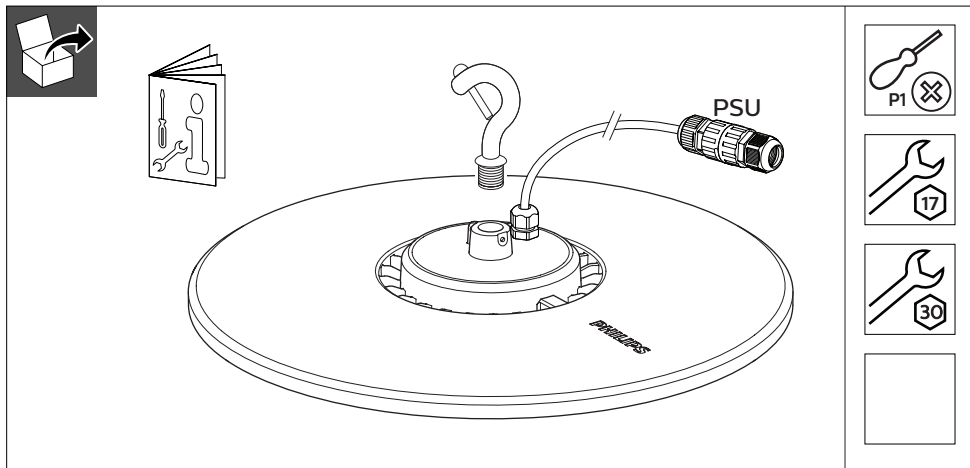


**PHILIPS**

Coreline  
Highbay Gen4

BY120P/BY121P/  
BY122P



**220V**  
**240V**
**50Hz**  
**60Hz**
**IP65**
**IK07**
**GLOW WIRE**  
**650 °C**
**Max. 40 °C**  
**Min. -30 °C**

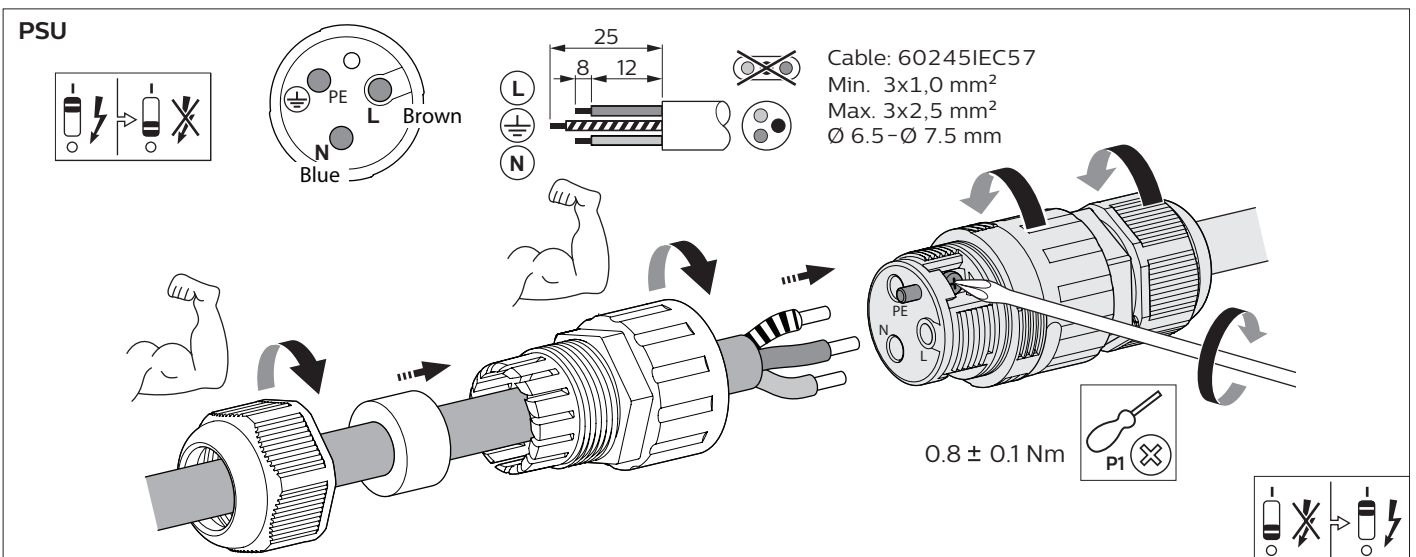
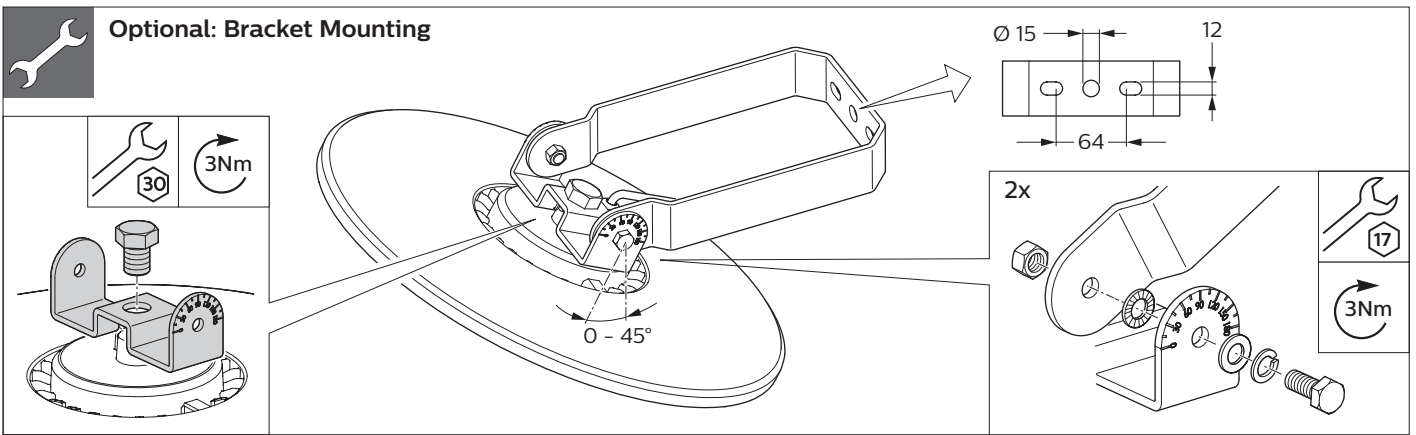
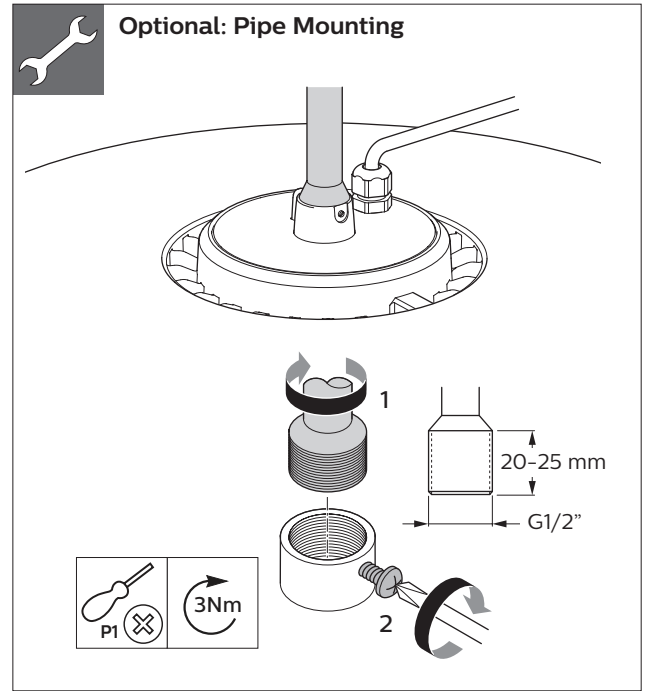
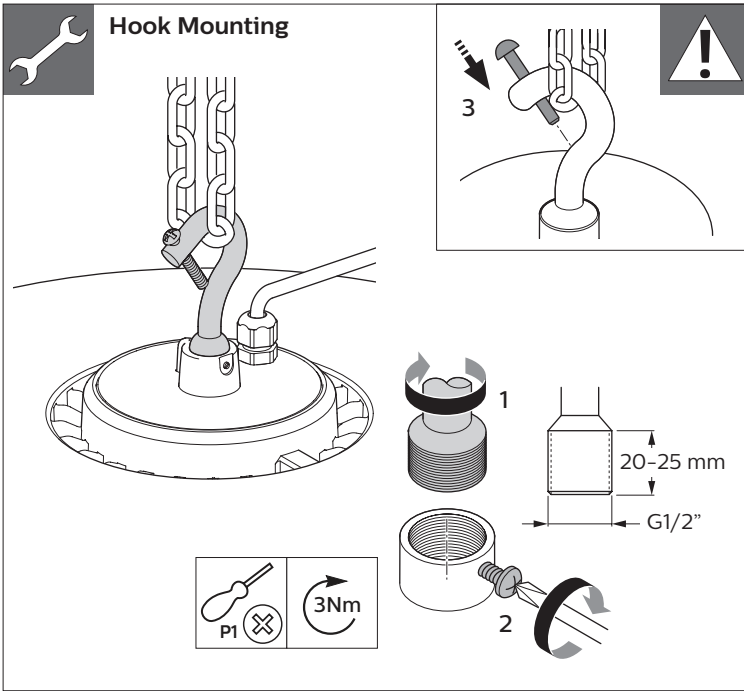
	System			Optics	Dimensions in mm		
	lumen (lm)	CCT	Pmax (W)		D	H	
BY120P LED100S PSU	10000		69		385	95	3.3
BY121P LED200S PSU	20000	4000	138	WB	450	95	4.7
BY122P LED250S PSU	25000		172		510	90	5.8

Dimensions in mm

**Optional:**

**Inrush current**

	BY120P	BY121P	BY122P
<b>Electrical characteristics</b>			
Inom (A)	0.33	0.65	0.81
Imax (A)	54	54	64
Tref (µs)	650	650	750
<b>Maximum number of luminaires</b>			
MCB C-16 A	8	8	8



- The luminaire shall be installed by a qualified electrician and wired in accordance with the latest IEE electrical regulations or the national requirements .
- Do not switch on before complete installation.
- The height between luminous surface and ground suggested be more than 5m; and the height between bottom of luminaire and mounting surface must be more than 0.3m.
- If customer require the luminous surface levelness < 1°, the pipe mounting method is recommended, and suggest to use gradienter to precisely measure and adjust.
- If the external flexible cable or cord of this luminaire is damaged. It shall be exclusively replaced by the manufacturer or his service agent or a similar qualified person in order to avoid a hazard.
- The light source contained in this luminaire shall only be replaced by the manufacturer or his service agent or a similar qualified person.
- The corrosive atmosphere or hazardous materials such as sulfur, chlorine, phthalate, etc must be avoided during the use and storage.
- Luminaire don't have any evaluation on additional protection measures to prevent luminaire from high-altitude falling and windproof structure, can't be used as flood and tunnel luminaire.
- Not suitable for use in harsh vibration and often causing vibration or swinging environment. Also not suitable for area prone to hurricane and extreme winds.
- Installer needs to be arrange for the Chain / Pipe for mounting. The default product is supplied with a mounting hook