

Project: \_\_\_\_\_

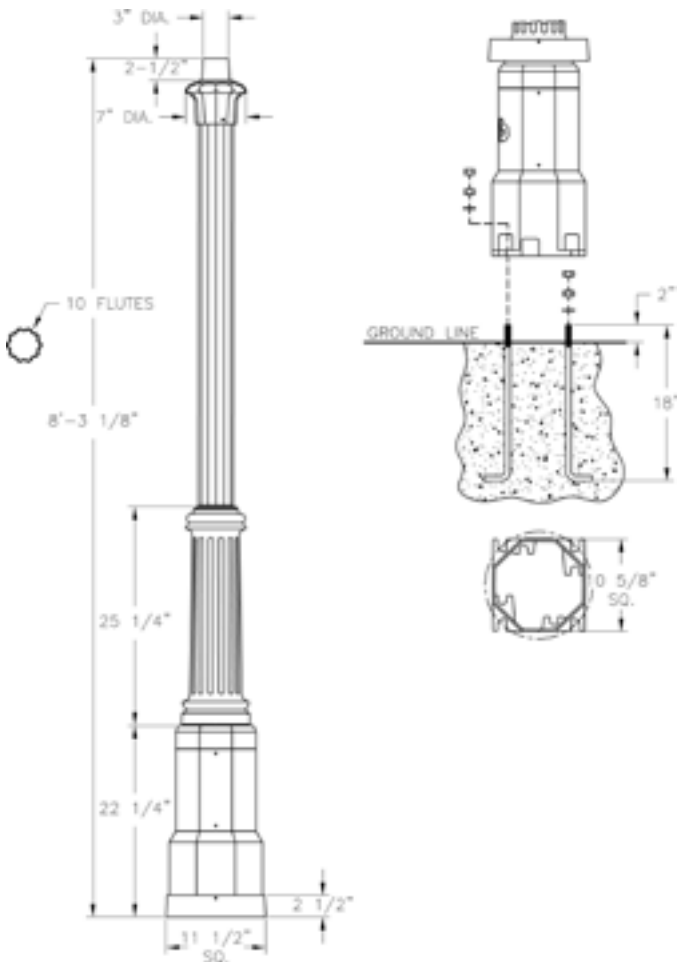
Location: \_\_\_\_\_

Cat.No: \_\_\_\_\_

Type: \_\_\_\_\_

Lamps: \_\_\_\_\_ Qty: \_\_\_\_\_

Notes: \_\_\_\_\_



### Ordering Guide

Example: 318- 8 ABS B B D

Product Code	318-	Anchor Base Post
Height(s)	8 10 12 14	(8 ft.) (10 ft.) (12 ft.) (14 ft.)
Finish	ABS ACP ARD ASI BLK BRN BRZ FGN GRA IRN RBZ SRT VBZ VCP VGN VTC WBZ WHT	Antique Brass Antique Copper Antique Red Antique Silver Black Brown Bronze Forest Green Granite Ironstone Rustic Bronze Shadow Rust Verde Bronze Verde Copper Verde Vintage Copper Weathered Bronze White
Photoeye (Optional)	B C	120V 208V - 277V
Outlet Location (Optional)	B T	4" from Top of Base 12" from Top of Pole
Outlet Options (Optional)	D G	Standard Duplex GFI Duplex

### Specifications

#### OUTLET:

GFI Duplex Outlet has dual-function indicator light, universal metal weatherproof cover. Weatherproof while in use. Heavy-duty all-metal construction. Lockable security cover. Meets NEC 406.9 (B). Weather resistant. Standard Duplex Outlet has universal metal weatherproof cover. Weatherproof while in use. Heavy-duty all-metal construction. Lockable security cover. Meets NEC 406.9 (B). Weather resistant.

#### CONSTRUCTION:

Cast aluminum octagonal anchor base. Cast aluminum removable access door. Cast aluminum upper base welded to base and post. Round fluted post welded to base. Cast aluminum square cover included with post. Tenon secured to top of post.

#### FINISH:

Resilient TGIC thermoset polyester powdercoat paint is electrostatically applied to every fixture. Specially formulated for Philips Outdoor Lighting, it provides UV protection, and the highest temperature rating in the industry. In addition to the standard color choices shown, a spectrum of custom colors is available.

#### WARRANTY:

Three-year limited warranty.

#### Tenon/Top:

3" O.D.

# 318- Anchor base post

## Pole

### Specifications

---

**Bolt Circle:**

12 3/8" dia.

**Anchor Rods:**

(4) 1/2" dia. x 18" long zinc plated steel

**Base Dimensions:**

11 1/2" sq. x 12 1/4"

**Shaft:**

4" Round Fluted

**Wall Thickness:**

.125"

**Height:**

8', 10', 12', 14'

### Pole EPA Values

---

Windspeed(mph)	Height			
	10'	12'	14'	8'
80	19.7300	14.3100	10.9000	30.0200
110	9.9600	6.9300	4.9700	15.5600
130	7.2600	5.2000	3.5900	10.1300

