

POWER ADAPTER



SAMPLE CATALOG NUMBER: PA-12-7A-10

PA	12	
<u>DESIGNATOR</u> PA – Power Adapter	<u>WIRING CONFIGURATION</u> 7A – A Tap 7B – B Tap 7C – C Tap 7M – A & B Tap 7N – 2 circuit/2 neutral 8A – A Tap 8B – B Tap 8M – A & B Tap Note: 7 indicates equipment ground component. 8 indicates isolated ground component.	
	<u>VOLTAGE</u> 12 – 120v	<u>LENGTH</u> Blank – 3 inches 10 – 10'

APPLICATION

- Receptacle power adapter is the link between the power circuit distribution and the receptacle.
- It mounts to a junction box in a standard 1/2" (7/8" diameter) knockout.

ELECTRICAL

- UL/cUL listed.

CONSTRUCTION

- Adapter is 2-13/16"x 2-13/16"x 13/16".
- Male (power in) and female (power out) configuration.
- Die cast housing with zinc plated steel cover plate.
- Receptacle taps are #12 AWG THHN solid copper conductors, 600 volt, with 6" pig-tail leads.
- Thru-wired for three circuits, two circuits with isolated ground.

Job Name:

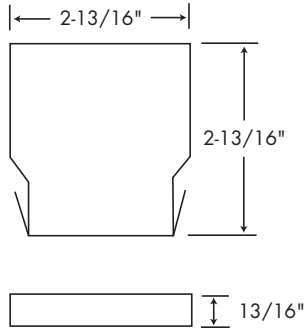
Catalog Number:

Type:

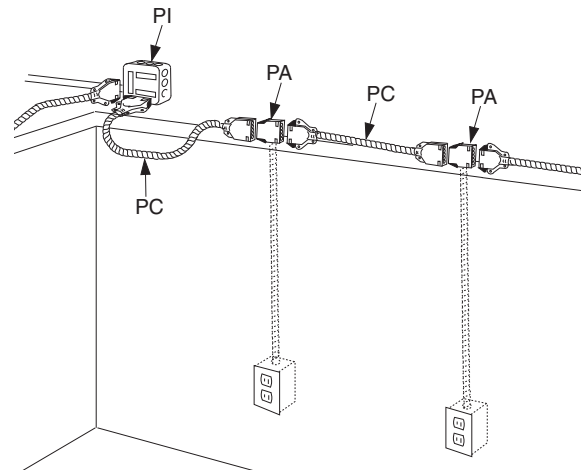
Notes:

ecp5020

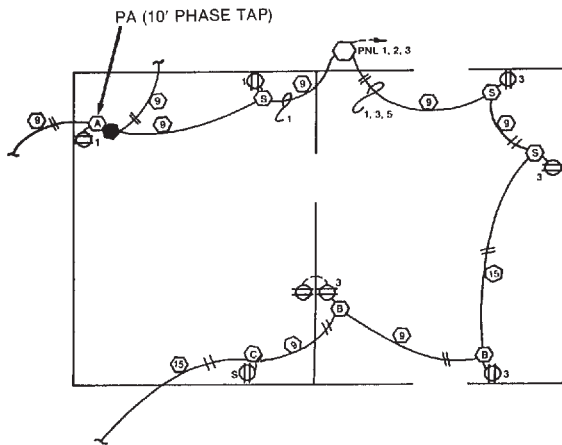
DIMENSIONS



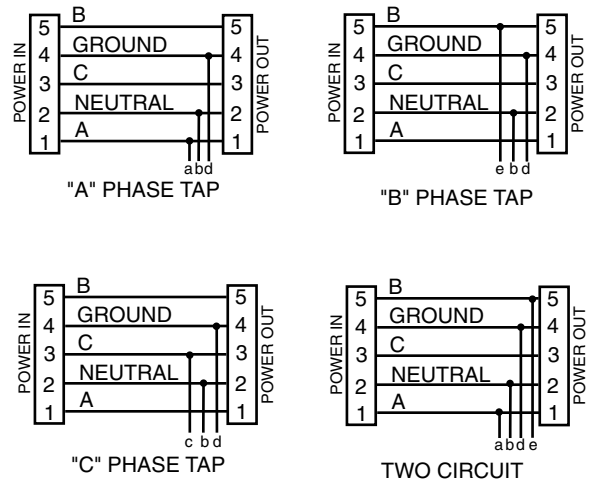
APPLICATION



WIRING



WIRING DIAGRAM



COLOR LEGEND	TYPE 7	TYPE 8
a	Black	Black
b	White	White
c	*Blue	Green/Yellow
d	Ground	Ground
e	Red	Red

***Exception:** In Two Circuit, Two Neutral Application of Type 7, wire **c** will be grey or white with a black stripe.