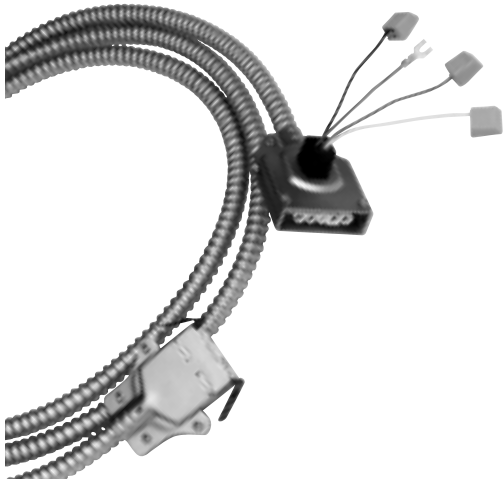


REDDY-CONNECT CABLES "D" SERIES



SAMPLE CATALOG NUMBER: RC-27-1D-09

RC	
DESIGNATOR	WIRING CONFIGURATION
RC – Reddy-Connect Cable	1D – 1 circuit 2D – 2 circuit 3D – 3 circuit ND – 2 circuit, 2 neutral
VOLTAGE	LENGTH
12 – 120v 27 – 277v 34 – 347v	05 – 5' 07 – 7' 09 – 9' 11 – 11' 13 – 13' 17 – 17' 21 – 21' 25 – 25' 30 – 30'

APPLICATION

- Combination of external luminaire adapter and armored cable.
- Quick and easy field-installed by plugging ballast leads into "Poke Home" connectors, no wirenuts required.
- Snaps into standard 1/2" knockout.
- Cables can be rotated 180° in either direction for proper cable orientation to prevent strain on connection. Connection of all Electro/Connect parts are easily visible by its male-to-female profile configuration.
- Reddy-Connect cables add a maximum of 7/8" to luminaire height, available in 1, 2 or 3 circuits.

ELECTRICAL

- UL/cUL listed.
- IBEW labeled.
- Suitable for use in return air spaces above suspended ceilings in accordance with 1999 N.E.C. 300-22 (c) and 604-3.
- Meets UL requirements for making or breaking under load.
- Pin and socket contacts.

CONSTRUCTION

- Rated for 20 amp 120, 277, and 347 volt lighting circuits.
- Connector polarized and color-coded for voltage function to prevent mismatching of components.
- #12 AWG THHN stranded copper, 600 volt.
- Luminaire taps that are #18 AWG TFN solid copper conductors, connected to "Poke-Home" connectors.
- Positive latching steel spring latches engage with easy push action.

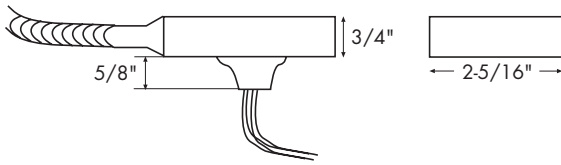
Job Name:

Catalog Number:

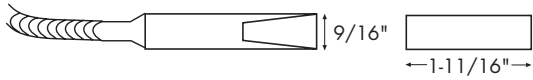
Type:

Notes:

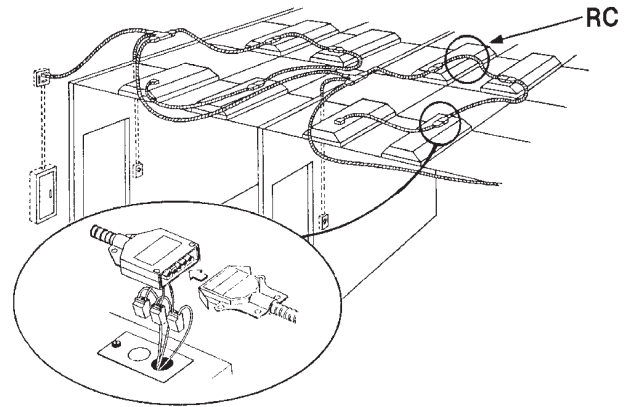
DIMENSIONS



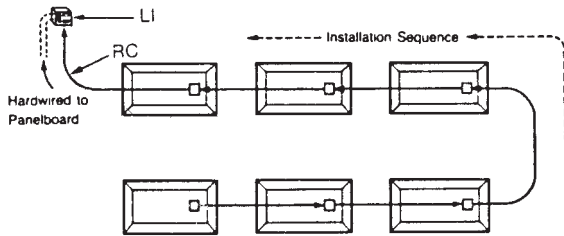
*When installed, RC cable adds 7/8" to luminaire height.



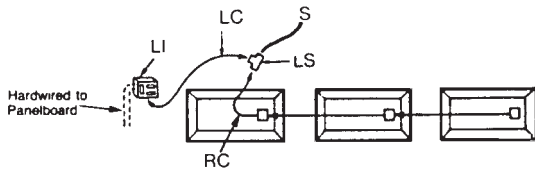
APPLICATION



WIRING

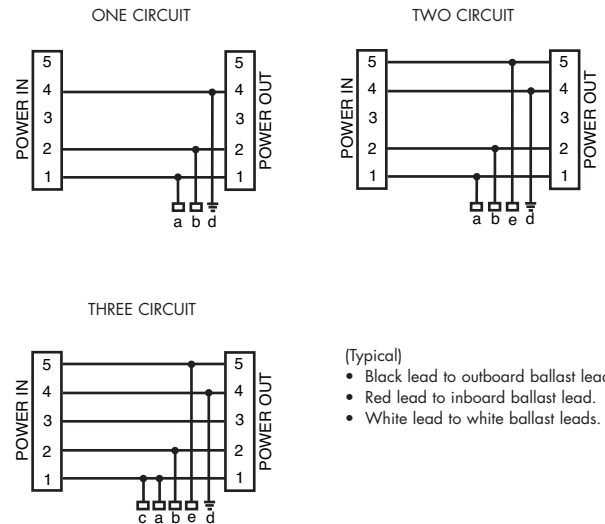


Panelboard Switching (Typical)



Local Switching (Typical)

WIRING DIAGRAM



- (Typical)
- Black lead to outboard ballast lead.
 - Red lead to inboard ballast lead.
 - White lead to white ballast leads.

WIRING COLOR LEGEND	
a	black
b	white
c	blue
d	ground
e	red