

# Day-Brite

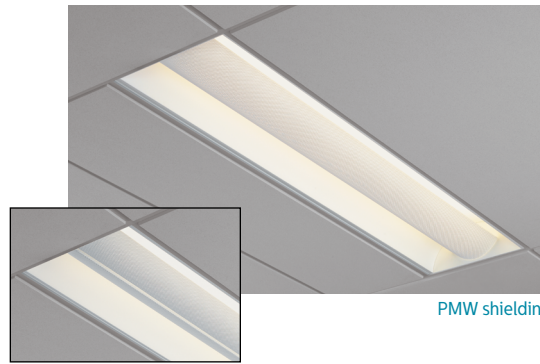
CFI

by Signify

## Recessed

Arioso perf 1x4

T5, T5HO, or T8



Project: \_\_\_\_\_  
 Location: \_\_\_\_\_  
 Cat.No: \_\_\_\_\_  
 Type: \_\_\_\_\_  
 Lamps: \_\_\_\_\_ Qty: \_\_\_\_\_  
 Notes: \_\_\_\_\_

The Day-Brite / CFI Arioso recessed perf offers simple clean lines in combination with soft natural illumination. With micro-perforated baskets and contoured seamless reflectors, this series focuses on providing smooth comfortable lighting while subtly complementing the space. Flexible enough to integrate with any architectural design, Arioso recessed provides a soft unassuming glow with comfortable illumination to optimize work and recreational activities.

### Ordering guide

Example: 1AVG232-PMW-UNV-1/2-EBLHE-LPT835HL

Width	Family	Ceiling Type	No. of Lamps (not included)	Lamp Type	Shielding	Voltage	Options
1	AV	G		—	—	—	
1 1'	AV Arioso recessed perf	G Grid	1 2	28 28WT5 (46") 32 32WT8 (48") 54HO 54WT5HO (46")	PMW Perforated metal w/ white overlay SPMW 2-piece perforated metal with white overlay	120 277 347 UNV Universal Voltage 120-277V	1/1 One 1-lamp ballast 1/2 One 2-lamp ballast EB Electronic ballast, <10% THD, std. ballast factor EB10R T8 electronic ballast, program rapid start, <10% THD EBHE T8 electronic ballast, high efficiency, std. ballast factor EBLHE T8 electronic ballast, high efficiency, low ballast factor EBHHE T8 electronic ballast, high efficiency, high ballast factor EBSD T8 electronic step dimming ballast, .88 ballast factor EBD7 Advance Mark 7 dimming ballast, 0-10V (low voltage) control EBDX Advance Mark 10 dimming ballast, phase control EBD Electronic dimming ballast, customer specified E1 B100 emerg. ballast, T8, 350-450 lumens, 120/277V E1CAN B100-CAN emerg. ballast, Canada market, T8, 350-450 lumens, 120/347V E7 B60 emerg. ballast, T8, 600-700 lumens, 120/277V E5 B50 emerg. ballast, U.S. or Canada market, T8, 1100-1400 lumens, UNV ESCAN B50-CAN emerg. ballast, Canada market, T8, 1100-1400 lumens, 120/347V E5ST B50ST emerg. ballast w/self test, T8, 1100-1400 lumens, UNV E7LP LP550 emerg. ballast T5/T5HO, 430-700 lumens, 120/277V E6LP LP600 emerg. ballast U.S. or Canada market, T5/T5HO, 750-1325 lumens, 120/277V F1 3/8" flex 3 wire, 18 gauge 6' F2 3/8" flex 4 wire, 18 gauge 6' F2/5W 3/8" flex, 5 wire 18 gauge 6' GLR Fusing, fast blow LPT830 Installed T8/T5/T5HO lamps, 80+ CRI, 3000K LPT835 Installed T8/T5/T5HO lamps, 80+ CRI, 3500K LPT841 Installed T8/T5/T5HO lamps, 80+ CRI, 4100K LPT830HL Installed T8/T5 high lumen lamps, 80+ CRI, 3000K LPT835HL Installed T8/T5 high lumen lamps, 80+ CRI, 3500K LPT841HL Installed T8/T5 high lumen lamps, 80+ CRI, 4100K CHIC Chicago plenum rated

### Accessories (order separately)

- AVHD Hold down clips
- FMA14 1'x4' "F" mounting frame for NEMA "F" mounting



# 1AVG Arioso recessed perf 1x4

T5, T5HO or T8

## Application

- Architectural recessed direct/indirect lighting for glare-free illumination.
- Suitable for grid inverted T (NEMA "G") ceilings. Flange type ceilings (NEMA "F") require independently mounted flange kits (FMA).
- Fully recessed mounting, suitable for row mounting.

## Construction/Finish

- No visible welding, screws, latches, springs, hooks, rivets or plastic supports.
- Soft white baked enamel finish.
- Easy ballast access through removable back reflector.
- Optional hold down clips available (order separately: cat # AVHD).

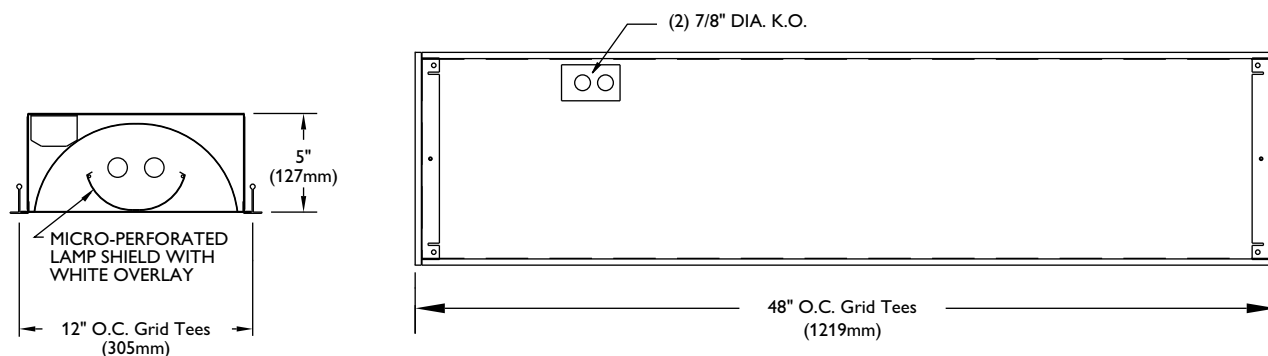
## Electrical

- cULus listed for damp locations.
- Self-contained fluorescent emergency power pack can be incorporated.

## Enclosure

- Choice of one-piece (PMW) or two-piece (SPMW) lamp shield configuration.
- Micro-perforated mesh lamp shield provides soft awareness of light source.
- Soft white overlay on inside of micro-perforated mesh conceals lamp image and balances between reflected and direct light.
- Swing down lamp shield for easy relamping.
- Lamp shield end trim is included with PMW models for field installation if desired (not required).

## Dimensions



Some luminaires use fluorescent or high intensity discharge (HID) lamps that contain small amounts of mercury. Such lamps are labeled, "Contain Mercury" and/or the symbol "HG". Lamps that contain mercury must be disposed of in accordance with local requirements. Information regarding lamp recycling and disposal can be found at [www.lamprecycle.org](http://www.lamprecycle.org)

# 1AVG Arioso recessed perf 1x4

T5, T5HO or T8

## Photometry

### Arioso recessed perf (PMW) 1x4 2 lamp T8

Efficiency – 54.0%

LER – 48

TER – 43

<b>Catalog No.</b> 1AVG232-PMW-1/2-EB <b>Test No.</b> 20035 <b>S/MH</b> 1.3 <b>Lamp Type</b> F32T8 <b>Lumens/Lamp</b> 2850 <b>Ballast Factor</b> 0.88 <b>Input Watts</b> 56  Comparative yearly lighting energy cost per 1000 lumens – \$5.00 based on 3000 hrs. and \$.08 pwr KWH.  The photometric results were obtained in the Day-Brite laboratory which is NVLAP accredited by the National Institute of Standards and Technology.	<b>Candlepower</b>				<b>Light Distribution</b>				<b>Average Luminance</b>			
	<b>Angle</b>	<b>End</b>	<b>45</b>	<b>Cross</b>	<b>Degrees</b>	<b>Lumens</b>	<b>% Lamp</b>	<b>% Luminaire</b>	<b>Angle</b>	<b>End</b>	<b>45'</b>	<b>Cross</b>
0	1171	1171	1171	0-30	92	16.0	29.6	45	3512	3431	3109	
5	1167	1168	1166	0-40	1489	26.1	48.4	55	3342	2941	2500	
10	1153	1153	1153	0-60	2536	44.5	82.4	65	3165	2219	2226	
15	1127	1129	1131	0-90	3078	54.0	100.0	75	2856	1768	1793	
20	1079	1083	1085					85	2020	1322	1212	
25	1047	1052	1052									
30	991	997	989									
35	927	933	904									
40	855	854	798									
45	776	758	687									
50	690	646	566									
55	599	527	448									
60	506	404	371									
65	418	293	294									
70	325	215	217									
75	231	143	145									
80	137	83	81									
85	55	36	33									

### Arioso recessed perf (SPMW) 1x4 2 lamp T8

Efficiency – 52.6%

LER – 45

TER – 40

<b>Catalog No.</b> 1AVG232-SPMW-1/2-EB <b>Test No.</b> 26733 <b>S/MH</b> 1.3 <b>Lamp Type</b> F32T8 <b>Lumens/Lamp</b> 2850 <b>Ballast Factor</b> 0.88 <b>Input Watts</b> 59  Comparative yearly lighting energy cost per 1000 lumens – \$5.33 based on 3000 hrs. and \$.08 pwr KWH.  The photometric results were obtained in the Day-Brite laboratory which is NVLAP accredited by the National Institute of Standards and Technology.	<b>Candlepower</b>				<b>Light Distribution</b>				<b>Average Luminance</b>			
	<b>Angle</b>	<b>End</b>	<b>45</b>	<b>Cross</b>	<b>Degrees</b>	<b>Lumens</b>	<b>% Lamp</b>	<b>% Luminaire</b>	<b>Angle</b>	<b>End</b>	<b>45'</b>	<b>Cross</b>
0	1100	1100	1100	0-30	873	15.3	29.0	45	2907	2923	2527	
5	1100	1100	1087	0-40	1440	25.3	47.9	55	2876	2472	1872	
10	1088	1092	1080	0-60	2477	43.5	82.4	65	2814	1668	1547	
15	1066	1073	1067	0-90	3006	52.7	100.0	75	2651	1352	1289	
20	1034	1047	1046					85	1976	988	895	
25	995	1017	1016									
30	947	973	969									
35	893	922	897									
40	830	856	789									
45	764	768	664									
50	689	659	528									
55	613	527	399									
60	531	396	307									
65	442	262	243									
70	352	192	182									
75	255	130	124									
80	157	76	72									
85	64	32	29									

