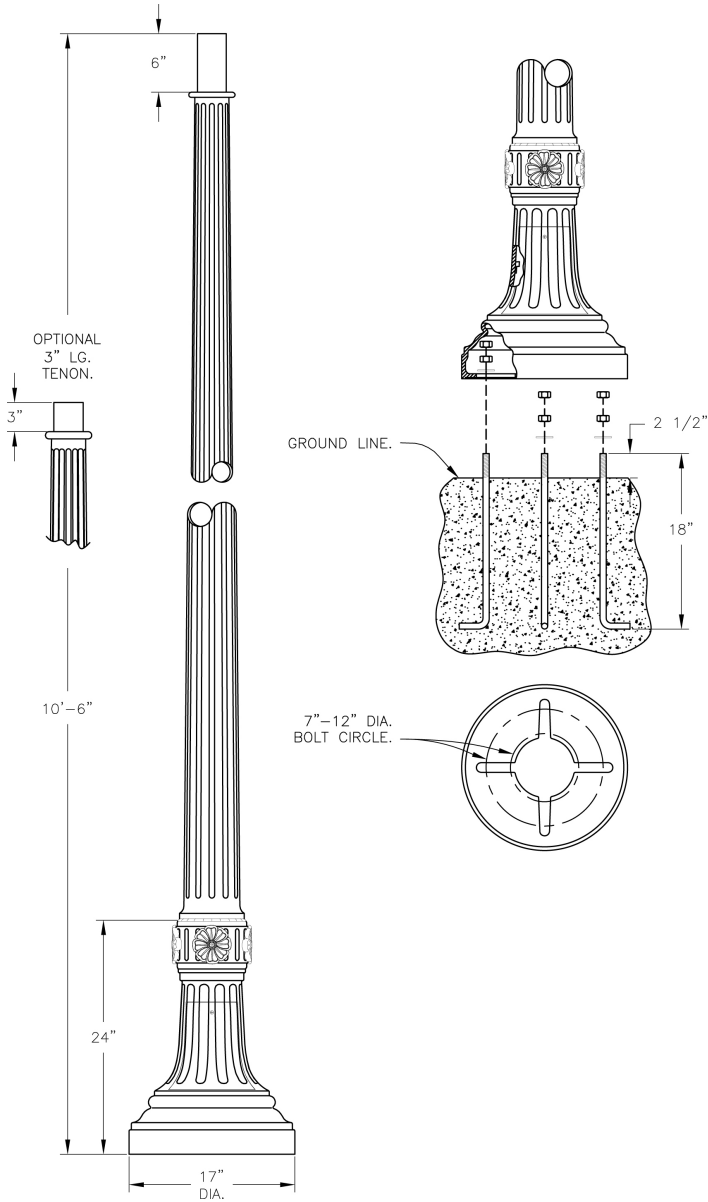


# Anchor Base Post (781-) Specification Sheet

|               |              |            |
|---------------|--------------|------------|
| Project Name: | Location:    | MFG: Hadco |
| Fixture Type: | Catalog No.: | Qty:       |



## Ordering Guide

Example: 781- 10 ABS 3 B B

|                                   |  |   |
|-----------------------------------|--|---|
| <b>Product Code</b>               | 781-   | Anchor Base Post  |
| <b>Height(s)</b>                  | 10<br>12   | (10 ft.)<br>(12 ft.)  |
| <b>Finish</b>                     | ABS<br>ACP<br>ARD<br>ASI<br>BLK<br>BRN<br>BRZ<br>FGN<br>GRA<br>IRN<br>RBZ<br>SRT<br>VBZ<br>VCP<br>VGN<br>VTC<br>WBZ<br>WHT | Antique Brass<br>Antique Copper<br>Antique Red<br>Antique Silver<br>Black<br>Brown<br>Bronze<br>Forest Green<br>Granite<br>Ironstone<br>Rustic Bronze<br>Shadow Rust<br>Verde Bronze<br>Verde Copper<br>Verde<br>Vintage Copper<br>Weathered<br>Bronze<br>White |
| <b>Tenon Option</b>               | 3<br>4   | 3" dia.<br>4" dia.  |
| <b>Photoeye (Optional)</b>        | B<br>C   | 120V<br>208V - 277V   |
| <b>Outlet Location (Optional)</b> | B<br>T   | 4" from Top of Base<br>12" from Top of Pole   |

## Specifications

### CONSTRUCTION:

Cast aluminum anchor base. Cast aluminum removable access door. Tapered post welded to base. Four cast aluminum rosettes secured to base. Tenon part of post top.

### FINISH:

Resilient TGIC thermoset polyester powdercoat paint is electrostatically applied to every fixture. Specially formulated for Hadco Outdoor Lighting, it provides UV protection, and the highest temperature rating in the industry. In addition to the standard color choices shown, a spectrum of custom colors is available.

### WARRANTY:

Three-year limited warranty.

# Anchor Base Post (781-) Specification Sheet

|               |              |            |
|---------------|--------------|------------|
| Project Name: | Location:    | MFG: Hadco |
| Fixture Type: | Catalog No.: | Qty:       |

**Tenon/Top:**  
3" O.D.

**Bolt Circle:**  
12" dia.

**Anchor Rods:**  
(4) 3/4" dia. x 15" long zinc plated steel

**Base Dimensions:**  
17" dia. x 24"

**Shaft:**  
5" to 3" Tapered

**Wall Thickness:**  
.250"

**Height:**  
10', 12'

## Pole EPA Values

| Windspeed(mph) | Height  |         |
|----------------|---------|---------|
|                | 10'     | 12'     |
| 80             | 32.5600 | 26.5200 |
| 110            | 16.4500 | 13.0900 |

