

Stonco

by @ignify

Wall Mount

LytePro LED

Small wall sconce LPW16



Project: _____
Location: _____
Cat.No: _____
Type: _____
Lamps: _____ Qty: _____
Notes: _____

Stonco LytePro LED small wall sconce LPW16 features outstanding value in a compact, architectural design. This wall sconce features state-of-the-art, long-life and maintenance savings, in a combined discreet LED package with high precision over-optic design. This powerful and precise combination offers outstanding energy savings with excellent photometric performance. LPW16 is ideal for entryways and corridors in addition to wall lighting applications requiring strong lateral spacing and forward pattern projection.

Stocked luminaires – Ordering guide (LPW16 products are only available in the following stock luminaire configurations shown)

Catalog Number	Description	Master Pack, Qty	UPC Code
LPW16-58BZ	LPW16, 30W, 530mA, 4000K, 120-277V, Bronze textured paint	6	786034960540
LPW16-51BZPCB	LPW16, 30W, 530mA, 4000K, 120V, Bronze textured paint, w/button photocell	6	786034960557
LPW16-78BZ	LPW16, 40W, 700mA, 4000K, 120-277V, Bronze textured paint	6	786034960502
LPW16-78DGY	LPW16, 40W, 700mA, 4000K, 120-277V, Dark gray textured paint	6	786034960489
LPW16-71BZPCB	LPW16, 40W, 700mA, 4000K, 120V, Bronze textured paint, w/button photocell	6	786034960519

Stocked accessories - Ordering guide (Must be ordered separately)

Catalog Number	Description	Master Pack, Qty	UPC Code
LPWCVRPLT-BZ	LPW Universal wall cover mounting plate, Bronze textured paint	(none)	786034960618



LPW16 LytePro LED small wall sconce

Features

LPW16 wall sconce delivers 3,374 lumens at 36W, with an efficacy of 93 lumens per watt. Other wattages available per charts noted below--.

- LP16W-5, 30W LED may effectively replace 70-100W HID luminaires²
- LP16W-7, 40W LED may effectively replace 100-150W HID luminaires¹
- 4000K neutral white at 70 CRI (minimum) is standard
- Button photocell available in 120V, bronze luminaires only
- 5-year limited warranty, see philips.com/warranties for specific details

Performance/Specifications (LP16W-7)

Distribution	Type 3
Initial Lumens	3,374
Average Wattage	36
Lumens/Watt	93
BUG Rating*	B1/U0/G1
Luminaire Weight	~6lbs (2.7Kg)

Performance/Specifications (LP16W-5)

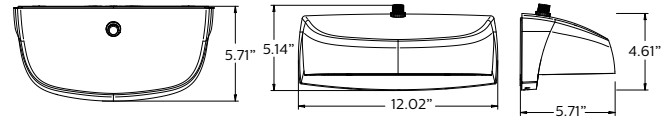
Distribution	Type 3
Initial Lumens	2,698
Average Wattage	28
Lumens/Watt	96
BUG Rating	B1/U0/G1
Luminaire Weight	~6lbs (2.7Kg)

Ratings/Approbations/Certifications

Ingress Protection	IP65 Optical
DLC Listed	DLC QPL
cETLus	Certified for use in wet locations
Rated Ambient Temperature	-40°C (-40°F) to 40°C (104°F)

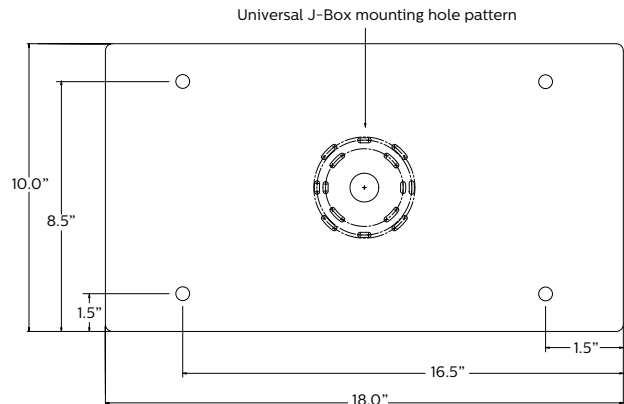
2. Comparable equivalency to HID and other lamp sources depends on multiple criteria including mounting height, fixture spacing, efficiency, performance and classification of the luminaire being replaced and application lighting criteria required for the given project.
3. PCB shown for placement only, available on specific models only (see ordering guide).

Fixture Dimensions³



Accessory Dimensions (ordered separately)

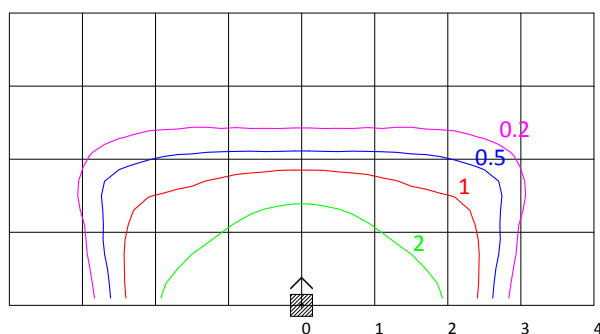
LPWCVRPLT-BZ LPW Universal wall cover mounting plate, 0.08" aluminum, bronze textured paint (used to cover larger pre-existing opening or surfaces, field installed). Offers same J-Box pattern as luminaire or may lagged to wall using (4) knockouts.



Distribution Pattern

LPW16-7 10' MOUNTING HEIGHT			
MOUNTING HEIGHT	8'	10'	12'
MULTIPLIER	1.60	1.0	0.70

- Isolines shown at 2.0, 1.0, 0.5, & 0.2 FC.
- Choose mounting height. Use MULTIPLIER (X) EXISTING FC VALUE = NEW FC VALUE.
- FC values are based on initial lumen output.
- Gridline spacing is in units of chosen mounting height
- For LPW16-5 configuration, scale down by 29%.



LPW16 LytePro LED small wall sconce

General Description

The Stonco LytePro LED small wall sconce LPW16 combines excellent performance, design and value to meet the needs of the energy and budget conscious. The LPW16 is available for use in downward facing, surface wall mount applications, over recessed j-boxes or where power can be directly fed through back surface, whereby connections splices can be made inside the luminaire housing. Five SKU's are available as in-stock configurations only (2-day quick ship).

40W Model: Two standard units are available in two different finishes. 120V button photocell is available in bronze only. 30W Model: Standard units available in bronze only, with and without photocell. 30W model is California Title 24 compliant.

Housing

Die-cast housing houses both the LED and driver assemblies. Design incorporates an integrated heat sink to maximize thermal performance and reliability. Backplate is corrosion free, composite polycarbonate, with built-in level bubble, offers integral interlocking hook and mount design for easy installation.

Mounting

Easy interlocking hook and mount housing/backplate design for easy installation. Mounts over 3.5", 4" octagonal j-boxes and single gang switch boxes or can be directly lagged to surface. Ensure proper steps for gasket/sealing luminaire to surface.

IP Rating

Optical compartment is IP65 rated.

LED Board and Array

Provides up to 93 lm/W in LPW16-7 and 96 lm/W in LPW16-5 at the system level. Standard color temp is 4000K +/- 250K, minimum 70 CRI.

Electrical

Driver efficiency (>90% standard). 120-277V. Temp range: -40°C (-40°F) to 40°C (104°F). Open/short circuit protection. Inherent surge protection up to (4KVA). RoHS compliant.

Listings

Product is cETLus listed suitable for Wet Locations. Suitable for use in ambients from -40°C to 40°C (-40°F to 104°F). DesignLights Consortium® qualified. Stocked SKUs of the LPW family are made in China.

Finish

Each luminaire receives a fade and abrasion resistant, electrostatically applied, thermally cured, triglycidal isocyanurate (TGIC) textured polyester powdercoat finish.

Warranty

LPW16 luminaires, the LED arrays, and the drivers are all covered by a 5-year limited warranty. See philips.com/warranties for details.

LED Performance:

PREDICTED LUMEN DEPRECIATION DATA^{4,6}

Ambient Temp. °C	Calculated L70 hrs ⁵	Reported L70 Per TM-21 ^{5,6}	Calculated Lumen Maint. % @60,000 hrs
up to 40°C	>200,000 hrs	>60,000 hrs	94.0%

4. Calculated performance derived from LED manufacturer's data and engineering design estimates, based on IESNA LM-80 methodology.

Actual experience may vary due to field application conditions.

5. L70 is the predicted time when LED performance depreciates to 70% of initial lumen output.

6. Reported per IESNA TM21-II. Published L70 hours limited to 6 times actual LED test hours.

