

Day-Brite

CFI

by Signify

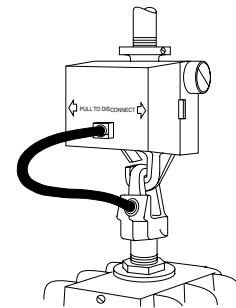
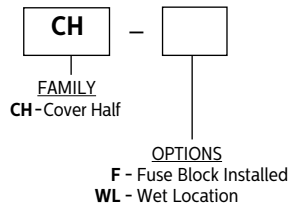
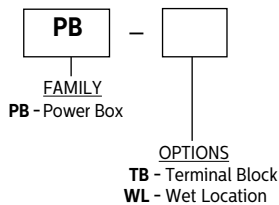
Industrial

Power hook / outlet box

Accessories

Project: _____
Location: _____
Cat.No: _____
Type: _____
Lamps: _____ Qty: _____
Notes: _____

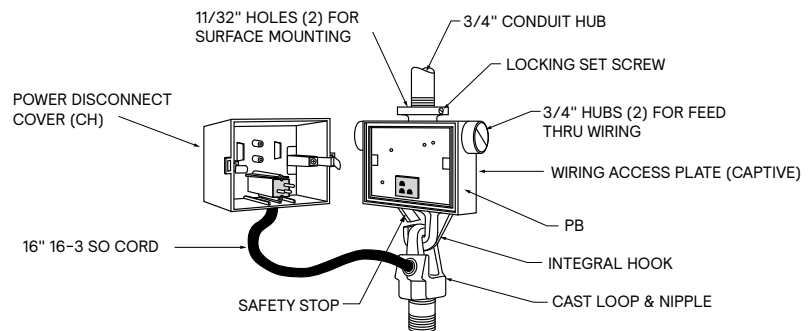
Ordering Matrix



Notes:
Power box and cover half are ordered and shipped separately.
Fuses are not supplied unless specified.

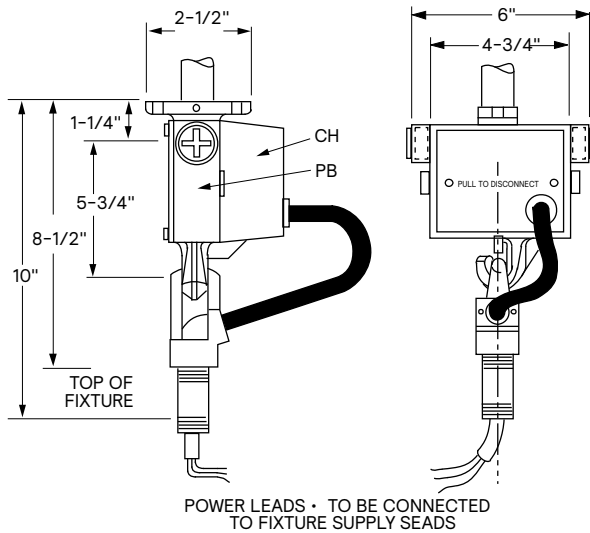
Product Features

- Die cast aluminum box and cover assembly.
- Provisions for pendant and through feed 3/4" NPS mounting or surface mounting using two 5/16" bolts.
- UL Listed load break device.
- Receptacle and plug with grounding pin provides a "positive ground". 10 amp UL listed device with 600 volt max. disconnect plug.
- Universal voltage: 120 thru 480V
- Optional terminal block for incoming wiring connections.
- Optional fuse block mounted in cover (load side). When cover is removed, fuses are de-energized. Fuses not supplied unless specified.
- Optional UL Listed for wet location. Add suffix "-WL".

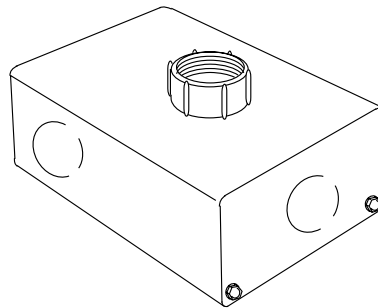
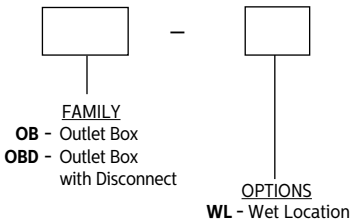


PB/OB Power hook / outlet box

Dimensions

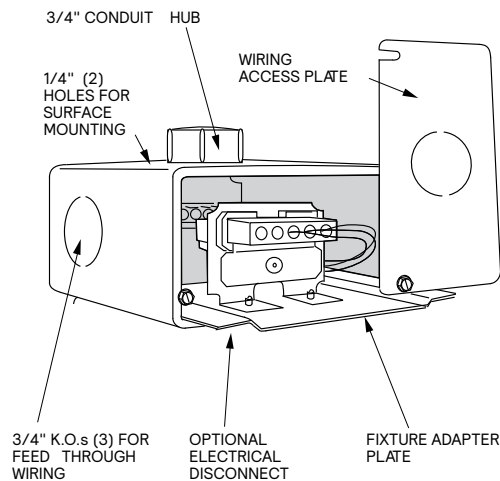


Ordering Matrix



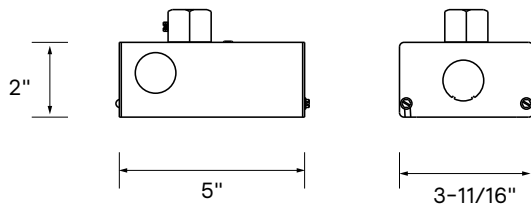
Product Features

- Low profile aluminum extrusion with white polyester powder finish.
- Provisions for pendant and through feed 3/4"
- NPS mounting or surface mounting using two 1/4" bolts.
- 3/4" knockouts on sides for through feed wiring.
- UL Listed load break device (OBD).
- 10 amp UL listed device with 600 volt max. disconnect plug. (OBD)
- Universal voltage:120 thru 480V



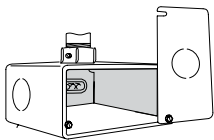
PB/OB Power hook / outlet box

Dimensions

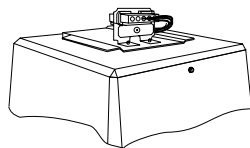


Installation Instructions

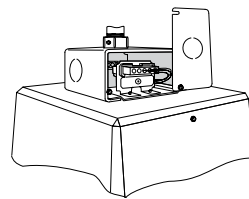
1. Install outlet box (pendant or surface mount).



2. Install slide plate on top of ballast housing with three screws (provided).



3. Slide fixture onto outlet box.



4. Close access plate.

