

CHLORIDE

by  Signify



Exit/Emergency

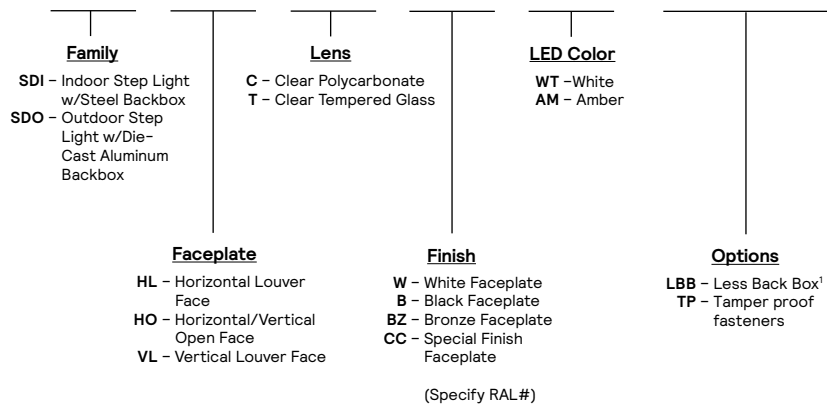
SD series

LED die-cast step light



Project:	
Location:	
Cat.No:	
Type:	
Lamps:	Qty:
Notes:	

Example: SDIHLWWT



Footnotes

¹ Step Lights specified with the LBB option will contain the louver/faceplate and specified lens only. The back box to be ordered separately (see accessories).

Accessories (order separately)

Back Boxes - to be ordered separately if "LBB" option is specified
SDIWTBB - Indoor Back Box, White LEDs
SDIAMBB - Indoor Back Box, Amber LEDs
SDOWTBB - Outdoor Back Box, White LEDs
SDOAMBB - Outdoor Back Box, Amber LEDs

codes and standards

- ETL Listed (US/Canada)
- ETL wet location listing for die-cast back box only
- ADA compliant
- LM-79 compliant photometry

construction

- Steplight back boxes shall be constructed of die-cast aluminum alloy or 18-gauge cold rolled steel in baked white powder coat finish. The housing body shall have two cable entries to facilitate wiring. Concrete tight 1/2" conduit fitting provided with diecast back box: 7/8" knockout for steel back box. Diecast back box is suitable for wet locations.
- Lens is .125" clear tempered glass or clear polycarbonate lens (high density, U.V. stabilized and impact resistant).
- A closed cell, weather proof gasket is secured to the back box with two screws.
- Faceplate is constructed of die cast aluminum alloy.
- The faceplate is a baked powder coated paint finish.
- Available in white, black, dark bronze, and special color finishes (Specify RAL#).

installation

- Indoor model backboxes mount in wood stair cavities and standard stud construction walls by means of mounting brackets (supplied).

- Outdoor model backboxes are suitable for poured concrete stair and wall installations.
- Knockouts are provided on both sides of the unit backbox for conduit attachment.
- Stainless steel Allen Head Tamperproof screws are standard. Optional stainless steel Allen head center pin reject tamperproof fasteners are available.
- Back Box may be ordered separately for installing during rough-in-stage of project. Specify the LBB option in catalog number for the louver faceplate and specified lens. Order either the SDIBB or SDOBB for the back box that contains the electronics.

electronics

- Universal 120/277VAC input
- 61.6mA Line Amps
- 7.15W Input Wattage

lamps

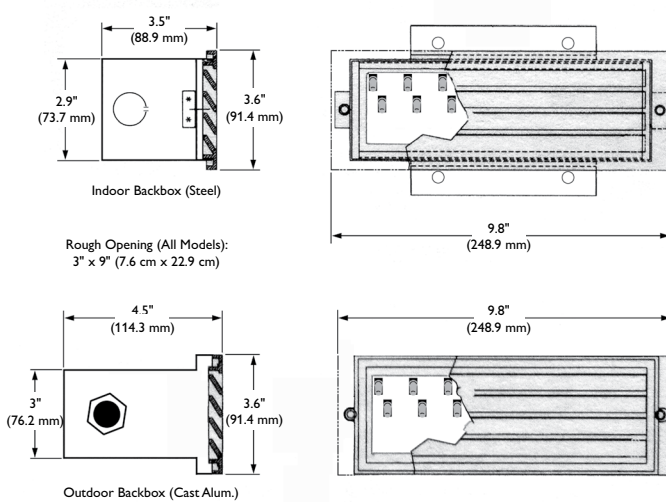
- Available in White (4000K) and Amber LEDs.
- Lamp Life: Rated for 10 years of continuous operation.

warranty

- Unit has 5-years full coverage against defects in materials and workmanship from date of shipment. Lamps excluded.

SD LED die-cast aluminum step light

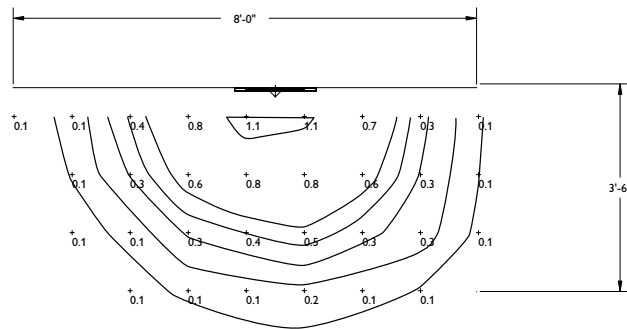
dimensions



photometrics

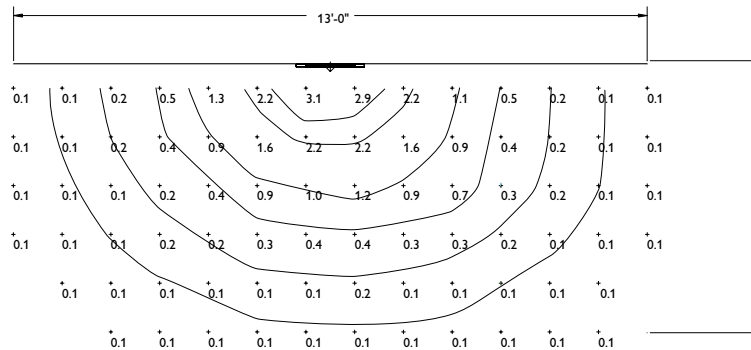
White LED Horizontal Louver with Clear Glass Lens

(Mounted 18" A.F.F.)
 Test No. 30076
 Catalog No. SDI-HL-T-UNV-WT
 LM-79 Absolute Photometry
 Lumen Output: 17 Lumens
 Lamp: 6W LED



White LED Open Face with Clear Glass Lens

(Mounted 18" A.F.F.)
 Test No. 30075
 Catalog No. SDI-HO-T-UNV-WT
 LM-79 Absolute Photometry
 Lumen Output: 70 Lumens
 Lamp: 6W LED



The photometric results were obtained in the Philips Day-Brite laboratory which is NVLAP accredited by the National Institute of Standards and Technology.

Photometric data based on tests performed in compliance with LM-79.

The information presented in this document is not intended as any commercial offer and does not form part of any quotation or contract.

