

Project: _____

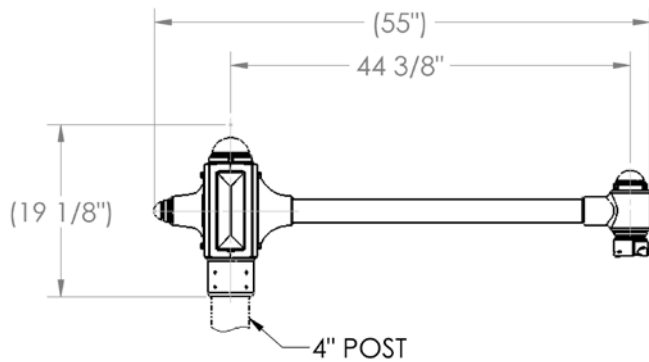
Location: _____

Cat.No: _____

Type: _____

Lamps: _____ Qty: _____

Notes: _____



Ordering Guide

Example: 269 ABS Twist-lock

| Product Code | 269 | Bracket Arm |
|----------------------|------------|-------------------------------|
| Finish | ABS | Antique Brass |
| | ACP | Antique Copper |
| | ARD | Antique Red |
| | ASI | Antique Silver |
| | BLK | Black |
| | BRN | Brown |
| | BRZ | Bronze |
| | FGN | Forest Green |
| | GRA | Granite |
| | IRN | Ironstone |
| | RBZ | Rustic Bronze |
| | SRT | Shadow Rust |
| | VBZ | Verde Bronze |
| | VCP | Verde Copper |
| | VGN | Verde |
| | VTC | Vintage Copper |
| | WBZ | Weathered Bronze |
| | WHT | White |
| Photo Control | Twist-lock | Twist-lock photocell supplied |

Specifications

CONSTRUCTION:

Cast aluminum decorative end cap (removable). Two cast aluminum post cap. 2" dia. aluminum straight arm. Cast aluminum access door. Cast aluminum 4" I.D. post fitter.

FINISH:

Resilient TGIC thermoset polyester powdercoat paint is electrostatically applied to every fixture. Specially formulated for Philips Outdoor Lighting, it provides UV protection, and the highest temperature rating in the industry. In addition to the standard color choices shown, a spectrum of custom colors is available.

MOUNTING:

Fixture mounts to 4" I.D. post.

WARRANTY:

Three-year limited warranty.

Height:
19 1/8"

Width:
55"

Max. Weight:

