

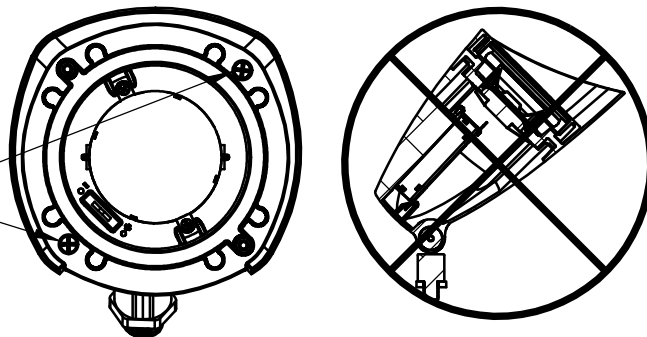
INSTALLATION INSTRUCTIONS:

1. Make sure power is turned OFF before installing or servicing this fixture.
2. This fixture must be mounted to a junction box or mounting stake that is NRTL Listed for line voltage and wet locations. Stake #S3 may be used, other mounting accessories are available by Philips.
3. Remove lens cap by loosening two countersunk screws in order to access the switch and optic lens. Lens and sealing gasket will remain captive to cap.
*Optional - Tamper resistant screws (not supplied). Must acquire a #10-24X1.00" countersunk (82°) screw.
4. Fixture has the "Medium Flood" optic lens pre-installed by factory. To replace with "Narrow Flood" or "Wide Flood" optics, pop optic lens off reflector by using fingernails or screw driver at the [4] tabs (page 1).
Narrow flood lens (20 deg) - supplied in bag, marked along edge of lens with "P".
Medium flood lens (36 deg) - pre-installed, marked along edge of lens with "I".
Wide flood lens (65 deg) - supplied in bag, marked along edge of lens with "S".
Align new optic lens with tabs and push onto reflector until all four locations snap into place.
*Do NOT remove reflector. Reflector protects LED from UV and physical damage.
5. Adjust lumen output switch by sliding the switch to the desired setting. There are [5] different settings ranging from 9.5W to 34W, see chart for approximate lumen values (page 1). Shroud has a "+" and "-" symbol to illustrate wattage level.
6. Shroud can be rotated in 90° increments by removing [2] mounting screws shown.
*Ensure gasket inside shroud is clean of debris.
Once rotated to desired orientation, fasten screws until shroud makes contact with housing.



Note: Shroud may retain water depending on orientation and aiming of fixture. Ensure this doesn't occur or it may void warranty.

MOUNTING
SCREW



7. Replace lens cap inside shroud and fasten screws until cap makes contact with shroud.
*Ensure gasket inside lens cap is clean of debris.
8. Feed wires through hole in stake cap or junction box lid. Screw arm of fixture onto cap or lid. Lock into desired position by tightening arm locknut (supplied).
9. Connect white (neutral) supply wire to white fixture wire, black (hot) supply wire to black fixture wire, and green (ground) supply wire to green fixture wire. Use wire connectors (not supplied) to secure connections.
*Control wires (gray and purple) are crimped to prevent cross wiring. If using a dimming device, then cut ends, strip and connect appropriately.
- See approved dimmer list per Xitanium driver XI036C100V048DNM1 datasheet.
- Consider limitation/impact of long wire runs when installing 0-10V dimming systems.
*Input voltage (VAC): 120 - 277v auto sensing, 50 or 60Hz
*Fixture load: 34W max.
10. Attach cap to stake / lid to box making sure not to pinch wires.
11. Loosen screw in arm, aim fixture as desired and tighten screw.
12. Turn power ON.

WARNING - Mount the luminaire in or on non-combustible mounting surfaces only.

WARNING - Risk of electric shock. Install all luminaires 10 feet (3.05m) or more from a pool, spa or fountain.

REPLACEMENT OPTIONS:

1. Driver kit - includes driver, bracket and screw.
2. Main Lens kit - includes lens and gasket.
3. Optic lens kit - includes [3] optic lenses (reflector not included).
4. Switch kit - includes switch, tie wrap and mounting screws.

DRIVER REPLACEMENT INSTRUCTIONS:

1. Remove lens cap as described above per step #3.
2. Access driver compartment by removing [2] mounting screws (see step #6).
3. Remove driver bracket with single screw to gain access to defective driver.
4. Cut wires or use driver tool to remove defective driver.
5. Restrip wires and/or insert wires into new driver, see wire diagram for Xitanium Driver XI036C100V048DNM1.
*Re-connect wires to surge protector (SP1), if applicable.
6. Place driver back into housing and secure it against the wall with driver bracket and screw.
7. Replace shroud and lens cap with appropriate mounting screws as described above.