

JOB NAME _____

FUSING / HOOK, CORD AND PLUG ASSEMBLIES IA-18020

TYPE _____

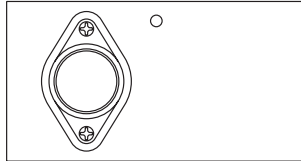
ORDERING MATRIX



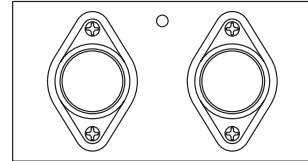
FAMILY

SF - Single Fuse Holder
DF - Double Fuse Holder

SF



DF



Notes:
Type KTK fuse required. Fuses are not supplied unless specified.

ORDERING MATRIX



FAMILY

HP - Hook, Cord and Plug



VOLTAGE

12 - 120
25 - 208, 240
27 - 277
48 - 480

-



LENGTH

3 - 3' Cord
6 - 6' Cord
10 - 10' Cord



OPTIONS

G - Grommeted

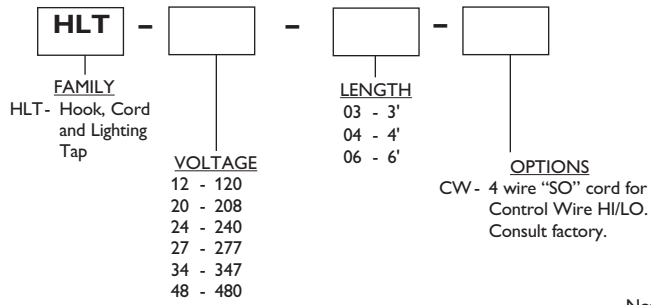
PRODUCT FEATURES

1. NEMA locking plug. 15A plug is standard for 120-277V. 20A plug is standard for 480V.
2. 16/3 Type SO Cord
3. Die cast aluminum hook with 3/4" threaded nipple.



ORDERING MATRIX

IA-18020



Notes:
Consult Electro/Connect Modular Wiring System literature for complete system information.

PRODUCT FEATURES

- 1. Electro/Connect Adapter is zinc plated 18 gauge steel.
- 2. 12/3 Type SEO Cord.
- 3. Die cast aluminum hook with 3/4" threaded nipple.



© 2013 Koninklijke Philips Electronics N.V. All rights reserved.
Specifications are subject to change without notice.
www.philips.com/luminaires

IA-18020 03/13

Philips Lighting Company
200 Franklin Square Drive
Somerset, NJ 08873
Phone: 855-486-2216

Philips Lighting Company
281 Hillmount Road
Markham ON, Canada L6C 2S3
Phone: 800-668-9008