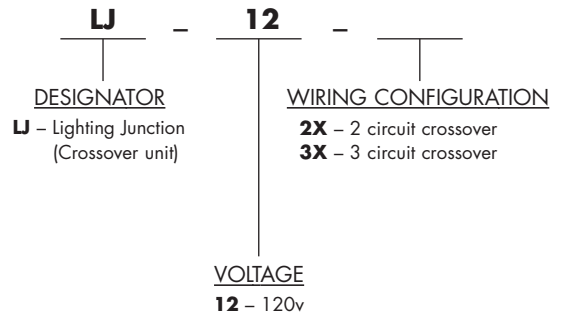


LIGHTING JUNCTION (CROSSOVER UNIT)

SAMPLE CATALOG NUMBER: LJ-12-2X



APPLICATION

- The crossover unit provides a transfer of circuits within a two or three circuit system to:
 1. Introduce an independent switching function at any point in the circuit.
 2. Eliminate paralleling cable runs.

ELECTRICAL

- UL/cUL listed.

CONSTRUCTION

- Unit is low profile, 2-13/16" x 2-13/16" x 13/16".
- Thru-wired for three circuits.
- Die cast housing with zinc plated steel cover plate.
- Internal wires are #12 AWG THHN stranded copper, 600 volt.

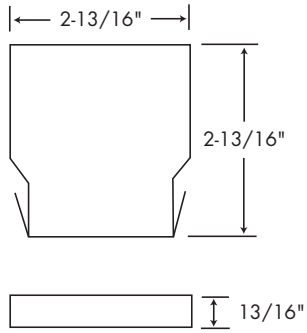
Job Name:

Catalog Number:

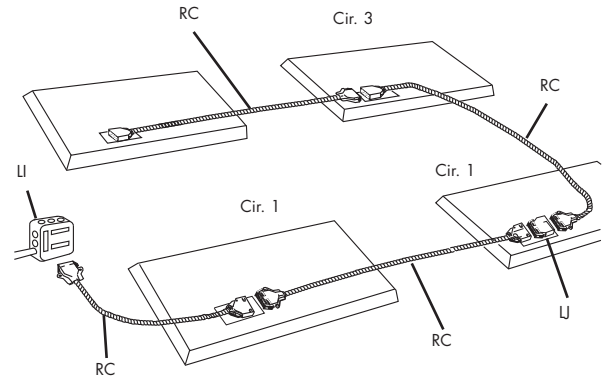
Type:

Notes:

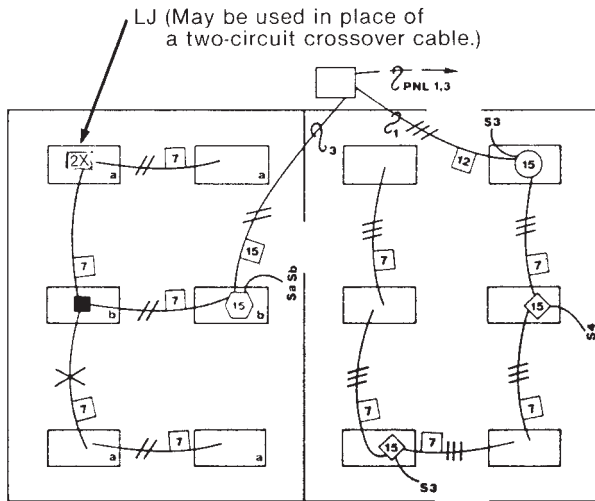
DIMENSIONS



APPLICATION



WIRING



WIRING DIAGRAM

