



DDRC-GRMS

Switching Room Controller

Compact switching controller for single room solutions

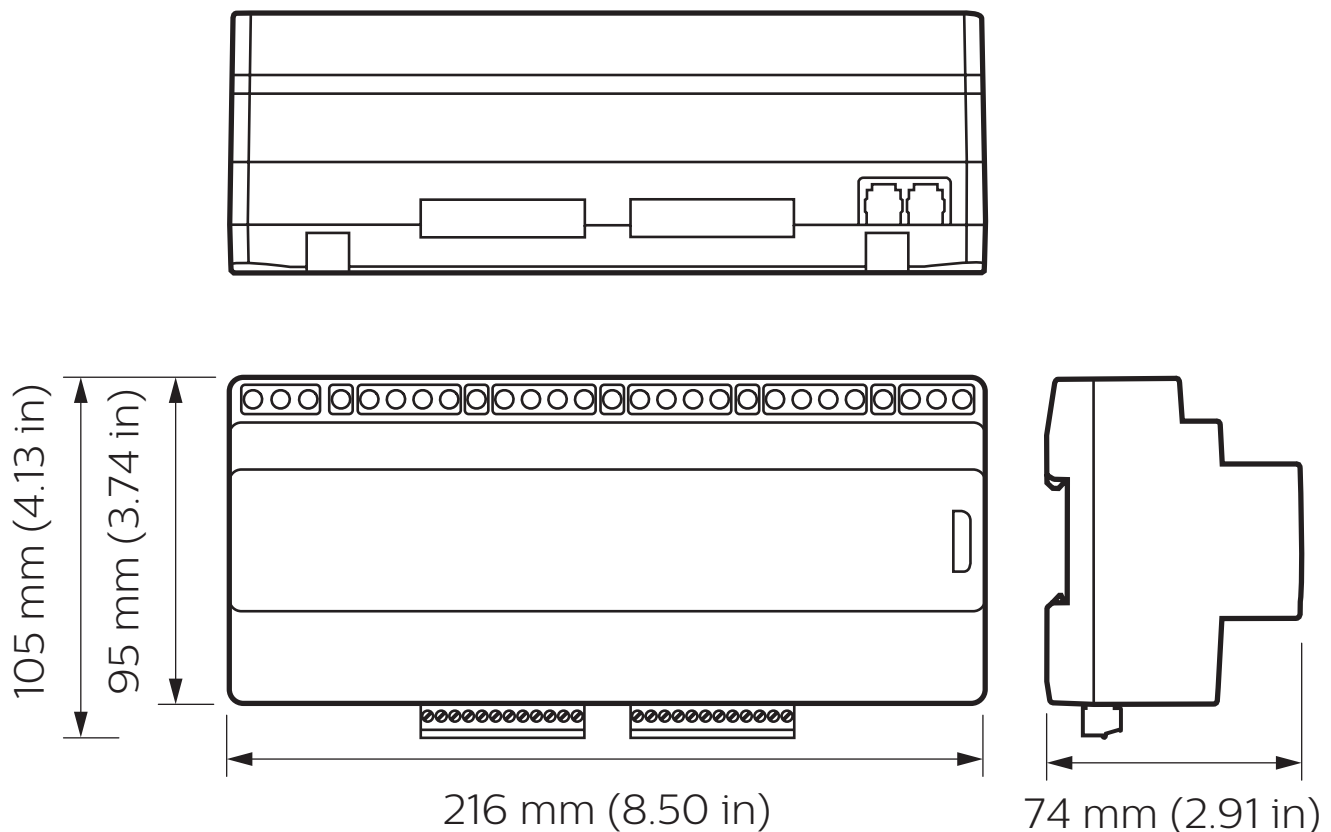
The Philips Dynalite DDRC-GRMS controller is a general room automation and energy management solution. This controller is completely self-contained and requires no external power supply, relays or processor.

DDRC-GRMS

Compact switching controller for single room solutions

- **Dry contact inputs** – The unit receives instructions from button presses or a key card switch.
- **Pre-programmed** – No programming required as the unit is supplied with complex functions such as 'master on/off', 'room unoccupied', 'do not disturb' or 'make up room' already configured.
- **Built-in directional motor relays** – Provides control of motorized blinds for a full automation solution.
- **Two 16 A power relays** – Enables a total energy management solution, reducing standby power consumption by switching off power outlets and air conditioning systems when not required.
- **Up to nine switched channels** – Three groups of common-feed relays allow independent control of multiple lighting circuits and room status indicators.
- **Single box solution** – Provides an economical total energy management solution for hotel guest rooms and suites.

Dimensions



Specifications

Due to continuous improvements and innovations, specifications may change without notice.



DDRC-GRMS
Switching room controller

Electrical

Supply Type	Single-phase
Supply Voltage	100-240 VAC
Supply Current	0.25 A
Outputs	13 x switched relays (See diagram below)
DyNet DC Output Voltage	12 VDC
DyNet DC Output Current	200 mA

Control

Serial Ports	1 x RS485
Supported Protocols	DyNet
Dry Contact Inputs	18
Diagnostic Functions	Device online/offline status
User Controls	1 x service switch
Indicators	1 x service LED

Relay Endurance

CH1 Mechanical	> 5 million cycles
CH1 Resistive Load	> 100,000 cycles
CH1 High Inrush Load	> 25,000 cycles
CH2 Mechanical	> 10 million cycles
CH2 Resistive Load	> 50,000 cycles
CH2 High Inrush Load	> 50,000 cycles (10 A rms / 100 A peak) > 100,000 cycles (5 A rms / 50 A peak)
CH3 Mechanical	> 1 million cycles
CH3 Resistive Load	> 100,000 cycles

Physical

Dimensions (H x W x D)	105 x 216 x 74 mm (4.13 x 3.74 x 2.91 in)
Packed Weight	0.82 kg (1.81 lb)
Construction	Polycarbonate DIN-rail enclosure (12 unit)
Serial Ports	2 x RJ12
Supply Terminals	3 x screw terminal Line, Neutral, Earth
Supply Terminal Conductor Size	5 mm ² (#10 AWG) (max)
Dry Contact Terminals	2 x 12-way pluggable screw terminal
Dry Contact Terminal Conductor Size	1.5 mm ² (#16 AWG) (max)
Output Terminals	19 x screw terminal
Output Terminal Conductor Size	5 mm ² (#10 AWG) (max)

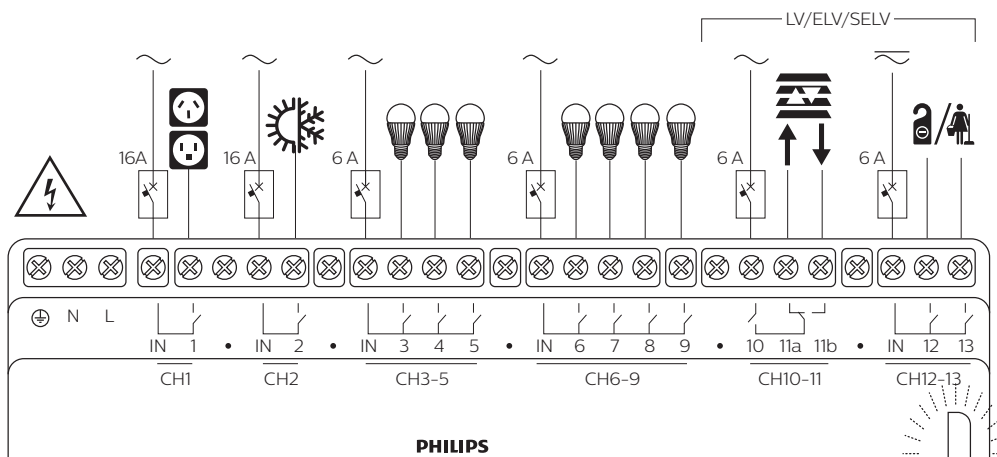
Environment

Operating Temperature	0° to 50°C ambient (32° to 122°F)
Storage/Transport Temperature	-25° to 70°C ambient (-13° to 158°F)
Humidity	0 to 90% non-condensing
IEC Pollution Degree	II

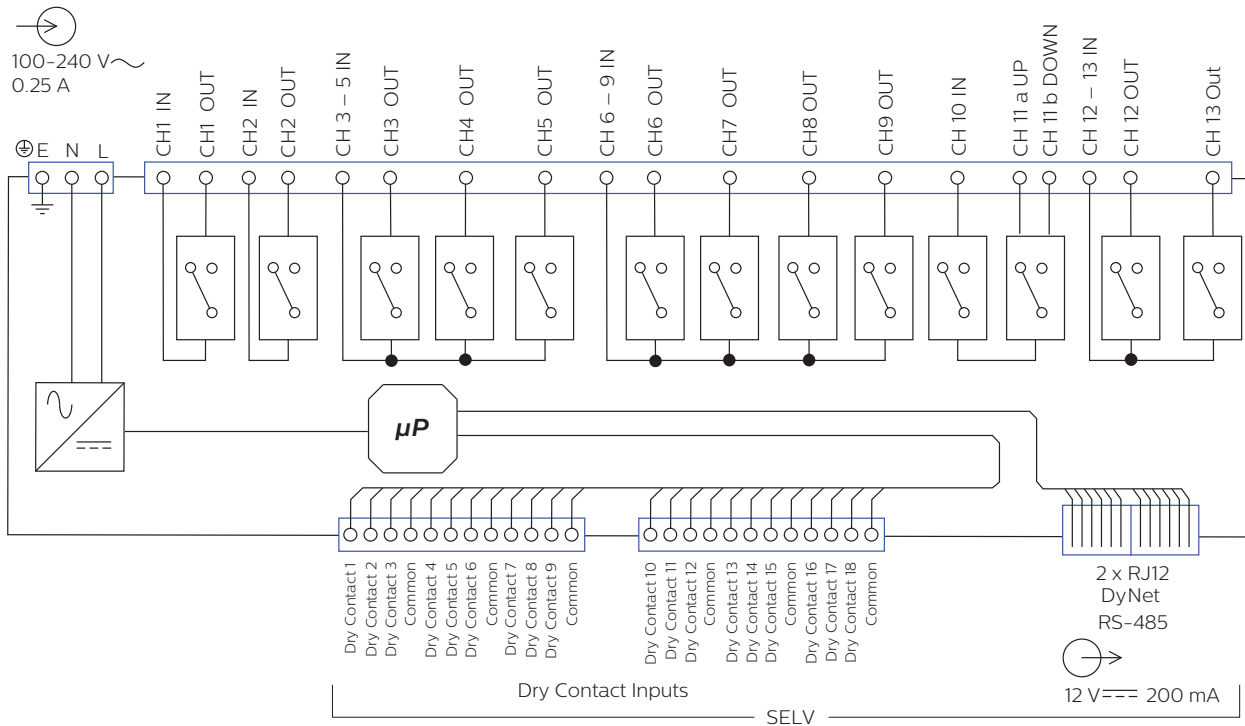
Compliance

Certification	CE, RCM, RoHS
---------------	---------------

Example Output Diagram



Electrical



Output Channel Ratings

Load Type	Maximum Rating per Output				
	CH1	CH2	CH3 - CH5 CH6 - CH9	CH10 - CH11	CH12 - CH13
General Use	16 A, 240 VAC	16 A, 240 VAC	4 A, 240 VAC	6 A, 240 VAC 0.5 A, 30 VDC	4 A, 240 VAC
Resistive				1 A, 30 VDC	1 A, 30 VDC
Incandescent	10 A, 120 VAC 5 A, 240 VAC	5 A, 240 VAC	4 A, 240 VAC	4 A, 240 VAC	4 A, 240 VAC
Electronic Ballast	3 A, 240 VAC	1 A, 120 VAC 0.5 A, 240 VAC	2 A, 120 VAC 0.8 A, 240 VAC	2 A, 120 VAC 0.8 A, 240 VAC	2 A, 120 VAC 0.8 A, 240 VAC
Motor		9.8 FLA (½ HP), 120 VAC 8 FLA (1 HP), 240 VAC		5.2 FLA (½ HP), 120 VAC 4.3 FLA (¾ HP), 240 VAC	
TV Rating	TV-8, 120 VAC	TV-5, 120 VAC	TV-8, 120 VAC		TV-8, 120 VAC
Inrush Current	165 A	100 A	60 A	60 A	60 A
Maximum Group Load	CH3-CH5 6 A	CH6-CH9 6 A	CH10-CH11 6 A	CH12-CH13 6 A	DEVICE 56 A

Ordering Code

Product
DDRC-GRMS

Philips 12NC
913703667709



© 2019 Signify Holding. All rights reserved. Specifications are subject to change without notice. No representation or warranty as to the accuracy or completeness of the information included herein is given and any liability for any action in reliance thereon is disclaimed. Philips and the Philips Shield Emblem are registered trademarks of Koninklijke Philips N.V. All other trademarks are owned by Signify Holding or their respective owners.