

Project: _____

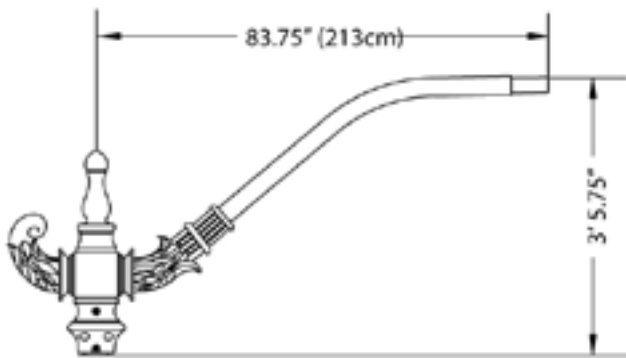
Location: _____

Cat.No: _____

Type: _____

Lamps: _____ Qty: _____

Notes: _____



Ordering Guide

Example: HFP910 P3 A N

Product Code	HFP910	Single
Post diameter	P3	3" Post Mount *1
Finish	A	Black
Arm Accessory	N	None

*1 A Tenon to be 3" O.D. x 9" Tall.

*2 Order 2 3/8" O.D. Horizontal Arm Mount Adaptor (TFHAM) separately.

Specifications

HOUSING:

6063-T6 Extruded aluminum . PolyTech custom blended polyethylene.

FINISH:

Thermoset polyester powdercoat is electrostatically applied after a five-stage conversion cleaning process and bonded by heat fusion thermosetting. Laboratory tested for superior weatherability and fade resistance in accordance with ASTM B117 specifications. Polymer has molded-in color and texture for color fastness and durability. For larger projects where a custom color is required, contact the factory for more information.

CERTIFICATIONS:

Manufactured to ISO 9001:2008 Standards.

WARRANTY:

Three-year limited warranty.

Tenon/Top:

3" x 9"

Height :

41 4/5" (106 cm)

Length:

70" (178 cm)

Overall Length:

83 3/4" (213 cm)

EPA:

2.75 sq. ft.

