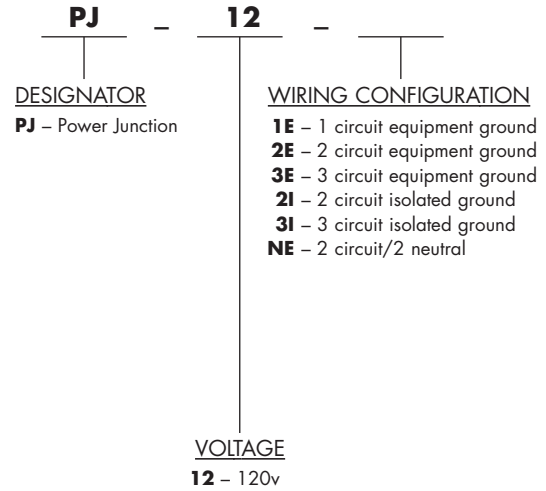
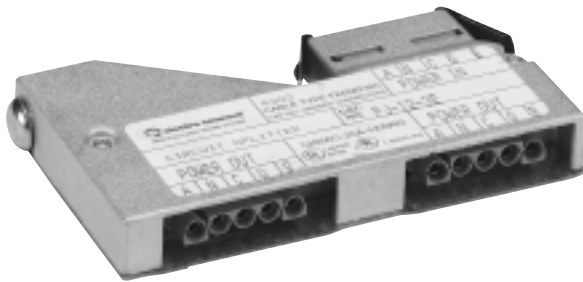


**POWER JUNCTION
(CIRCUIT SPLITTER)**

SAMPLE CATALOG NUMBER: PJ-12-3E



APPLICATION

- The circuit splitter unit is plugged into a cable, adapter or tap cable to divide the circuit flow into two directions from the unit.

ELECTRICAL

- UL/cUL listed.

CONSTRUCTION

- Unit is low profile, 5-5/8" x 3-1/8" x 13/16".
- Thru-wired for three circuits, third circuit is isolated ground as required.
- Die cast housing with zinc plated steel cover plate.
- Internal wires are #12 AWG THHN stranded copper, 600 volt, plus a bare #12 AWG solid tinned copper ground conductor.

Job Name:

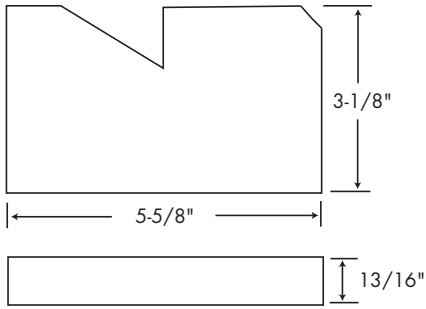
Catalog Number:

Type:

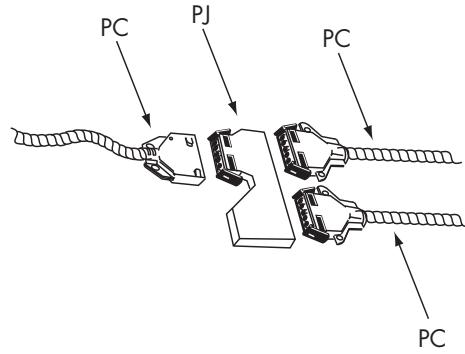
Notes:

ecp5030

DIMENSIONS

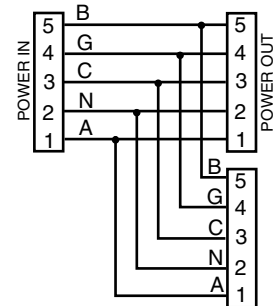
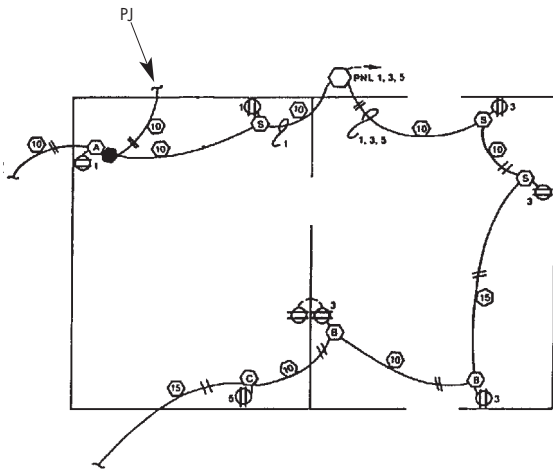


APPLICATION



WIRING

WIRING DIAGRAM



CIRCUIT SPLITTER

Color Legend

A	Black
B	Red
C	Blue
G	Bare
N	White