



OmniSpot LED cylinder is designed to meet the most demanding retail lighting challenges through sleek and discrete aesthetics while providing a high center beam candlepower and efficacy performance. OmniSpot LED cylinder allows for less than 1" of space between the track head and track in the ceiling.

Project: _____
 Location: _____
 Cat.No: _____
 Type: _____
 Lamps: _____ Qty: _____
 Notes: _____

Fixture

example: LC20930WTECW

Series	Adapters	Lumens	CRI/CCT	Finishes	Dimming	Options
<input type="checkbox"/>	<input type="checkbox"/>	<input type="checkbox"/>	<input type="checkbox"/>	<input type="checkbox"/>	<input type="checkbox"/>	<input type="checkbox"/>
LC OmniSpot LED cylinder	— Lightolier H Halo J Juno C Capri ¹ P Prospec ¹ GT Global TEK	20 2000lm	827 80CRI/2700K 830 80CRI/3000K 835 80CRI/3500K 840 80CRI/4000K 927 90CRI/2700K 930 90CRI/3000K	AL Aluminum ¹ BK Matte Black W Matte White	TE Trailing edge (ELV)	— None (leave blank)
			930 90CRI/3000K	See above finishes	TE Trailing edge (ELV)	CW CrispWhite PC PremiumColor ²

Reflector

example: LLAV11RNS

Series	Beam spreads (ordered separately)
<input type="checkbox"/>	<input type="checkbox"/>
LLAV11 Reflector for 2000lm	RNS 11° Narrow Spot ² RS 18° Spot RNF 24° Narrow Flood RF 36° Flood

- Capri (C) and Prospec (P) adapters are not available in aluminum finish.
- When PremiumColor is used with LLMRNS, the beam spread is 16°.
- Aperture ring on the fixture can hold a maximum of 1 film and 1 snoot.
- Accessory holder can hold a maximum of 1 hex cell, 1 film, and 1 snoot.
- Hex cell needs to be ordered with an Accessory holder.

Accessories³

example: LC20AHAL

Series	Finishes/Types
<input type="checkbox"/>	<input type="checkbox"/>
LC20AH Accessory holder ⁴	WH Matte White
LC20SN Snoot	BK Matte Black
	AL Aluminum
LC20 Hex cell	HC Matte Black ⁵
LC20 Diffusion film	SY Symmetrical Spread
	SF Soft Focus
	LS Linear Spread
	FR Frosted Etched

Features

- LED board:** COB LED.
- Integrated housing heat sink:** Impact extrusion aluminum maintains LED junction temperature for min of 50,000 hr lifetime (pending) at 70% lumen maintenance.
- Track attachment fitting:** Locking lever for mechanical/electrical connection.
- Aperture Ring:** Included with luminaire. Die cast aluminum, powder coat to match housing. Tool-less access to reflector and install accessories. Accepts a maximum of 1 film and 1 snoot.
- Mounting arm:** Die-cast aluminum.
- Movable brass contact:** Brass extends for connection to 2nd circuit (Advent track only).
- Finishes:** Powder coated.
- Pivot mounts:** Allows for 350° horizontal. Vertical rotation of +/- 90° from vertical aim to the floor.

- Interchangeable optics:** High efficiency metalized coating providing up to 98% total reflectivity for optimal light quality, beam control and visual punch. Lens attached to reflector which protects reflector finish and LEDs from contamination. Reflectors sold separately, and offer tool-less install for quick field customization.
- CrispWhite:** Available in 90CRI/3000K only, the Lumileds 90CRI CrispWhite technology combines the warm, saturated colors of high CRI with crisp and vibrant whites. The small form factor and high quality of light make this an impactful option for retail display areas.
- PremiumColor:** Available in 90CRI/3000K only, provides vivid and robust colors that pop while maintaining a strong ambient white and bold black balance in any space. This LED technology is sure to add positive energy to varying application needs.

Electrical (electronic power supply)

Input voltage: 120V, 60Hz Input power: 25W
 Efficacy: 83lm/W (nominal) @ 3000K
 High power factor: >0.9 CRI: 80-85 (typical)

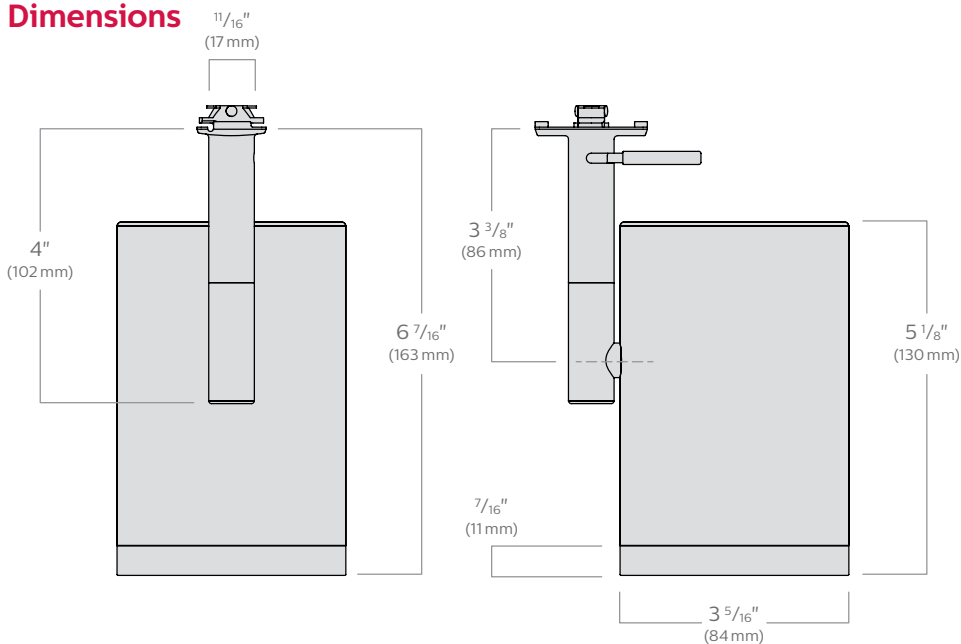
Labels

cULus Listed. 5 year warranty.
 ENERGY STAR® certified (except any configurations containing CrispWhite, PremiumColor and accessory usage)

LC20 OmniSpot LED Track Heads

25W/2000lm

Dimensions



Dimming

Trailing edge (ELV) dimming compatible

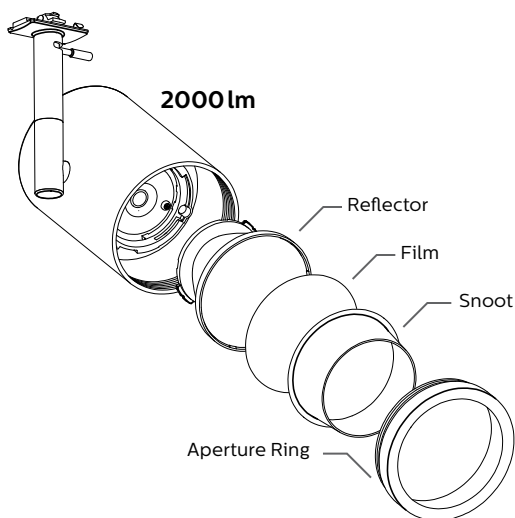
- SR400RPC120** Philips Sunrise (100 - 5%)
- SELV-300P** Lutron Skylark (100-7%)
- DVELV-300P** Lutron Diva (100-7%)
- 6615-P** Leviton Decora (100-12%)

Mounting

Compatible with all Monopoint, Multipoint, recessed track, suspension track, as well as Basic, Advent and Radius track systems. Can be wall mounted vertically or horizontally. Cannot be used with extension wands.

	Beam spread (To 50% CBCP)	CBCP	Rated Life (Hrs.)
LLAV11RNS Narrow Spot	11°	29,711	50,000
LLAV11RS Spot	18°	13,093	50,000
LLAV11RNF Narrow Flood	24°	8,345	50,000
LLAV11RF Flood	36°	4,396	50,000

Accessories (ordered separately)



Hex cell louvers LC20HC = 3" dia.



Only available in matte black. Must order the accessory holder to hold the hex cell louver.

Snoot LC20SN = 3" dia.



Diffusion/special films LC20 = 3" dia.

- LS** Linear spread film
- FR** Frosted etched film
- SF** Soft focus film
- SY** Symmetrical spread film

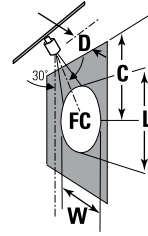
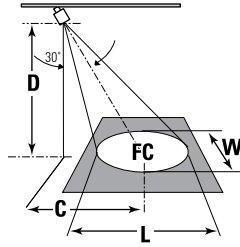
LC20 OmniSpot LED Track Heads

25W/2000lm

Aiming angles

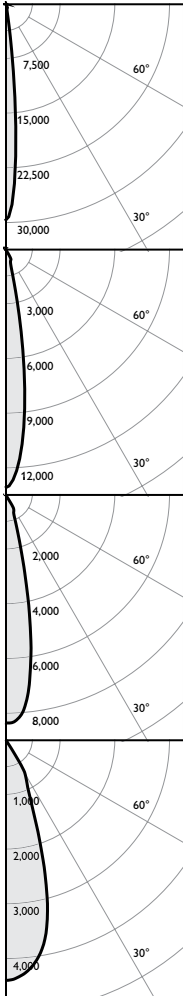
L and W are the outer points where the candle power drops to 50% of the maximum. FC are the initial footcandles at the center of the beam. Data shown is for 3000K, use the table on the right for CRI/CCT adjustment factors.

L Beam length
 D Distance
 W Beam Width
 A Aiming Angle
 FC Footcandles
 C Distance to center beam
 CBCP Center Beam Candlepower.



Adjustment factors

CRI	CCT	Multiplier
80	2700K	0.98
	3000K	1.00
	3500K	1.02
	4000K	1.06
90	2700K	0.81
	3000K	0.84
90CW	3000K	0.7
90PC	3000K	0.76



Fixture: LC20830ALTE
Reflector: LLAV11RNS
 CCT¹: 3000K
 Output lumens: 1967 lms
 Input watts²: 23.7 W
 Efficacy: 83.0 lm/w
 CRI: 80 min
 CBCP³: 29,711 cd
 Beam Angle: 11°
 Field Angle: 21°
 Report no³: 935GFR

Narrow Spot

30° Horizontal Aiming

Distance		Beam		
D	C	F.C.	L	W
6	3.5	536	1.5	1.3
8	4.6	302	2.1	1.8
10	5.8	193	2.6	2.2
12	6.9	134	3.1	2.7

30° Horizontal Aiming

Distance		Beam		
D	C	F.C.	L	W
2	3.5	928	1.6	0.8
3	5.2	413	2.4	1.2
4	6.9	232	3.2	1.5
5	8.7	149	4.0	1.9

Fixture: LC20830ALTE
Reflector: LLAV11RS
 CCT¹: 3000K
 Output lumens: 1964 lms
 Input watts²: 23.7 W
 Efficacy: 82.9 lm/w
 CRI: 80 min
 CBCP³: 13,093 cd
 Beam Angle: 18°
 Field Angle: 34°
 Report no³: 936GFR

Spot

30° Horizontal Aiming

Distance		Beam		
D	C	F.C.	L	W
6	3.5	236	2.6	2.2
8	4.6	133	3.4	2.9
10	5.8	85	4.3	3.7
12	6.9	59	5.1	4.4

30° Horizontal Aiming

Distance		Beam		
D	C	F.C.	L	W
2	3.5	409	2.7	1.3
3	5.2	182	4.1	1.9
4	6.9	102	5.5	2.5
5	8.7	65	6.9	3.2

Fixture: LC20830ALTE
Reflector: LLAV11RNF
 CCT¹: 3000K
 Output lumens: 1944 lms
 Input watts²: 23.7 W
 Efficacy: 82.0 lm/w
 CRI: 80 min
 CBCP³: 8,345 cd
 Beam Angle: 24°
 Field Angle: 47°
 Report no³: 937GFR

Narrow Flood

30° Horizontal Aiming

Distance		Beam		
D	C	F.C.	L	W
6	3.5	151	3.5	2.9
8	4.6	85	4.6	3.9
10	5.8	54	5.8	4.9
12	6.9	38	6.9	5.9

30° Horizontal Aiming

Distance		Beam		
D	C	F.C.	L	W
2	3.5	261	3.9	1.7
3	5.2	116	5.9	2.6
4	6.9	65	7.9	3.4
5	8.7	42	9.8	4.3

Fixture: LC20830ALTE
Reflector: LLAV11RF
 CCT¹: 3000K
 Output lumens: 1897 lms
 Input watts²: 23.7 W
 Efficacy: 80.0 lm/w
 CRI: 80 min
 CBCP³: 4,396 cd
 Beam Angle: 36°
 Field Angle: 65°
 Report no³: 938GFR

Flood

30° Horizontal Aiming

Distance		Beam		
D	C	F.C.	L	W
6	3.5	79	5.4	4.5
8	4.6	45	7.2	6.0
10	5.8	29	9.0	7.5
12	6.9	20	10.8	9.0

30° Horizontal Aiming

Distance		Beam		
D	C	F.C.	L	W
2	3.5	137	7.6	2.6
3	5.2	61	11.4	3.9
4	6.9	34	15.2	5.2
5	8.7	22	19.0	6.5

1. Correlated Color Temperature within specs as defined in ANSI_NEMA_ANSLG C78.377-2008: Specifications for the Chromaticity of Solid State Lighting Products.
 2. Wattage controlled to within +/- 5%.
 3. Tested using absolute photometry as specified in LM79: IESNA Approved Method for the Electrical and Photometric Measurements of Solid-State Lighting Products.

