

Project: _____

Location: _____

Cat.No: _____

Type: _____

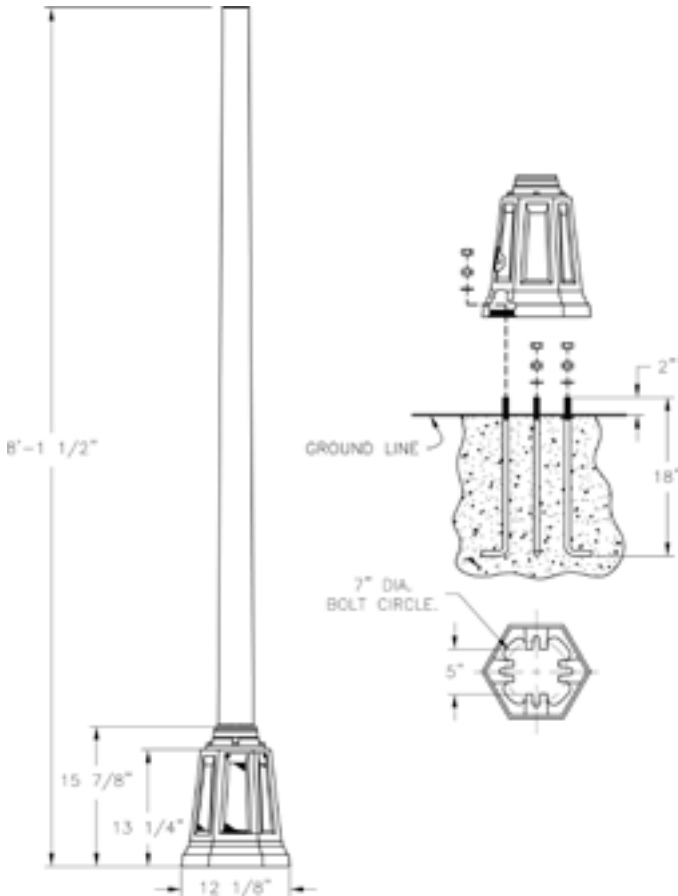
Lamps: _____ Qty: _____

Notes: _____

Ordering Guide

Example: 375- 8 ABS B B D

Product Code	375-	Anchor Base Post
Height(s)	8 10 12	(8 ft.) (10 ft.) (12 ft.)
Finish	ABS ACP ARD ASI BLK BRN BRZ FGN GRA IRN RBZ SRT VBZ VCP VGN VTC WBZ WHT	Antique Brass Antique Copper Antique Red Antique Silver Black Brown Bronze Forest Green Granite Ironstone Rustic Bronze Shadow Rust Verde Bronze Verde Copper Verde Vintage Copper Weathered Bronze White
Photoeye (Optional)	B C	120V 208V - 277V
Outlet Location (Optional)	B T	4" from Top of Base 12" from Top of Pole
Outlet Options (Optional)	D G	Standard Duplex GFI Duplex



Specifications

OUTLET:

GFI Duplex Outlet has dual-function indicator light, universal metal weatherproof cover. Weatherproof while in use. Heavy-duty all-metal construction. Lockable security cover. Meets NEC 406.9 (B). Weather resistant. Standard Duplex Outlet has universal metal weatherproof cover. Weatherproof while in use. Heavy-duty all-metal construction. Lockable security cover. Meets NEC 406.9 (B). Weather resistant.

CONSTRUCTION:

Cast aluminum hex anchor base. Cast aluminum removable access door. Tapered post welded to base.

FINISH:

Resilient TGIC thermoset polyester powdercoat paint is electrostatically applied to every fixture. Specially formulated for Philips Outdoor Lighting, it provides UV protection, and the highest temperature rating in the industry. In addition to the standard color choices shown, a spectrum of custom colors is available.

WARRANTY:

Three-year limited warranty.

375- Anchor base post

Pole

Specifications

Tenon/Top:

3" O.D.

Bolt Circle:

7" dia.

Anchor Rods:

(4) 1/2" dia. x 18" long zinc plated steel

Base Dimensions:

12 1/8" x 13 1/4"

Shaft:

4" to 3" Tapered

Wall Thickness:

.125"

Height:

8', 10', 12'

Pole EPA Values

Windspeed(mph)	Height		
	8'	10'	12'
80	8.1800	5.8100	4.2000
110	3.8600	2.4700	1.4800
130	3.4600	1.9500	0.8500

