

Project: _____

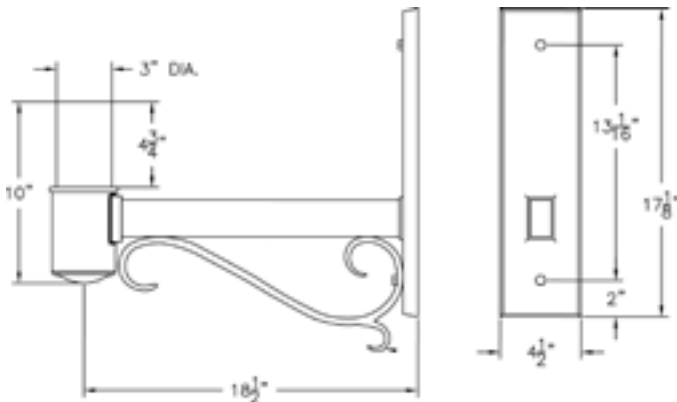
Location: _____

Cat.No: _____

Type: _____

Lamps: _____ Qty: _____

Notes: _____



Ordering Guide

Example: 235S ABS

| Product Code | 235S | Wall Mount Bracket |
|---------------|------|--------------------|
| Finish | ABS | Antique Brass |
| | ACP | Antique Copper |
| | ARD | Antique Red |
| | ASI | Antique Silver |
| | BLK | Black |
| | BRN | Brown |
| | BRZ | Bronze |
| | FGN | Forest Green |
| | GRA | Granite |
| | IRN | Ironstone |
| | RBZ | Rustic Bronze |
| | SRT | Shadow Rust |
| | VBZ | Verde Bronze |
| | VCP | Verde Copper |
| | VGN | Verde |
| | VTC | Vintage Copper |
| | WBZ | Weathered Bronze |
| | WHT | White |

Specifications

CONSTRUCTION:

Cast aluminum bracket and scroll with cap. 1 1/2" x 2" Extruded aluminum arm. Cast aluminum wall plate.

FINISH:

Resilient TGIC thermoset polyester powdercoat paint is electrostatically applied to every fixture. Specially formulated for Philips Outdoor Lighting, it provides UV protection, and the highest temperature rating in the industry. In addition to the standard color choices shown, a spectrum of custom colors is available.

MOUNTING:

See template for dimensions & mounting instructions. Mounting Hardware is supplied.

Height:

17 1/8"

Width:

4 1/2"

Projection:

14"

