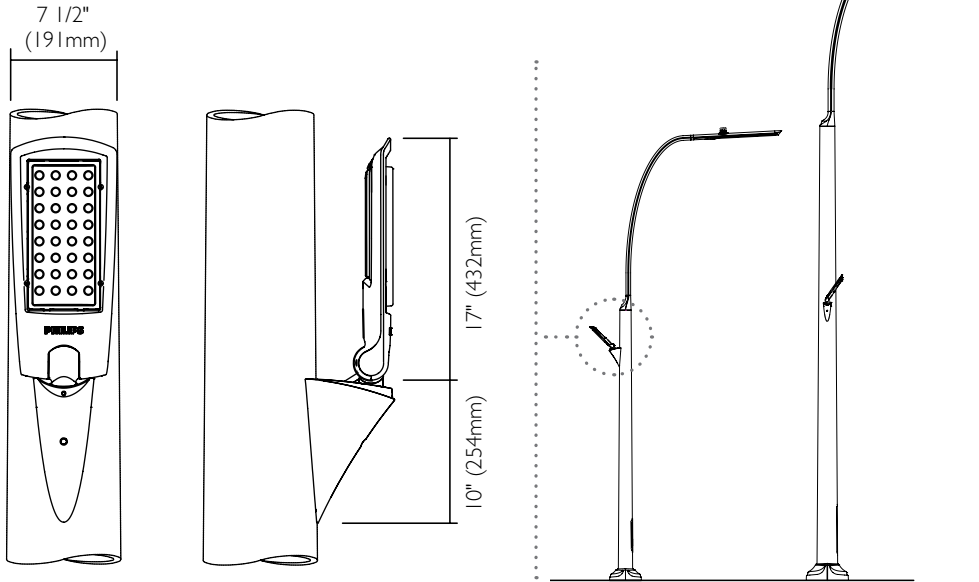


SoleCity

LED Flood Light

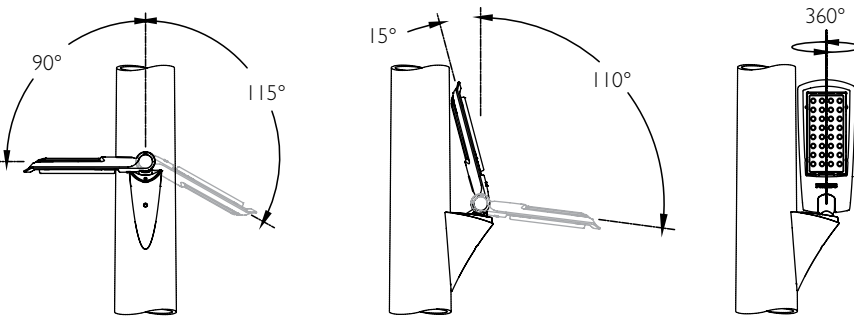
Data Sheet



ULFL100

Conform to the UL 1598 and CSA C22.2 No. 250.0-08 standards

Street and Area Luminaire	Height of Pole	Height of Mid-Pole
ULS100	12	8-10
ULM100	13	8-11
ULM100	14	8-12
ULM100	15	8-13
ULM100	16	8-14
ULM100	17	8-15
ULM100	18	8-16
ULM100	19	8-17
ULM100	20	8-18
ULM100	21	8-19
ULM100	22	8-20



LED Lamp Details

LED = Philips Lumileds Rebel R, CRI = 70, CCT = 4000K (+/- 350K)
 System (LED + driver) rated life = 100,000 hrs¹

Lamp	Typical delivered lumens ²	Typical lamp wattage (W)	Typical system wattage ³ (W)	Typical current @ 120 V (A)	Typical current @ 240 V (A)	Typical current @ 277 V (A)	LED current (mA)	HPS equivalent ⁴	Luminaire Efficacy Rating (Lm/W)
35W32LED4K-R	3150	35	40	0.38	0.19	0.16	350	70 W	79
55W32LED4K-R	4400	54	60	0.58	0.29	0.25	530	70 W	73

¹ L70 = 100,000 hrs (at ambient temperature = 25°C and forward current = 700 mA).

² May vary depending on the optical distribution used.

³ System wattage includes the lamp and the LED driver.

⁴ Compared to Contemporary lantern (equivalence should always be confirmed by a photometric layout).

Optical System



LEDGINE

Composed of high performance acrylic refractors lenses to achieve desired distribution, optimized to get maximum spacing, target lumen and a perfect lighting uniformity. Performance shall be tested per LM63 and LM79 and TM15 (IESNA) certifying its photometric performance. The system is rated IP66.

* Photometry available on Philips Lumec web site www.philips.com/lumec.

Vertical Projection



Projection on the ground



Voltages

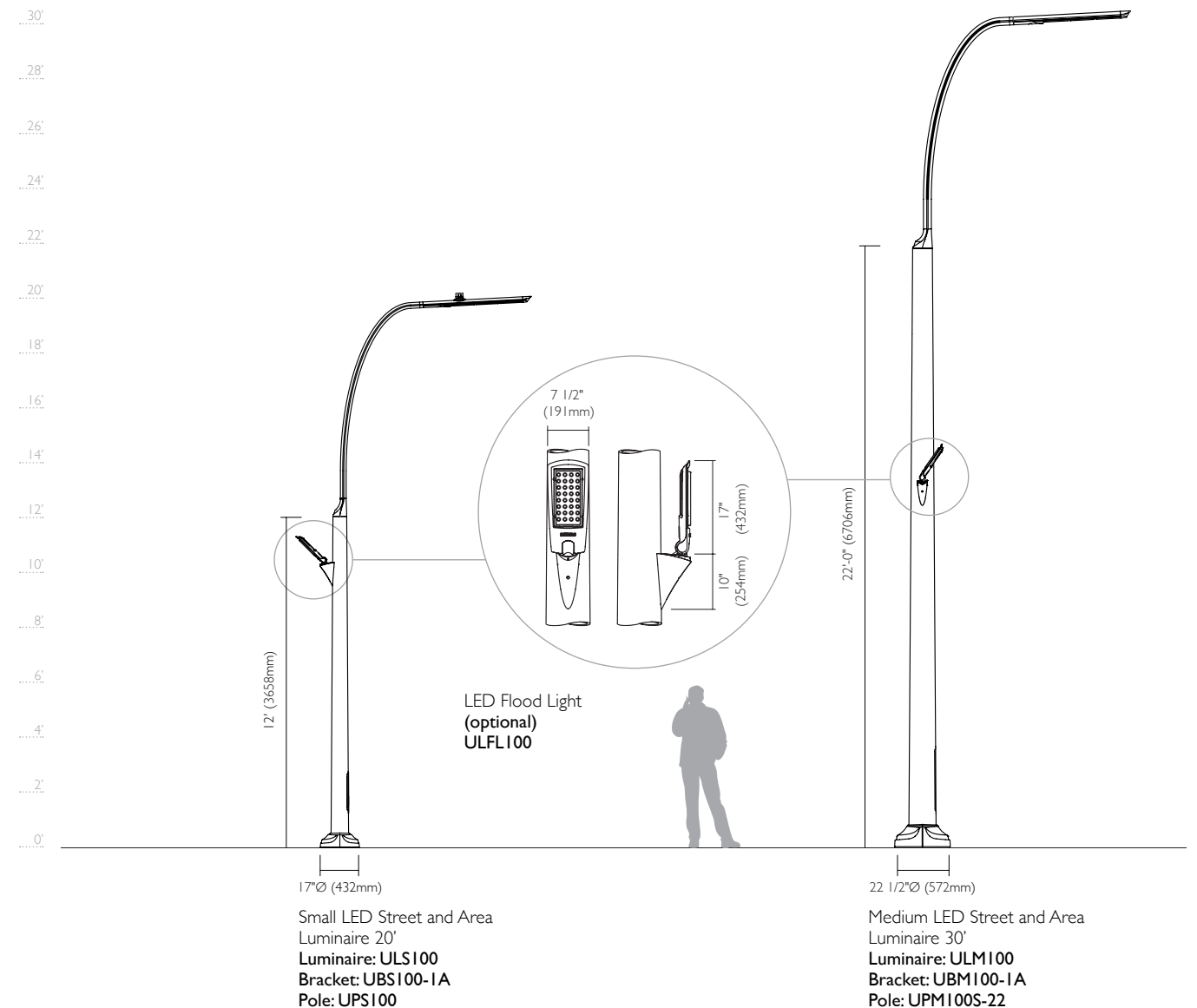
120 / 208 / 240 / 277 / 347¹ / 480¹

¹ Not available with driver options, 35W and 55W.

Ordering Example

Luminaire	Lamp	Optical System	Voltage	Driver Options	Luminaire Options	Bracket	Luminaire (2)	Lamp (2)	Optical System (2)	Voltage (2)	Driver Options (2)	Pole	Pole Options	Mid-Pole Luminous height	Finish
ULS100	105W80LED4K-R	LE3	120	DMG	PH8	UBS100-1A	ULFL100	35W32LED4K-R	LEV3	120	DMG	UPS100-12	MPL	10	BKTX

Assembly Example



Luminaire Lighting Controls

SoleCity allows you many options in order to get different smart functionalities.

- DMG** → Driver is compatible with dimmer from 0 to 10 volts.
- CDMG** → Dynadimmer standard dimming functionalities including pre-programmed scenarios to suit many applications and needs from safety to maximum energy savings.
- CDMGP** → Dynadimmer custom dimming scenario allowing the user to program up to 5 time periods and multiple dimming levels from 100% to 10% of total wattage.
- OVR** → Dynadimmer override function offering the possibility to go back to full power at any time via an electrical signal of 120VAC to 277VAC from a motion sensor, a switch, a relay or else.
- CLO** → Pre-set driver to manage the lumen depreciation by adjusting the power given to the LEDs offering the same lighting intensity during the entire lifespan of the lamp.
- AST** → Pre-set driver for progressive start-up of the lamp to optimize energy management and enhance user visual comfort at start-up.
- OTL** → Pre-set driver to signal end of life of the lamp for better fixture management.
- DALI** → Pre-set driver compatible with the DALI control system.

System Lighting Controls

Different options are available according to your needs. Please contact us for more information.

City Lighting Controls

- CityTouch** → Widespread or multi-site lighting management with detailed asset management that can grow along with your needs.

Other options are also available according to your needs. Please contact us for more information.

Available only with entire street and area Luminaire with Flood Light.



www.philips.com/lumec

PHILIPS LUMEC HEAD OFFICE	:	ONTARIO OFFICE
640, Curé-Boivin Boulevard	:	189 Bullock Drive
Boisbriand, Québec	:	Markham, Ontario
Canada J7G 2A7	:	Canada L3P 1W4
T : 450.430.7040	:	T : 416.223.7255
F : 450.430.1453	:	F : 866.971.2825

For the details of our different agents and representatives, please consult the **Contact us** section of our Website.

© 2012 Philips Group.

All rights reserved. We reserve the right to change details of design, materials and finishes.

.....

PHILIPS
LUMEC