

# Day-Brite

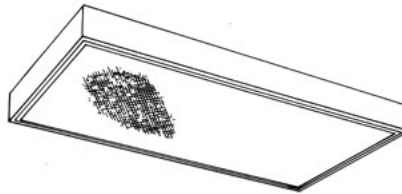
## CFI

by Signify

### Surface

Surface Modular 2x4

T5, T5HO, or T8



Project: \_\_\_\_\_  
 Location: \_\_\_\_\_  
 Cat.No: \_\_\_\_\_  
 Type: \_\_\_\_\_  
 Lamps: \_\_\_\_\_ Qty: \_\_\_\_\_  
 Notes: \_\_\_\_\_

Day-Brite / CFI Surface Modular luminaire is a shallow body, surface mounted premium grade luminaire with a variety of door frames and lens options available.

#### Ordering guide

Example: 2SMR232-FS01-UNV-1/2-EBLHE

| Width | Family              | No. of Lamps (not included) | Lamp Type  | Door Frame  | Lens  | Voltage   | Options   |
|-------|---------------------|-----------------------------|--|---|---|---|---|
| 2     | SMR                 |                             | —  |   | —   | —   |   |
| 2 2'  | SMR Surface Modular | 2<br>3<br>4                 | 28 28wT5 (46")<br>32 32wT8 (48")<br>54 54wT5HO (46") | FS Flat Steel<br>FA Flat Aluminum<br>RA Regressed Aluminum<br>TFS Tamper Resistant Flat Steel | 01 Pattern 12 prismatic acrylic<br>12 K-12, .125" nominal<br>19 K-19, .156" nominal<br>21 Pattern 12, .125" nominal<br>30 1/2"x1/2"x1/2" silver polystyrene louver<br>34 1-1/2"x1-1/2"x1" silver polystyrene louver<br>52 3/4"x3/4"x1/2" silver polystyrene louver<br>56 .187" nominal DR high impact acrylic (recommended w/ TFS door) | 120<br>277<br>347<br>UNV Universal Voltage 120-277V | 1/2 One 2-lamp ballast<br>1/3 One 3-lamp ballast<br>1/21 2-lamp & 1-lamp ballasts<br>1/4 One 4-lamp ballast<br>2/2 Two 2-lamp ballasts<br>EB Electronic ballast, <10% THD, std. ballast factor<br>EB10R T8 electronic ballast, program rapid start, <10% THD<br>EBHE T8 electronic ballast, high efficiency, std. ballast factor<br>EBLHE T8 electronic ballast, high efficiency, low ballast factor<br>EBHHE T8 electronic ballast, high efficiency, high ballast factor<br>EBSD T8 electronic step dimming ballast, .88 ballast factor<br>EBD7 Advance Mark 7 dimming ballast, 0-10V (low voltage) control<br>EBDX Advance Mark 10 dimming ballast, phase control<br>EBD Electronic dimming ballast, customer specified<br>E1 B100 emerg. ballast, T8, 350-450 lumens, 120/277V<br>E1CAN B100-CAN emerg. ballast, Canada market, T8, 350-450 lumens, 120/347V<br>E7 B60 emerg. ballast, T8, 600-700 lumens, 120/277V<br>E5 B50 emerg. ballast, U.S. or Canada market, T8, 1100-1400 lumens, UNV<br>E5-CAN B50-CAN emerg. ballast, Canada market, T8, 1100-1400 lumens, 120/347V<br>ESST B50ST emerg. ballast w/self test, T8, 1100-1400 lumens, UNV<br>E7LP LP550 emerg. ballast T5/T5HO, 430-700 lumens, 120/277V<br>E6LP LP600 emerg. ballast U.S. or Canada market, T5/T5HO, 750-1325 lumens, 120/277V<br>GLR Fusing, fast blow<br>1W 1-way gasketing, between lens & door frame (not avail. w/RA door)<br>2W 2-way gasketing, 1W + gasketing between door frame & housing |

#### Accessories (order separately)

- **TPDTH** Tamper proof driver, Torx T-15 head pin drive and handle (required with TR option)
- **CS-400** Rigid canopy
- **CS-500** 42" top swivel canopy
- **CS-12** 12" Stem
- **CS-18** 18" Stem
- **CS-24** 24" Stem
- **CS-30** 30" Stem
- **CS-36** 36" Stem
- **CS-48** 48" Stem



# 2SMR Surface Modular luminaire 2x4

T5, T5HO, or T8

## Construction/Finish

- For surface or pendant mounting. 2 and 4 lamp models require 2 stems for pendant mounting. 3 lamp models require 4 stems.
- 4" deep metal sided unit allows a wide choice of lens and shallow metal or plastic louvers.
- Housing is multi-stage phosphate treated for maximum corrosion resistance and painted after fabrication with white polyester powder coating.
- K.O.'s provided in ends allow individual or continuous row mounting.

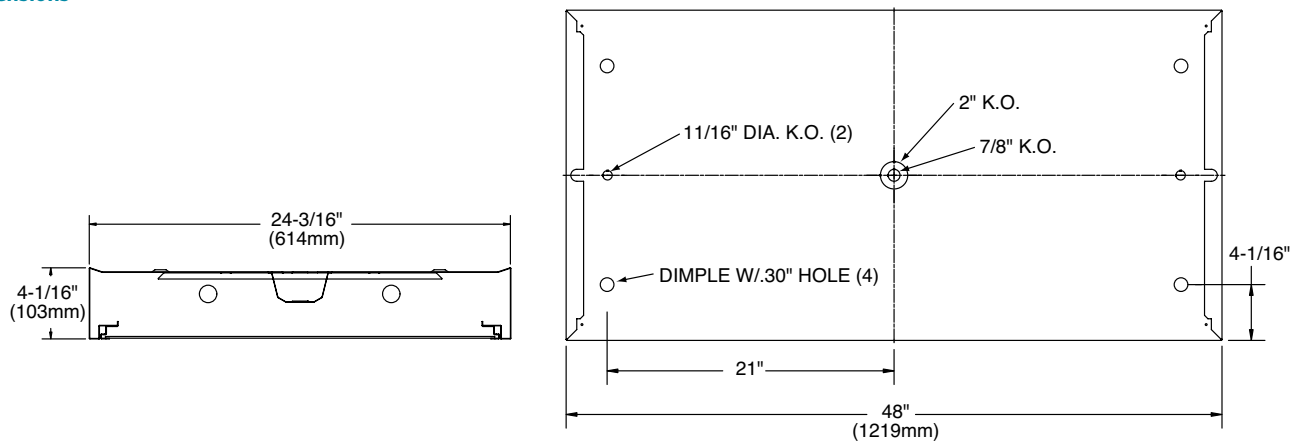
## Electrical

- cULus listed for direct mounting on low density ceilings and damp locations.
- Self-contained fluorescent emergency power packs can be incorporated.

## Enclosure

- Mitered corner door frames painted after fabrication with a choice of Flat Steel, Flat Aluminum, Regressed Aluminum, or Tamper Resistant Flat Steel.
- Door frames standard with guide post spring loaded latches.
- Prismatic acrylic pattern 12 lens standard (O1). Other lenses or louvers optional.
- Can be hinged and latched from either side.
- TFS Door latches secured with 2 Torx head pin drive screws
- Special screwdriver required for TFS door, catalog #TPDTH sold separately
- #56 Lens withstands impact of 70 ft lbs. at 75°F. with the lens supported on all four edges.

## Dimensions



## Photometry

### Surface Modular 2 Lamp T8

Efficiency – 81.2%

LER – 69

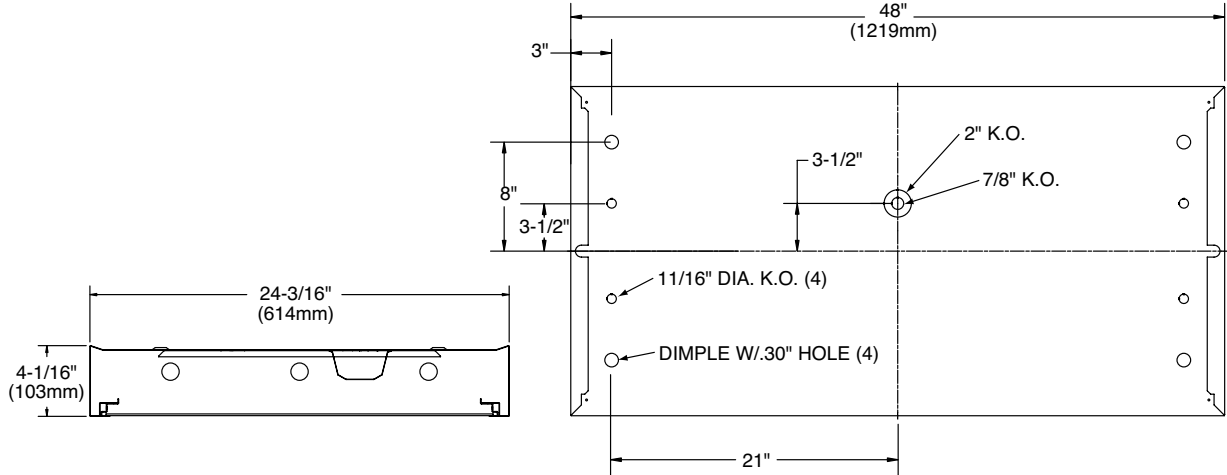
TER – 60

| Catalog No.  | 2SMR232-FS01-1/2-EB | Candlepower |      |      |       | Light Distribution                                   |        |        |             | Average Luminance |      |      |       |       |  |
|--|---------------------|-------------|------|------|-------|--|--------|--------|-------------|-------------------|------|------|-------|-------|--|
|  |                     | Angle       | End  | 45   | Cross | Degrees  | Lumens | % Lamp | % Luminaire | Angle             | End  | 45'  | Cross |       |  |
| Test No.   | 25170               | 0           | 1661 | 1661 | 1661  | 0-30   | 1343   | 23.6   | 29.0        | 45                | 2183 | 2737 | 3040  |       |  |
| S/MH   | 1.5                 | 5           | 1667 | 1658 | 1646  | 0-40   | 2254   | 39.5   | 48.7        | 55                | 1741 | 2214 | 2481  |       |  |
| Lamp Type  | F32T8               | 10          | 1645 | 1648 | 1647  | 0-60   | 3906   | 68.5   | 84.4        | 65                | 1312 | 1495 | 1715  |       |  |
| Ballast Factor   | .88                 | 15          | 1610 | 1632 | 1646  | 0-90   | 4626   | 81.2   | 100.0       | 75                | 1262 | 1173 | 1310  |       |  |
| Input Watts  | 59                  | 20          | 1565 | 1605 | 1641  |  |        |        |             | 85                | 1492 | 1457 | 1439  |       |  |
|  |                     | 25          | 1496 | 1574 | 1629  |  |        |        |             |                   |      |      |       |       |  |
|  |                     | 30          | 1415 | 1528 | 1614  |  |        |        |             |                   |      |      |       |       |  |
|  |                     | 35          | 1308 | 1470 | 1580  |  |        |        |             |                   |      |      |       |       |  |
|  |                     | 40          | 1168 | 1389 | 1512  |  |        |        |             |                   |      |      |       |       |  |
|  |                     | 45          | 997  | 1250 | 1388  |  |        |        |             |                   |      |      |       |       |  |
|  |                     | 50          | 816  | 1048 | 1180  |  |        |        |             |                   |      |      |       |       |  |
|  |                     | 55          | 645  | 820  | 919   |  |        |        |             |                   |      |      |       |       |  |
|  |                     | 60          | 481  | 594  | 673   |  |        |        |             |                   |      |      |       |       |  |
|  |                     | 65          | 358  | 408  | 468   |  |        |        |             |                   |      |      |       |       |  |
|  |                     | 70          | 270  | 271  | 320   |  |        |        |             |                   |      |      |       |       |  |
|  |                     | 75          | 211  | 196  | 219   |  |        |        |             |                   |      |      |       |       |  |
|  |                     | 80          | 153  | 152  | 147   |  |        |        |             |                   |      |      |       |       |  |
|  |                     | 85          | 84   | 82   | 81    |  |        |        |             |                   |      |      |       |       |  |
| Comparative yearly lighting energy cost per 1000 lumens – \$3.48 based on 3000 hrs. and 5.08 pwr KWH.  |                     |             |      |      |       |  |        |        |             |                   |      |      |       |       |  |
| The photometric results were obtained in the Day-Brite laboratory which is NVLAP accredited by the National Institute of Standards and Technology. |                     |             |      |      |       |  |        |        |             |                   |      |      |       |       |  |
|  |                     |             |      |      |       | Coefficients of Utilization                          |        |        |             |                   |      |      |       |       |  |
|  |                     |             |      |      |       | EFFECTIVE FLOOR CAVITY REFLECTANCE 20 PER (pfc=0.20) |        |        |             |                   |      |      |       |       |  |
|  |                     |             |      |      |       | pcc  |        | 80     |             | 70                |      | 50   |       |       |  |
|  |                     |             |      |      |       | pw   |        | 70     |             | 50                |      | 30   |       | 50 30 |  |
|  |                     |             |      |      |       | RCR  |        | 93     |             | 93                |      | 93   |       | 90 90 |  |
|  |                     |             |      |      |       | 0  | 96     | 96     | 96          | 93                | 93   | 93   | 90    | 90    |  |
|  |                     |             |      |      |       | 1  | 89     | 84     | 81          | 86                | 82   | 80   | 80    | 77    |  |
|  |                     |             |      |      |       | 2  | 81     | 75     | 69          | 79                | 72   | 68   | 70    | 66    |  |
|  |                     |             |      |      |       | 3  | 73     | 66     | 59          | 71                | 65   | 58   | 63    | 57    |  |
|  |                     |             |      |      |       | 4  | 68     | 58     | 52          | 66                | 57   | 51   | 56    | 50    |  |
|  |                     |             |      |      |       | 5  | 63     | 53     | 46          | 60                | 52   | 45   | 50    | 44    |  |
|  |                     |             |      |      |       | 6  | 57     | 47     | 40          | 56                | 46   | 40   | 45    | 39    |  |
|  |                     |             |      |      |       | 7  | 54     | 42     | 35          | 53                | 42   | 35   | 40    | 34    |  |
|  |                     |             |      |      |       | 8  | 50     | 39     | 33          | 48                | 39   | 32   | 38    | 32    |  |
|  |                     |             |      |      |       | 9  | 46     | 35     | 29          | 46                | 35   | 28   | 34    | 28    |  |
|  |                     |             |      |      |       | 10   | 44     | 33     | 27          | 42                | 33   | 27   | 32    | 27    |  |

# 2SMR Surface Modular luminaire 2x4

T5, T5HO, or T8

## Dimensions



## Photometry

### Surface Modular 3 Lamp T8

Efficiency – 78.7%

LER – 71

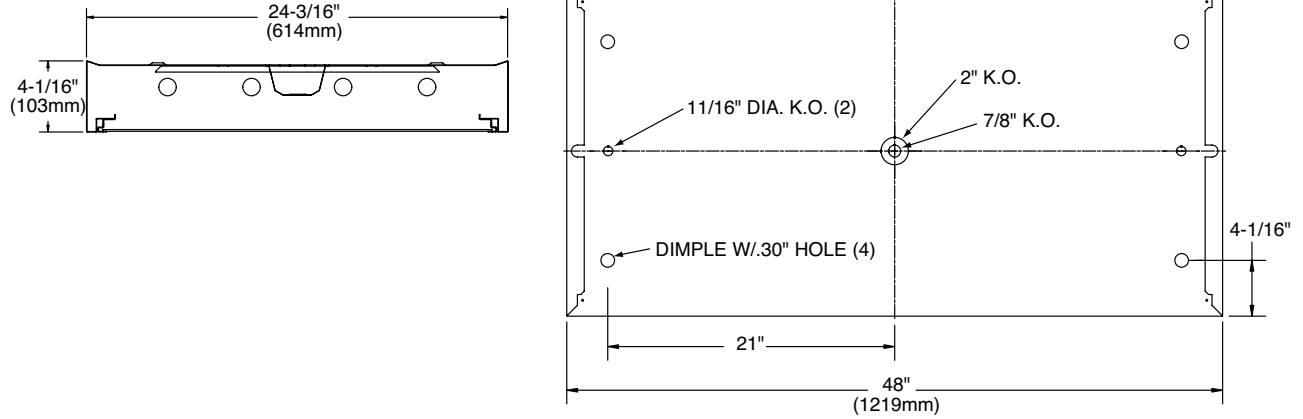
TER – 62

| Catalog No. 2SMR332-FS01-1/3-EB<br>Test No. 25201<br>S/MH 1.4<br>Lamp Type F32T8<br>Ballast Factor .88<br>Input Watts 84  |      | Candlepower |      |      |       | Light Distribution   |        |        |             | Average Luminance |      |      |       |  |     |    |    |    |    |  |  |  |  |    |    |    |    |    |    |    |    |    |     |  |  |  |  |  |  |  |  |   |    |    |    |    |    |    |    |    |   |    |    |    |    |    |    |    |    |   |    |    |    |    |    |    |    |    |   |    |    |    |    |    |    |    |    |   |    |    |    |    |    |    |    |    |   |    |    |    |    |    |    |    |    |   |    |    |    |    |    |    |    |    |   |    |    |    |    |    |    |    |    |   |    |    |    |    |    |    |    |    |   |    |    |    |    |    |    |    |    |    |    |    |    |    |    |    |    |    |
|---|------|-------------|------|------|-------|--|--------|--------|-------------|-------------------|------|------|-------|--|-----|----|----|----|----|--|--|--|--|----|----|----|----|----|----|----|----|----|-----|--|--|--|--|--|--|--|--|---|----|----|----|----|----|----|----|----|---|----|----|----|----|----|----|----|----|---|----|----|----|----|----|----|----|----|---|----|----|----|----|----|----|----|----|---|----|----|----|----|----|----|----|----|---|----|----|----|----|----|----|----|----|---|----|----|----|----|----|----|----|----|---|----|----|----|----|----|----|----|----|---|----|----|----|----|----|----|----|----|---|----|----|----|----|----|----|----|----|----|----|----|----|----|----|----|----|----|
|   |      | Angle       | End  | 45   | Cross | Degrees  | Lumens | % Lamp | % Luminaire | Angle             | End  | 45°  | Cross |  |     |    |    |    |    |  |  |  |  |    |    |    |    |    |    |    |    |    |     |  |  |  |  |  |  |  |  |   |    |    |    |    |    |    |    |    |   |    |    |    |    |    |    |    |    |   |    |    |    |    |    |    |    |    |   |    |    |    |    |    |    |    |    |   |    |    |    |    |    |    |    |    |   |    |    |    |    |    |    |    |    |   |    |    |    |    |    |    |    |    |   |    |    |    |    |    |    |    |    |   |    |    |    |    |    |    |    |    |   |    |    |    |    |    |    |    |    |    |    |    |    |    |    |    |    |    |
| Comparative yearly lighting energy cost per 1000 lumens – <b>\$3.38</b> based on 3000 hrs. and \$.08 pwr KWH.<br><br>The photometric results were obtained in the Day-Brite laboratory which is NVLAP accredited by the National Institute of Standards and Technology. |      | 0           | 2486 | 2486 | 2486  | 0-30   | 1996   | 23.3   | 29.7        | 45                | 3252 | 3850 | 4183  |  |     |    |    |    |    |  |  |  |  |    |    |    |    |    |    |    |    |    |     |  |  |  |  |  |  |  |  |   |    |    |    |    |    |    |    |    |   |    |    |    |    |    |    |    |    |   |    |    |    |    |    |    |    |    |   |    |    |    |    |    |    |    |    |   |    |    |    |    |    |    |    |    |   |    |    |    |    |    |    |    |    |   |    |    |    |    |    |    |    |    |   |    |    |    |    |    |    |    |    |   |    |    |    |    |    |    |    |    |   |    |    |    |    |    |    |    |    |    |    |    |    |    |    |    |    |    |
|   |      | 5           | 2487 | 2476 | 2471  | 0-40   | 3325   | 38.9   | 49.4        | 55                | 2573 | 3115 | 3547  |  |     |    |    |    |    |  |  |  |  |    |    |    |    |    |    |    |    |    |     |  |  |  |  |  |  |  |  |   |    |    |    |    |    |    |    |    |   |    |    |    |    |    |    |    |    |   |    |    |    |    |    |    |    |    |   |    |    |    |    |    |    |    |    |   |    |    |    |    |    |    |    |    |   |    |    |    |    |    |    |    |    |   |    |    |    |    |    |    |    |    |   |    |    |    |    |    |    |    |    |   |    |    |    |    |    |    |    |    |   |    |    |    |    |    |    |    |    |    |    |    |    |    |    |    |    |    |
|   |      | 10          | 2459 | 2461 | 2469  | 0-60   | 5684   | 66.5   | 84.4        | 65                | 1916 | 2129 | 2535  |  |     |    |    |    |    |  |  |  |  |    |    |    |    |    |    |    |    |    |     |  |  |  |  |  |  |  |  |   |    |    |    |    |    |    |    |    |   |    |    |    |    |    |    |    |    |   |    |    |    |    |    |    |    |    |   |    |    |    |    |    |    |    |    |   |    |    |    |    |    |    |    |    |   |    |    |    |    |    |    |    |    |   |    |    |    |    |    |    |    |    |   |    |    |    |    |    |    |    |    |   |    |    |    |    |    |    |    |    |   |    |    |    |    |    |    |    |    |    |    |    |    |    |    |    |    |    |
|   |      | 15          | 2398 | 2431 | 2461  | 0-90   | 6731   | 78.7   | 100.0       | 75                | 1837 | 1699 | 1897  |  |     |    |    |    |    |  |  |  |  |    |    |    |    |    |    |    |    |    |     |  |  |  |  |  |  |  |  |   |    |    |    |    |    |    |    |    |   |    |    |    |    |    |    |    |    |   |    |    |    |    |    |    |    |    |   |    |    |    |    |    |    |    |    |   |    |    |    |    |    |    |    |    |   |    |    |    |    |    |    |    |    |   |    |    |    |    |    |    |    |    |   |    |    |    |    |    |    |    |    |   |    |    |    |    |    |    |    |    |   |    |    |    |    |    |    |    |    |    |    |    |    |    |    |    |    |    |
|   |      | 20          | 2326 | 2388 | 2443  |  |        |        |             | 85                | 2185 | 2043 | 1883  |  |     |    |    |    |    |  |  |  |  |    |    |    |    |    |    |    |    |    |     |  |  |  |  |  |  |  |  |   |    |    |    |    |    |    |    |    |   |    |    |    |    |    |    |    |    |   |    |    |    |    |    |    |    |    |   |    |    |    |    |    |    |    |    |   |    |    |    |    |    |    |    |    |   |    |    |    |    |    |    |    |    |   |    |    |    |    |    |    |    |    |   |    |    |    |    |    |    |    |    |   |    |    |    |    |    |    |    |    |   |    |    |    |    |    |    |    |    |    |    |    |    |    |    |    |    |    |
|   |      | 25          | 2227 | 2325 | 2414  | <b>Coefficients of Utilization</b><br><b>EFFECTIVE FLOOR CAVITY REFLECTANCE 20 PER (pfc=0.20)</b><br><table border="1"> <thead> <tr> <th>pcc</th> <th>80</th> <th>70</th> <th>50</th> <th colspan="3"></th> <th colspan="2"></th> </tr> <tr> <th>pw</th> <th>70</th> <th>50</th> <th>30</th> <th>70</th> <th>50</th> <th>30</th> <th>50</th> <th>30</th> </tr> </thead> <tbody> <tr> <td>RCR</td> <td></td> <td></td> <td></td> <td></td> <td></td> <td></td> <td></td> <td></td> </tr> <tr> <td>0</td> <td>93</td> <td>93</td> <td>93</td> <td>92</td> <td>92</td> <td>92</td> <td>86</td> <td>86</td> </tr> <tr> <td>1</td> <td>85</td> <td>82</td> <td>79</td> <td>83</td> <td>81</td> <td>78</td> <td>78</td> <td>75</td> </tr> <tr> <td>2</td> <td>79</td> <td>72</td> <td>68</td> <td>77</td> <td>70</td> <td>67</td> <td>68</td> <td>65</td> </tr> <tr> <td>3</td> <td>71</td> <td>64</td> <td>57</td> <td>69</td> <td>63</td> <td>56</td> <td>60</td> <td>56</td> </tr> <tr> <td>4</td> <td>66</td> <td>56</td> <td>51</td> <td>65</td> <td>56</td> <td>50</td> <td>54</td> <td>48</td> </tr> <tr> <td>5</td> <td>60</td> <td>51</td> <td>45</td> <td>59</td> <td>51</td> <td>44</td> <td>48</td> <td>42</td> </tr> <tr> <td>6</td> <td>56</td> <td>46</td> <td>40</td> <td>55</td> <td>46</td> <td>39</td> <td>44</td> <td>39</td> </tr> <tr> <td>7</td> <td>52</td> <td>41</td> <td>34</td> <td>51</td> <td>40</td> <td>34</td> <td>40</td> <td>34</td> </tr> <tr> <td>8</td> <td>48</td> <td>38</td> <td>32</td> <td>47</td> <td>38</td> <td>32</td> <td>36</td> <td>30</td> </tr> <tr> <td>9</td> <td>46</td> <td>34</td> <td>28</td> <td>45</td> <td>34</td> <td>28</td> <td>34</td> <td>28</td> </tr> <tr> <td>10</td> <td>42</td> <td>33</td> <td>26</td> <td>41</td> <td>32</td> <td>26</td> <td>30</td> <td>26</td> </tr> </tbody> </table> |        |        |             |                   |      |      |       |  | pcc | 80 | 70 | 50 |    |  |  |  |  | pw | 70 | 50 | 30 | 70 | 50 | 30 | 50 | 30 | RCR |  |  |  |  |  |  |  |  | 0 | 93 | 93 | 93 | 92 | 92 | 92 | 86 | 86 | 1 | 85 | 82 | 79 | 83 | 81 | 78 | 78 | 75 | 2 | 79 | 72 | 68 | 77 | 70 | 67 | 68 | 65 | 3 | 71 | 64 | 57 | 69 | 63 | 56 | 60 | 56 | 4 | 66 | 56 | 51 | 65 | 56 | 50 | 54 | 48 | 5 | 60 | 51 | 45 | 59 | 51 | 44 | 48 | 42 | 6 | 56 | 46 | 40 | 55 | 46 | 39 | 44 | 39 | 7 | 52 | 41 | 34 | 51 | 40 | 34 | 40 | 34 | 8 | 48 | 38 | 32 | 47 | 38 | 32 | 36 | 30 | 9 | 46 | 34 | 28 | 45 | 34 | 28 | 34 | 28 | 10 | 42 | 33 | 26 | 41 | 32 | 26 | 30 | 26 |
|   |      | pcc         | 80   | 70   | 50    |  |        |        |             |                   |      |      |       |  |     |    |    |    |    |  |  |  |  |    |    |    |    |    |    |    |    |    |     |  |  |  |  |  |  |  |  |   |    |    |    |    |    |    |    |    |   |    |    |    |    |    |    |    |    |   |    |    |    |    |    |    |    |    |   |    |    |    |    |    |    |    |    |   |    |    |    |    |    |    |    |    |   |    |    |    |    |    |    |    |    |   |    |    |    |    |    |    |    |    |   |    |    |    |    |    |    |    |    |   |    |    |    |    |    |    |    |    |   |    |    |    |    |    |    |    |    |    |    |    |    |    |    |    |    |    |
|   |      | pw          | 70   | 50   | 30    |  |        |        |             |                   |      |      |       |  | 70  | 50 | 30 | 50 | 30 |  |  |  |  |    |    |    |    |    |    |    |    |    |     |  |  |  |  |  |  |  |  |   |    |    |    |    |    |    |    |    |   |    |    |    |    |    |    |    |    |   |    |    |    |    |    |    |    |    |   |    |    |    |    |    |    |    |    |   |    |    |    |    |    |    |    |    |   |    |    |    |    |    |    |    |    |   |    |    |    |    |    |    |    |    |   |    |    |    |    |    |    |    |    |   |    |    |    |    |    |    |    |    |   |    |    |    |    |    |    |    |    |    |    |    |    |    |    |    |    |    |
|   |      | RCR         |      |      |       |  |        |        |             |                   |      |      |       |  |     |    |    |    |    |  |  |  |  |    |    |    |    |    |    |    |    |    |     |  |  |  |  |  |  |  |  |   |    |    |    |    |    |    |    |    |   |    |    |    |    |    |    |    |    |   |    |    |    |    |    |    |    |    |   |    |    |    |    |    |    |    |    |   |    |    |    |    |    |    |    |    |   |    |    |    |    |    |    |    |    |   |    |    |    |    |    |    |    |    |   |    |    |    |    |    |    |    |    |   |    |    |    |    |    |    |    |    |   |    |    |    |    |    |    |    |    |    |    |    |    |    |    |    |    |    |
|   |      | 0           | 93   | 93   | 93    |  |        |        |             |                   |      |      |       |  | 92  | 92 | 92 | 86 | 86 |  |  |  |  |    |    |    |    |    |    |    |    |    |     |  |  |  |  |  |  |  |  |   |    |    |    |    |    |    |    |    |   |    |    |    |    |    |    |    |    |   |    |    |    |    |    |    |    |    |   |    |    |    |    |    |    |    |    |   |    |    |    |    |    |    |    |    |   |    |    |    |    |    |    |    |    |   |    |    |    |    |    |    |    |    |   |    |    |    |    |    |    |    |    |   |    |    |    |    |    |    |    |    |   |    |    |    |    |    |    |    |    |    |    |    |    |    |    |    |    |    |
|   |      | 1           | 85   | 82   | 79    |  |        |        |             |                   |      |      |       |  | 83  | 81 | 78 | 78 | 75 |  |  |  |  |    |    |    |    |    |    |    |    |    |     |  |  |  |  |  |  |  |  |   |    |    |    |    |    |    |    |    |   |    |    |    |    |    |    |    |    |   |    |    |    |    |    |    |    |    |   |    |    |    |    |    |    |    |    |   |    |    |    |    |    |    |    |    |   |    |    |    |    |    |    |    |    |   |    |    |    |    |    |    |    |    |   |    |    |    |    |    |    |    |    |   |    |    |    |    |    |    |    |    |   |    |    |    |    |    |    |    |    |    |    |    |    |    |    |    |    |    |
|   |      | 2           | 79   | 72   | 68    |  |        |        |             |                   |      |      |       |  | 77  | 70 | 67 | 68 | 65 |  |  |  |  |    |    |    |    |    |    |    |    |    |     |  |  |  |  |  |  |  |  |   |    |    |    |    |    |    |    |    |   |    |    |    |    |    |    |    |    |   |    |    |    |    |    |    |    |    |   |    |    |    |    |    |    |    |    |   |    |    |    |    |    |    |    |    |   |    |    |    |    |    |    |    |    |   |    |    |    |    |    |    |    |    |   |    |    |    |    |    |    |    |    |   |    |    |    |    |    |    |    |    |   |    |    |    |    |    |    |    |    |    |    |    |    |    |    |    |    |    |
|   |      | 3           | 71   | 64   | 57    |  |        |        |             |                   |      |      |       |  | 69  | 63 | 56 | 60 | 56 |  |  |  |  |    |    |    |    |    |    |    |    |    |     |  |  |  |  |  |  |  |  |   |    |    |    |    |    |    |    |    |   |    |    |    |    |    |    |    |    |   |    |    |    |    |    |    |    |    |   |    |    |    |    |    |    |    |    |   |    |    |    |    |    |    |    |    |   |    |    |    |    |    |    |    |    |   |    |    |    |    |    |    |    |    |   |    |    |    |    |    |    |    |    |   |    |    |    |    |    |    |    |    |   |    |    |    |    |    |    |    |    |    |    |    |    |    |    |    |    |    |
|   |      | 4           | 66   | 56   | 51    |  |        |        |             |                   |      |      |       |  | 65  | 56 | 50 | 54 | 48 |  |  |  |  |    |    |    |    |    |    |    |    |    |     |  |  |  |  |  |  |  |  |   |    |    |    |    |    |    |    |    |   |    |    |    |    |    |    |    |    |   |    |    |    |    |    |    |    |    |   |    |    |    |    |    |    |    |    |   |    |    |    |    |    |    |    |    |   |    |    |    |    |    |    |    |    |   |    |    |    |    |    |    |    |    |   |    |    |    |    |    |    |    |    |   |    |    |    |    |    |    |    |    |   |    |    |    |    |    |    |    |    |    |    |    |    |    |    |    |    |    |
|   |      | 5           | 60   | 51   | 45    |  |        |        |             |                   |      |      |       |  | 59  | 51 | 44 | 48 | 42 |  |  |  |  |    |    |    |    |    |    |    |    |    |     |  |  |  |  |  |  |  |  |   |    |    |    |    |    |    |    |    |   |    |    |    |    |    |    |    |    |   |    |    |    |    |    |    |    |    |   |    |    |    |    |    |    |    |    |   |    |    |    |    |    |    |    |    |   |    |    |    |    |    |    |    |    |   |    |    |    |    |    |    |    |    |   |    |    |    |    |    |    |    |    |   |    |    |    |    |    |    |    |    |   |    |    |    |    |    |    |    |    |    |    |    |    |    |    |    |    |    |
|   |      | 6           | 56   | 46   | 40    | 55   | 46     | 39     | 44          | 39                |      |      |       |  |     |    |    |    |    |  |  |  |  |    |    |    |    |    |    |    |    |    |     |  |  |  |  |  |  |  |  |   |    |    |    |    |    |    |    |    |   |    |    |    |    |    |    |    |    |   |    |    |    |    |    |    |    |    |   |    |    |    |    |    |    |    |    |   |    |    |    |    |    |    |    |    |   |    |    |    |    |    |    |    |    |   |    |    |    |    |    |    |    |    |   |    |    |    |    |    |    |    |    |   |    |    |    |    |    |    |    |    |   |    |    |    |    |    |    |    |    |    |    |    |    |    |    |    |    |    |
| 7   | 52   | 41          | 34   | 51   | 40    | 34   | 40     | 34     |             |                   |      |      |       |  |     |    |    |    |    |  |  |  |  |    |    |    |    |    |    |    |    |    |     |  |  |  |  |  |  |  |  |   |    |    |    |    |    |    |    |    |   |    |    |    |    |    |    |    |    |   |    |    |    |    |    |    |    |    |   |    |    |    |    |    |    |    |    |   |    |    |    |    |    |    |    |    |   |    |    |    |    |    |    |    |    |   |    |    |    |    |    |    |    |    |   |    |    |    |    |    |    |    |    |   |    |    |    |    |    |    |    |    |   |    |    |    |    |    |    |    |    |    |    |    |    |    |    |    |    |    |
| 8   | 48   | 38          | 32   | 47   | 38    | 32   | 36     | 30     |             |                   |      |      |       |  |     |    |    |    |    |  |  |  |  |    |    |    |    |    |    |    |    |    |     |  |  |  |  |  |  |  |  |   |    |    |    |    |    |    |    |    |   |    |    |    |    |    |    |    |    |   |    |    |    |    |    |    |    |    |   |    |    |    |    |    |    |    |    |   |    |    |    |    |    |    |    |    |   |    |    |    |    |    |    |    |    |   |    |    |    |    |    |    |    |    |   |    |    |    |    |    |    |    |    |   |    |    |    |    |    |    |    |    |   |    |    |    |    |    |    |    |    |    |    |    |    |    |    |    |    |    |
| 9   | 46   | 34          | 28   | 45   | 34    | 28   | 34     | 28     |             |                   |      |      |       |  |     |    |    |    |    |  |  |  |  |    |    |    |    |    |    |    |    |    |     |  |  |  |  |  |  |  |  |   |    |    |    |    |    |    |    |    |   |    |    |    |    |    |    |    |    |   |    |    |    |    |    |    |    |    |   |    |    |    |    |    |    |    |    |   |    |    |    |    |    |    |    |    |   |    |    |    |    |    |    |    |    |   |    |    |    |    |    |    |    |    |   |    |    |    |    |    |    |    |    |   |    |    |    |    |    |    |    |    |   |    |    |    |    |    |    |    |    |    |    |    |    |    |    |    |    |    |
| 10  | 42   | 33          | 26   | 41   | 32    | 26   | 30     | 26     |             |                   |      |      |       |  |     |    |    |    |    |  |  |  |  |    |    |    |    |    |    |    |    |    |     |  |  |  |  |  |  |  |  |   |    |    |    |    |    |    |    |    |   |    |    |    |    |    |    |    |    |   |    |    |    |    |    |    |    |    |   |    |    |    |    |    |    |    |    |   |    |    |    |    |    |    |    |    |   |    |    |    |    |    |    |    |    |   |    |    |    |    |    |    |    |    |   |    |    |    |    |    |    |    |    |   |    |    |    |    |    |    |    |    |   |    |    |    |    |    |    |    |    |    |    |    |    |    |    |    |    |    |
| 30  | 2103 | 2248        | 2359 |      |       |  |        |        |             |                   |      |      |       |  |     |    |    |    |    |  |  |  |  |    |    |    |    |    |    |    |    |    |     |  |  |  |  |  |  |  |  |   |    |    |    |    |    |    |    |    |   |    |    |    |    |    |    |    |    |   |    |    |    |    |    |    |    |    |   |    |    |    |    |    |    |    |    |   |    |    |    |    |    |    |    |    |   |    |    |    |    |    |    |    |    |   |    |    |    |    |    |    |    |    |   |    |    |    |    |    |    |    |    |   |    |    |    |    |    |    |    |    |   |    |    |    |    |    |    |    |    |    |    |    |    |    |    |    |    |    |
| 35  | 1945 | 2141        | 2268 |      |       |  |        |        |             |                   |      |      |       |  |     |    |    |    |    |  |  |  |  |    |    |    |    |    |    |    |    |    |     |  |  |  |  |  |  |  |  |   |    |    |    |    |    |    |    |    |   |    |    |    |    |    |    |    |    |   |    |    |    |    |    |    |    |    |   |    |    |    |    |    |    |    |    |   |    |    |    |    |    |    |    |    |   |    |    |    |    |    |    |    |    |   |    |    |    |    |    |    |    |    |   |    |    |    |    |    |    |    |    |   |    |    |    |    |    |    |    |    |   |    |    |    |    |    |    |    |    |    |    |    |    |    |    |    |    |    |
| 40  | 1741 | 1981        | 2121 |      |       |  |        |        |             |                   |      |      |       |  |     |    |    |    |    |  |  |  |  |    |    |    |    |    |    |    |    |    |     |  |  |  |  |  |  |  |  |   |    |    |    |    |    |    |    |    |   |    |    |    |    |    |    |    |    |   |    |    |    |    |    |    |    |    |   |    |    |    |    |    |    |    |    |   |    |    |    |    |    |    |    |    |   |    |    |    |    |    |    |    |    |   |    |    |    |    |    |    |    |    |   |    |    |    |    |    |    |    |    |   |    |    |    |    |    |    |    |    |   |    |    |    |    |    |    |    |    |    |    |    |    |    |    |    |    |    |
| 45  | 1485 | 1758        | 1910 |      |       |  |        |        |             |                   |      |      |       |  |     |    |    |    |    |  |  |  |  |    |    |    |    |    |    |    |    |    |     |  |  |  |  |  |  |  |  |   |    |    |    |    |    |    |    |    |   |    |    |    |    |    |    |    |    |   |    |    |    |    |    |    |    |    |   |    |    |    |    |    |    |    |    |   |    |    |    |    |    |    |    |    |   |    |    |    |    |    |    |    |    |   |    |    |    |    |    |    |    |    |   |    |    |    |    |    |    |    |    |   |    |    |    |    |    |    |    |    |   |    |    |    |    |    |    |    |    |    |    |    |    |    |    |    |    |    |
| 50  | 1223 | 1469        | 1633 |      |       |  |        |        |             |                   |      |      |       |  |     |    |    |    |    |  |  |  |  |    |    |    |    |    |    |    |    |    |     |  |  |  |  |  |  |  |  |   |    |    |    |    |    |    |    |    |   |    |    |    |    |    |    |    |    |   |    |    |    |    |    |    |    |    |   |    |    |    |    |    |    |    |    |   |    |    |    |    |    |    |    |    |   |    |    |    |    |    |    |    |    |   |    |    |    |    |    |    |    |    |   |    |    |    |    |    |    |    |    |   |    |    |    |    |    |    |    |    |   |    |    |    |    |    |    |    |    |    |    |    |    |    |    |    |    |    |
| 55  | 953  | 1154        | 1314 |      |       |  |        |        |             |                   |      |      |       |  |     |    |    |    |    |  |  |  |  |    |    |    |    |    |    |    |    |    |     |  |  |  |  |  |  |  |  |   |    |    |    |    |    |    |    |    |   |    |    |    |    |    |    |    |    |   |    |    |    |    |    |    |    |    |   |    |    |    |    |    |    |    |    |   |    |    |    |    |    |    |    |    |   |    |    |    |    |    |    |    |    |   |    |    |    |    |    |    |    |    |   |    |    |    |    |    |    |    |    |   |    |    |    |    |    |    |    |    |   |    |    |    |    |    |    |    |    |    |    |    |    |    |    |    |    |    |
| 60  | 713  | 845         | 980  |      |       |  |        |        |             |                   |      |      |       |  |     |    |    |    |    |  |  |  |  |    |    |    |    |    |    |    |    |    |     |  |  |  |  |  |  |  |  |   |    |    |    |    |    |    |    |    |   |    |    |    |    |    |    |    |    |   |    |    |    |    |    |    |    |    |   |    |    |    |    |    |    |    |    |   |    |    |    |    |    |    |    |    |   |    |    |    |    |    |    |    |    |   |    |    |    |    |    |    |    |    |   |    |    |    |    |    |    |    |    |   |    |    |    |    |    |    |    |    |   |    |    |    |    |    |    |    |    |    |    |    |    |    |    |    |    |    |
| 65  | 523  | 581         | 692  |      |       |  |        |        |             |                   |      |      |       |  |     |    |    |    |    |  |  |  |  |    |    |    |    |    |    |    |    |    |     |  |  |  |  |  |  |  |  |   |    |    |    |    |    |    |    |    |   |    |    |    |    |    |    |    |    |   |    |    |    |    |    |    |    |    |   |    |    |    |    |    |    |    |    |   |    |    |    |    |    |    |    |    |   |    |    |    |    |    |    |    |    |   |    |    |    |    |    |    |    |    |   |    |    |    |    |    |    |    |    |   |    |    |    |    |    |    |    |    |   |    |    |    |    |    |    |    |    |    |    |    |    |    |    |    |    |    |
| 70  | 393  | 390         | 464  |      |       |  |        |        |             |                   |      |      |       |  |     |    |    |    |    |  |  |  |  |    |    |    |    |    |    |    |    |    |     |  |  |  |  |  |  |  |  |   |    |    |    |    |    |    |    |    |   |    |    |    |    |    |    |    |    |   |    |    |    |    |    |    |    |    |   |    |    |    |    |    |    |    |    |   |    |    |    |    |    |    |    |    |   |    |    |    |    |    |    |    |    |   |    |    |    |    |    |    |    |    |   |    |    |    |    |    |    |    |    |   |    |    |    |    |    |    |    |    |   |    |    |    |    |    |    |    |    |    |    |    |    |    |    |    |    |    |
| 75  | 307  | 284         | 317  |      |       |  |        |        |             |                   |      |      |       |  |     |    |    |    |    |  |  |  |  |    |    |    |    |    |    |    |    |    |     |  |  |  |  |  |  |  |  |   |    |    |    |    |    |    |    |    |   |    |    |    |    |    |    |    |    |   |    |    |    |    |    |    |    |    |   |    |    |    |    |    |    |    |    |   |    |    |    |    |    |    |    |    |   |    |    |    |    |    |    |    |    |   |    |    |    |    |    |    |    |    |   |    |    |    |    |    |    |    |    |   |    |    |    |    |    |    |    |    |   |    |    |    |    |    |    |    |    |    |    |    |    |    |    |    |    |    |
| 80  | 224  | 212         | 208  |      |       |  |        |        |             |                   |      |      |       |  |     |    |    |    |    |  |  |  |  |    |    |    |    |    |    |    |    |    |     |  |  |  |  |  |  |  |  |   |    |    |    |    |    |    |    |    |   |    |    |    |    |    |    |    |    |   |    |    |    |    |    |    |    |    |   |    |    |    |    |    |    |    |    |   |    |    |    |    |    |    |    |    |   |    |    |    |    |    |    |    |    |   |    |    |    |    |    |    |    |    |   |    |    |    |    |    |    |    |    |   |    |    |    |    |    |    |    |    |   |    |    |    |    |    |    |    |    |    |    |    |    |    |    |    |    |    |
| 85  | 123  | 115         | 106  |      |       |  |        |        |             |                   |      |      |       |  |     |    |    |    |    |  |  |  |  |    |    |    |    |    |    |    |    |    |     |  |  |  |  |  |  |  |  |   |    |    |    |    |    |    |    |    |   |    |    |    |    |    |    |    |    |   |    |    |    |    |    |    |    |    |   |    |    |    |    |    |    |    |    |   |    |    |    |    |    |    |    |    |   |    |    |    |    |    |    |    |    |   |    |    |    |    |    |    |    |    |   |    |    |    |    |    |    |    |    |   |    |    |    |    |    |    |    |    |   |    |    |    |    |    |    |    |    |    |    |    |    |    |    |    |    |    |

# 2SMR Surface Modular luminaire 2x4

T5, T5HO, or T8

## Dimensions



## Photometry

### Surface Modular 4 Lamp T8

Efficiency – 77.8%

LER – 72

TER – 63

| Catalog No.    | 2SMR432-FS01-1/4-EB | Candlepower |      |      |       | Light Distribution   |        |        |             | Average Luminance |      |      |       |    |    |    |    |    |    |    |    |    |    |    |    |    |    |    |    |    |     |  |  |  |  |  |  |  |  |   |    |    |    |    |    |    |    |    |   |    |    |    |    |    |    |    |    |   |    |    |    |    |    |    |    |    |   |    |    |    |    |    |    |    |    |   |    |    |    |    |    |    |    |    |   |    |    |    |    |    |    |    |    |   |    |    |    |    |    |    |    |    |   |    |    |    |    |    |    |    |    |   |    |    |    |    |    |    |    |    |   |    |    |    |    |    |    |    |    |    |    |    |    |    |    |    |    |    |
|----------------|---------------------|-------------|------|------|-------|--|--------|--------|-------------|-------------------|------|------|-------|----|----|----|----|----|----|----|----|----|----|----|----|----|----|----|----|----|-----|--|--|--|--|--|--|--|--|---|----|----|----|----|----|----|----|----|---|----|----|----|----|----|----|----|----|---|----|----|----|----|----|----|----|----|---|----|----|----|----|----|----|----|----|---|----|----|----|----|----|----|----|----|---|----|----|----|----|----|----|----|----|---|----|----|----|----|----|----|----|----|---|----|----|----|----|----|----|----|----|---|----|----|----|----|----|----|----|----|---|----|----|----|----|----|----|----|----|----|----|----|----|----|----|----|----|----|
|                |                     | Angle       | End  | 45   | Cross | Degrees  | Lumens | % Lamp | % Luminaire | Angle             | End  | 45°  | Cross |    |    |    |    |    |    |    |    |    |    |    |    |    |    |    |    |    |     |  |  |  |  |  |  |  |  |   |    |    |    |    |    |    |    |    |   |    |    |    |    |    |    |    |    |   |    |    |    |    |    |    |    |    |   |    |    |    |    |    |    |    |    |   |    |    |    |    |    |    |    |    |   |    |    |    |    |    |    |    |    |   |    |    |    |    |    |    |    |    |   |    |    |    |    |    |    |    |    |   |    |    |    |    |    |    |    |    |   |    |    |    |    |    |    |    |    |    |    |    |    |    |    |    |    |    |
| Test No.       | 25199               | 0           | 3269 | 3269 | 3269  | 0-30   | 2628   | 23.1   | 29.6        | 45                | 4277 | 5183 | 5553  |    |    |    |    |    |    |    |    |    |    |    |    |    |    |    |    |    |     |  |  |  |  |  |  |  |  |   |    |    |    |    |    |    |    |    |   |    |    |    |    |    |    |    |    |   |    |    |    |    |    |    |    |    |   |    |    |    |    |    |    |    |    |   |    |    |    |    |    |    |    |    |   |    |    |    |    |    |    |    |    |   |    |    |    |    |    |    |    |    |   |    |    |    |    |    |    |    |    |   |    |    |    |    |    |    |    |    |   |    |    |    |    |    |    |    |    |    |    |    |    |    |    |    |    |    |
| S/MH           | 1.4                 | 5           | 3285 | 3258 | 3245  | 0-40   | 4379   | 38.4   | 49.4        | 55                | 3385 | 4187 | 4643  |    |    |    |    |    |    |    |    |    |    |    |    |    |    |    |    |    |     |  |  |  |  |  |  |  |  |   |    |    |    |    |    |    |    |    |   |    |    |    |    |    |    |    |    |   |    |    |    |    |    |    |    |    |   |    |    |    |    |    |    |    |    |   |    |    |    |    |    |    |    |    |   |    |    |    |    |    |    |    |    |   |    |    |    |    |    |    |    |    |   |    |    |    |    |    |    |    |    |   |    |    |    |    |    |    |    |    |   |    |    |    |    |    |    |    |    |    |    |    |    |    |    |    |    |    |
| Lamp Type      | F32T8               | 10          | 3238 | 3236 | 3239  | 0-60   | 7504   | 65.8   | 84.6        | 65                | 2517 | 2840 | 3180  |    |    |    |    |    |    |    |    |    |    |    |    |    |    |    |    |    |     |  |  |  |  |  |  |  |  |   |    |    |    |    |    |    |    |    |   |    |    |    |    |    |    |    |    |   |    |    |    |    |    |    |    |    |   |    |    |    |    |    |    |    |    |   |    |    |    |    |    |    |    |    |   |    |    |    |    |    |    |    |    |   |    |    |    |    |    |    |    |    |   |    |    |    |    |    |    |    |    |   |    |    |    |    |    |    |    |    |   |    |    |    |    |    |    |    |    |    |    |    |    |    |    |    |    |    |
| Ballast Factor | .88                 | 15          | 3165 | 3205 | 3233  | 0-90   | 8866   | 77.8   | 100.0       | 75                | 2387 | 2214 | 2465  |    |    |    |    |    |    |    |    |    |    |    |    |    |    |    |    |    |     |  |  |  |  |  |  |  |  |   |    |    |    |    |    |    |    |    |   |    |    |    |    |    |    |    |    |   |    |    |    |    |    |    |    |    |   |    |    |    |    |    |    |    |    |   |    |    |    |    |    |    |    |    |   |    |    |    |    |    |    |    |    |   |    |    |    |    |    |    |    |    |   |    |    |    |    |    |    |    |    |   |    |    |    |    |    |    |    |    |   |    |    |    |    |    |    |    |    |    |    |    |    |    |    |    |    |    |
| Input Watts    | 109                 | 20          | 3067 | 3156 | 3207  |  |        |        |             | 85                | 2860 | 2807 | 2701  |    |    |    |    |    |    |    |    |    |    |    |    |    |    |    |    |    |     |  |  |  |  |  |  |  |  |   |    |    |    |    |    |    |    |    |   |    |    |    |    |    |    |    |    |   |    |    |    |    |    |    |    |    |   |    |    |    |    |    |    |    |    |   |    |    |    |    |    |    |    |    |   |    |    |    |    |    |    |    |    |   |    |    |    |    |    |    |    |    |   |    |    |    |    |    |    |    |    |   |    |    |    |    |    |    |    |    |   |    |    |    |    |    |    |    |    |    |    |    |    |    |    |    |    |    |
|                |                     | 25          | 2937 | 3079 | 3163  | <b>Coefficients of Utilization</b><br><b>EFFECTIVE FLOOR CAVITY REFLECTANCE 20 PER (pfc=0.20)</b><br><table border="1"> <thead> <tr> <th>pcc</th> <th>80</th> <th>70</th> <th>50</th> <th>70</th> <th>50</th> <th>30</th> <th>50</th> <th>30</th> </tr> </thead> <tbody> <tr> <td>pw</td> <td>70</td> <td>50</td> <td>30</td> <td>70</td> <td>50</td> <td>30</td> <td>50</td> <td>30</td> </tr> <tr> <td>RCR</td> <td></td> <td></td> <td></td> <td></td> <td></td> <td></td> <td></td> <td></td> </tr> <tr> <td>0</td> <td>93</td> <td>93</td> <td>93</td> <td>90</td> <td>90</td> <td>90</td> <td>85</td> <td>85</td> </tr> <tr> <td>1</td> <td>84</td> <td>81</td> <td>79</td> <td>82</td> <td>80</td> <td>77</td> <td>77</td> <td>73</td> </tr> <tr> <td>2</td> <td>78</td> <td>71</td> <td>67</td> <td>76</td> <td>69</td> <td>66</td> <td>68</td> <td>64</td> </tr> <tr> <td>3</td> <td>70</td> <td>64</td> <td>57</td> <td>69</td> <td>61</td> <td>56</td> <td>59</td> <td>55</td> </tr> <tr> <td>4</td> <td>66</td> <td>56</td> <td>50</td> <td>64</td> <td>56</td> <td>50</td> <td>54</td> <td>47</td> </tr> <tr> <td>5</td> <td>59</td> <td>51</td> <td>44</td> <td>58</td> <td>50</td> <td>44</td> <td>47</td> <td>42</td> </tr> <tr> <td>6</td> <td>56</td> <td>46</td> <td>39</td> <td>54</td> <td>45</td> <td>39</td> <td>44</td> <td>38</td> </tr> <tr> <td>7</td> <td>52</td> <td>41</td> <td>34</td> <td>51</td> <td>40</td> <td>34</td> <td>40</td> <td>34</td> </tr> <tr> <td>8</td> <td>47</td> <td>38</td> <td>32</td> <td>46</td> <td>36</td> <td>30</td> <td>35</td> <td>30</td> </tr> <tr> <td>9</td> <td>45</td> <td>34</td> <td>28</td> <td>44</td> <td>34</td> <td>28</td> <td>34</td> <td>28</td> </tr> <tr> <td>10</td> <td>41</td> <td>32</td> <td>26</td> <td>40</td> <td>32</td> <td>26</td> <td>30</td> <td>26</td> </tr> </tbody> </table> |        |        |             |                   |      |      | pcc   | 80 | 70 | 50 | 70 | 50 | 30 | 50 | 30 | pw | 70 | 50 | 30 | 70 | 50 | 30 | 50 | 30 | RCR |  |  |  |  |  |  |  |  | 0 | 93 | 93 | 93 | 90 | 90 | 90 | 85 | 85 | 1 | 84 | 81 | 79 | 82 | 80 | 77 | 77 | 73 | 2 | 78 | 71 | 67 | 76 | 69 | 66 | 68 | 64 | 3 | 70 | 64 | 57 | 69 | 61 | 56 | 59 | 55 | 4 | 66 | 56 | 50 | 64 | 56 | 50 | 54 | 47 | 5 | 59 | 51 | 44 | 58 | 50 | 44 | 47 | 42 | 6 | 56 | 46 | 39 | 54 | 45 | 39 | 44 | 38 | 7 | 52 | 41 | 34 | 51 | 40 | 34 | 40 | 34 | 8 | 47 | 38 | 32 | 46 | 36 | 30 | 35 | 30 | 9 | 45 | 34 | 28 | 44 | 34 | 28 | 34 | 28 | 10 | 41 | 32 | 26 | 40 | 32 | 26 | 30 | 26 |
| pcc            | 80                  | 70          | 50   | 70   | 50    |  |        |        |             |                   |      |      | 30    | 50 | 30 |    |    |    |    |    |    |    |    |    |    |    |    |    |    |    |     |  |  |  |  |  |  |  |  |   |    |    |    |    |    |    |    |    |   |    |    |    |    |    |    |    |    |   |    |    |    |    |    |    |    |    |   |    |    |    |    |    |    |    |    |   |    |    |    |    |    |    |    |    |   |    |    |    |    |    |    |    |    |   |    |    |    |    |    |    |    |    |   |    |    |    |    |    |    |    |    |   |    |    |    |    |    |    |    |    |   |    |    |    |    |    |    |    |    |    |    |    |    |    |    |    |    |    |
| pw             | 70                  | 50          | 30   | 70   | 50    |  |        |        |             |                   |      |      | 30    | 50 | 30 |    |    |    |    |    |    |    |    |    |    |    |    |    |    |    |     |  |  |  |  |  |  |  |  |   |    |    |    |    |    |    |    |    |   |    |    |    |    |    |    |    |    |   |    |    |    |    |    |    |    |    |   |    |    |    |    |    |    |    |    |   |    |    |    |    |    |    |    |    |   |    |    |    |    |    |    |    |    |   |    |    |    |    |    |    |    |    |   |    |    |    |    |    |    |    |    |   |    |    |    |    |    |    |    |    |   |    |    |    |    |    |    |    |    |    |    |    |    |    |    |    |    |    |
| RCR            |                     |             |      |      |       |  |        |        |             |                   |      |      |       |    |    |    |    |    |    |    |    |    |    |    |    |    |    |    |    |    |     |  |  |  |  |  |  |  |  |   |    |    |    |    |    |    |    |    |   |    |    |    |    |    |    |    |    |   |    |    |    |    |    |    |    |    |   |    |    |    |    |    |    |    |    |   |    |    |    |    |    |    |    |    |   |    |    |    |    |    |    |    |    |   |    |    |    |    |    |    |    |    |   |    |    |    |    |    |    |    |    |   |    |    |    |    |    |    |    |    |   |    |    |    |    |    |    |    |    |    |    |    |    |    |    |    |    |    |
| 0              | 93                  | 93          | 93   | 90   | 90    |  |        |        |             |                   |      |      | 90    | 85 | 85 |    |    |    |    |    |    |    |    |    |    |    |    |    |    |    |     |  |  |  |  |  |  |  |  |   |    |    |    |    |    |    |    |    |   |    |    |    |    |    |    |    |    |   |    |    |    |    |    |    |    |    |   |    |    |    |    |    |    |    |    |   |    |    |    |    |    |    |    |    |   |    |    |    |    |    |    |    |    |   |    |    |    |    |    |    |    |    |   |    |    |    |    |    |    |    |    |   |    |    |    |    |    |    |    |    |   |    |    |    |    |    |    |    |    |    |    |    |    |    |    |    |    |    |
| 1              | 84                  | 81          | 79   | 82   | 80    |  |        |        |             |                   |      |      | 77    | 77 | 73 |    |    |    |    |    |    |    |    |    |    |    |    |    |    |    |     |  |  |  |  |  |  |  |  |   |    |    |    |    |    |    |    |    |   |    |    |    |    |    |    |    |    |   |    |    |    |    |    |    |    |    |   |    |    |    |    |    |    |    |    |   |    |    |    |    |    |    |    |    |   |    |    |    |    |    |    |    |    |   |    |    |    |    |    |    |    |    |   |    |    |    |    |    |    |    |    |   |    |    |    |    |    |    |    |    |   |    |    |    |    |    |    |    |    |    |    |    |    |    |    |    |    |    |
| 2              | 78                  | 71          | 67   | 76   | 69    |  |        |        |             |                   |      |      | 66    | 68 | 64 |    |    |    |    |    |    |    |    |    |    |    |    |    |    |    |     |  |  |  |  |  |  |  |  |   |    |    |    |    |    |    |    |    |   |    |    |    |    |    |    |    |    |   |    |    |    |    |    |    |    |    |   |    |    |    |    |    |    |    |    |   |    |    |    |    |    |    |    |    |   |    |    |    |    |    |    |    |    |   |    |    |    |    |    |    |    |    |   |    |    |    |    |    |    |    |    |   |    |    |    |    |    |    |    |    |   |    |    |    |    |    |    |    |    |    |    |    |    |    |    |    |    |    |
| 3              | 70                  | 64          | 57   | 69   | 61    |  |        |        |             |                   |      |      | 56    | 59 | 55 |    |    |    |    |    |    |    |    |    |    |    |    |    |    |    |     |  |  |  |  |  |  |  |  |   |    |    |    |    |    |    |    |    |   |    |    |    |    |    |    |    |    |   |    |    |    |    |    |    |    |    |   |    |    |    |    |    |    |    |    |   |    |    |    |    |    |    |    |    |   |    |    |    |    |    |    |    |    |   |    |    |    |    |    |    |    |    |   |    |    |    |    |    |    |    |    |   |    |    |    |    |    |    |    |    |   |    |    |    |    |    |    |    |    |    |    |    |    |    |    |    |    |    |
| 4              | 66                  | 56          | 50   | 64   | 56    |  |        |        |             |                   |      |      | 50    | 54 | 47 |    |    |    |    |    |    |    |    |    |    |    |    |    |    |    |     |  |  |  |  |  |  |  |  |   |    |    |    |    |    |    |    |    |   |    |    |    |    |    |    |    |    |   |    |    |    |    |    |    |    |    |   |    |    |    |    |    |    |    |    |   |    |    |    |    |    |    |    |    |   |    |    |    |    |    |    |    |    |   |    |    |    |    |    |    |    |    |   |    |    |    |    |    |    |    |    |   |    |    |    |    |    |    |    |    |   |    |    |    |    |    |    |    |    |    |    |    |    |    |    |    |    |    |
| 5              | 59                  | 51          | 44   | 58   | 50    |  |        |        |             |                   |      |      | 44    | 47 | 42 |    |    |    |    |    |    |    |    |    |    |    |    |    |    |    |     |  |  |  |  |  |  |  |  |   |    |    |    |    |    |    |    |    |   |    |    |    |    |    |    |    |    |   |    |    |    |    |    |    |    |    |   |    |    |    |    |    |    |    |    |   |    |    |    |    |    |    |    |    |   |    |    |    |    |    |    |    |    |   |    |    |    |    |    |    |    |    |   |    |    |    |    |    |    |    |    |   |    |    |    |    |    |    |    |    |   |    |    |    |    |    |    |    |    |    |    |    |    |    |    |    |    |    |
| 6              | 56                  | 46          | 39   | 54   | 45    | 39   | 44     | 38     |             |                   |      |      |       |    |    |    |    |    |    |    |    |    |    |    |    |    |    |    |    |    |     |  |  |  |  |  |  |  |  |   |    |    |    |    |    |    |    |    |   |    |    |    |    |    |    |    |    |   |    |    |    |    |    |    |    |    |   |    |    |    |    |    |    |    |    |   |    |    |    |    |    |    |    |    |   |    |    |    |    |    |    |    |    |   |    |    |    |    |    |    |    |    |   |    |    |    |    |    |    |    |    |   |    |    |    |    |    |    |    |    |   |    |    |    |    |    |    |    |    |    |    |    |    |    |    |    |    |    |
| 7              | 52                  | 41          | 34   | 51   | 40    | 34   | 40     | 34     |             |                   |      |      |       |    |    |    |    |    |    |    |    |    |    |    |    |    |    |    |    |    |     |  |  |  |  |  |  |  |  |   |    |    |    |    |    |    |    |    |   |    |    |    |    |    |    |    |    |   |    |    |    |    |    |    |    |    |   |    |    |    |    |    |    |    |    |   |    |    |    |    |    |    |    |    |   |    |    |    |    |    |    |    |    |   |    |    |    |    |    |    |    |    |   |    |    |    |    |    |    |    |    |   |    |    |    |    |    |    |    |    |   |    |    |    |    |    |    |    |    |    |    |    |    |    |    |    |    |    |
| 8              | 47                  | 38          | 32   | 46   | 36    | 30   | 35     | 30     |             |                   |      |      |       |    |    |    |    |    |    |    |    |    |    |    |    |    |    |    |    |    |     |  |  |  |  |  |  |  |  |   |    |    |    |    |    |    |    |    |   |    |    |    |    |    |    |    |    |   |    |    |    |    |    |    |    |    |   |    |    |    |    |    |    |    |    |   |    |    |    |    |    |    |    |    |   |    |    |    |    |    |    |    |    |   |    |    |    |    |    |    |    |    |   |    |    |    |    |    |    |    |    |   |    |    |    |    |    |    |    |    |   |    |    |    |    |    |    |    |    |    |    |    |    |    |    |    |    |    |
| 9              | 45                  | 34          | 28   | 44   | 34    | 28   | 34     | 28     |             |                   |      |      |       |    |    |    |    |    |    |    |    |    |    |    |    |    |    |    |    |    |     |  |  |  |  |  |  |  |  |   |    |    |    |    |    |    |    |    |   |    |    |    |    |    |    |    |    |   |    |    |    |    |    |    |    |    |   |    |    |    |    |    |    |    |    |   |    |    |    |    |    |    |    |    |   |    |    |    |    |    |    |    |    |   |    |    |    |    |    |    |    |    |   |    |    |    |    |    |    |    |    |   |    |    |    |    |    |    |    |    |   |    |    |    |    |    |    |    |    |    |    |    |    |    |    |    |    |    |
| 10             | 41                  | 32          | 26   | 40   | 32    | 26   | 30     | 26     |             |                   |      |      |       |    |    |    |    |    |    |    |    |    |    |    |    |    |    |    |    |    |     |  |  |  |  |  |  |  |  |   |    |    |    |    |    |    |    |    |   |    |    |    |    |    |    |    |    |   |    |    |    |    |    |    |    |    |   |    |    |    |    |    |    |    |    |   |    |    |    |    |    |    |    |    |   |    |    |    |    |    |    |    |    |   |    |    |    |    |    |    |    |    |   |    |    |    |    |    |    |    |    |   |    |    |    |    |    |    |    |    |   |    |    |    |    |    |    |    |    |    |    |    |    |    |    |    |    |    |
|                |                     | 30          | 2769 | 2973 | 3086  |  |        |        |             |                   |      |      |       |    |    |    |    |    |    |    |    |    |    |    |    |    |    |    |    |    |     |  |  |  |  |  |  |  |  |   |    |    |    |    |    |    |    |    |   |    |    |    |    |    |    |    |    |   |    |    |    |    |    |    |    |    |   |    |    |    |    |    |    |    |    |   |    |    |    |    |    |    |    |    |   |    |    |    |    |    |    |    |    |   |    |    |    |    |    |    |    |    |   |    |    |    |    |    |    |    |    |   |    |    |    |    |    |    |    |    |   |    |    |    |    |    |    |    |    |    |    |    |    |    |    |    |    |    |
|                |                     | 35          | 2561 | 2836 | 2973  |  |        |        |             |                   |      |      |       |    |    |    |    |    |    |    |    |    |    |    |    |    |    |    |    |    |     |  |  |  |  |  |  |  |  |   |    |    |    |    |    |    |    |    |   |    |    |    |    |    |    |    |    |   |    |    |    |    |    |    |    |    |   |    |    |    |    |    |    |    |    |   |    |    |    |    |    |    |    |    |   |    |    |    |    |    |    |    |    |   |    |    |    |    |    |    |    |    |   |    |    |    |    |    |    |    |    |   |    |    |    |    |    |    |    |    |   |    |    |    |    |    |    |    |    |    |    |    |    |    |    |    |    |    |
|                |                     | 40          | 2300 | 2645 | 2807  |  |        |        |             |                   |      |      |       |    |    |    |    |    |    |    |    |    |    |    |    |    |    |    |    |    |     |  |  |  |  |  |  |  |  |   |    |    |    |    |    |    |    |    |   |    |    |    |    |    |    |    |    |   |    |    |    |    |    |    |    |    |   |    |    |    |    |    |    |    |    |   |    |    |    |    |    |    |    |    |   |    |    |    |    |    |    |    |    |   |    |    |    |    |    |    |    |    |   |    |    |    |    |    |    |    |    |   |    |    |    |    |    |    |    |    |   |    |    |    |    |    |    |    |    |    |    |    |    |    |    |    |    |    |
|                |                     | 45          | 1953 | 2367 | 2536  |  |        |        |             |                   |      |      |       |    |    |    |    |    |    |    |    |    |    |    |    |    |    |    |    |    |     |  |  |  |  |  |  |  |  |   |    |    |    |    |    |    |    |    |   |    |    |    |    |    |    |    |    |   |    |    |    |    |    |    |    |    |   |    |    |    |    |    |    |    |    |   |    |    |    |    |    |    |    |    |   |    |    |    |    |    |    |    |    |   |    |    |    |    |    |    |    |    |   |    |    |    |    |    |    |    |    |   |    |    |    |    |    |    |    |    |   |    |    |    |    |    |    |    |    |    |    |    |    |    |    |    |    |    |
|                |                     | 50          | 1601 | 1977 | 2164  |  |        |        |             |                   |      |      |       |    |    |    |    |    |    |    |    |    |    |    |    |    |    |    |    |    |     |  |  |  |  |  |  |  |  |   |    |    |    |    |    |    |    |    |   |    |    |    |    |    |    |    |    |   |    |    |    |    |    |    |    |    |   |    |    |    |    |    |    |    |    |   |    |    |    |    |    |    |    |    |   |    |    |    |    |    |    |    |    |   |    |    |    |    |    |    |    |    |   |    |    |    |    |    |    |    |    |   |    |    |    |    |    |    |    |    |   |    |    |    |    |    |    |    |    |    |    |    |    |    |    |    |    |    |
|                |                     | 55          | 1254 | 1551 | 1720  |  |        |        |             |                   |      |      |       |    |    |    |    |    |    |    |    |    |    |    |    |    |    |    |    |    |     |  |  |  |  |  |  |  |  |   |    |    |    |    |    |    |    |    |   |    |    |    |    |    |    |    |    |   |    |    |    |    |    |    |    |    |   |    |    |    |    |    |    |    |    |   |    |    |    |    |    |    |    |    |   |    |    |    |    |    |    |    |    |   |    |    |    |    |    |    |    |    |   |    |    |    |    |    |    |    |    |   |    |    |    |    |    |    |    |    |   |    |    |    |    |    |    |    |    |    |    |    |    |    |    |    |    |    |
|                |                     | 60          | 931  | 1132 | 1254  |  |        |        |             |                   |      |      |       |    |    |    |    |    |    |    |    |    |    |    |    |    |    |    |    |    |     |  |  |  |  |  |  |  |  |   |    |    |    |    |    |    |    |    |   |    |    |    |    |    |    |    |    |   |    |    |    |    |    |    |    |    |   |    |    |    |    |    |    |    |    |   |    |    |    |    |    |    |    |    |   |    |    |    |    |    |    |    |    |   |    |    |    |    |    |    |    |    |   |    |    |    |    |    |    |    |    |   |    |    |    |    |    |    |    |    |   |    |    |    |    |    |    |    |    |    |    |    |    |    |    |    |    |    |
|                |                     | 65          | 687  | 775  | 868   |  |        |        |             |                   |      |      |       |    |    |    |    |    |    |    |    |    |    |    |    |    |    |    |    |    |     |  |  |  |  |  |  |  |  |   |    |    |    |    |    |    |    |    |   |    |    |    |    |    |    |    |    |   |    |    |    |    |    |    |    |    |   |    |    |    |    |    |    |    |    |   |    |    |    |    |    |    |    |    |   |    |    |    |    |    |    |    |    |   |    |    |    |    |    |    |    |    |   |    |    |    |    |    |    |    |    |   |    |    |    |    |    |    |    |    |   |    |    |    |    |    |    |    |    |    |    |    |    |    |    |    |    |    |
|                |                     | 70          | 520  | 511  | 598   |  |        |        |             |                   |      |      |       |    |    |    |    |    |    |    |    |    |    |    |    |    |    |    |    |    |     |  |  |  |  |  |  |  |  |   |    |    |    |    |    |    |    |    |   |    |    |    |    |    |    |    |    |   |    |    |    |    |    |    |    |    |   |    |    |    |    |    |    |    |    |   |    |    |    |    |    |    |    |    |   |    |    |    |    |    |    |    |    |   |    |    |    |    |    |    |    |    |   |    |    |    |    |    |    |    |    |   |    |    |    |    |    |    |    |    |   |    |    |    |    |    |    |    |    |    |    |    |    |    |    |    |    |    |
|                |                     | 75          | 399  | 370  | 412   |  |        |        |             |                   |      |      |       |    |    |    |    |    |    |    |    |    |    |    |    |    |    |    |    |    |     |  |  |  |  |  |  |  |  |   |    |    |    |    |    |    |    |    |   |    |    |    |    |    |    |    |    |   |    |    |    |    |    |    |    |    |   |    |    |    |    |    |    |    |    |   |    |    |    |    |    |    |    |    |   |    |    |    |    |    |    |    |    |   |    |    |    |    |    |    |    |    |   |    |    |    |    |    |    |    |    |   |    |    |    |    |    |    |    |    |   |    |    |    |    |    |    |    |    |    |    |    |    |    |    |    |    |    |
|                |                     | 80          | 293  | 281  | 274   |  |        |        |             |                   |      |      |       |    |    |    |    |    |    |    |    |    |    |    |    |    |    |    |    |    |     |  |  |  |  |  |  |  |  |   |    |    |    |    |    |    |    |    |   |    |    |    |    |    |    |    |    |   |    |    |    |    |    |    |    |    |   |    |    |    |    |    |    |    |    |   |    |    |    |    |    |    |    |    |   |    |    |    |    |    |    |    |    |   |    |    |    |    |    |    |    |    |   |    |    |    |    |    |    |    |    |   |    |    |    |    |    |    |    |    |   |    |    |    |    |    |    |    |    |    |    |    |    |    |    |    |    |    |
|                |                     | 85          | 161  | 158  | 152   |  |        |        |             |                   |      |      |       |    |    |    |    |    |    |    |    |    |    |    |    |    |    |    |    |    |     |  |  |  |  |  |  |  |  |   |    |    |    |    |    |    |    |    |   |    |    |    |    |    |    |    |    |   |    |    |    |    |    |    |    |    |   |    |    |    |    |    |    |    |    |   |    |    |    |    |    |    |    |    |   |    |    |    |    |    |    |    |    |   |    |    |    |    |    |    |    |    |   |    |    |    |    |    |    |    |    |   |    |    |    |    |    |    |    |    |   |    |    |    |    |    |    |    |    |    |    |    |    |    |    |    |    |    |

Comparative yearly lighting energy cost per 1000 lumens – \$3.33 based on 3000 hrs. and \$.08 pwr KWH.

The photometric results were obtained in the Day-Brite laboratory which is NVLAP accredited by the National Institute of Standards and Technology.



Some luminaires use fluorescent or high intensity discharge (HID) lamps that contain small amounts of mercury. Such lamps are labeled, "Contain Mercury" and/or the symbol "HG". Lamps that contain mercury must be disposed of in accordance with local requirements. Information regarding lamp recycling and disposal can be found at [www.lamprecycle.org](http://www.lamprecycle.org)

