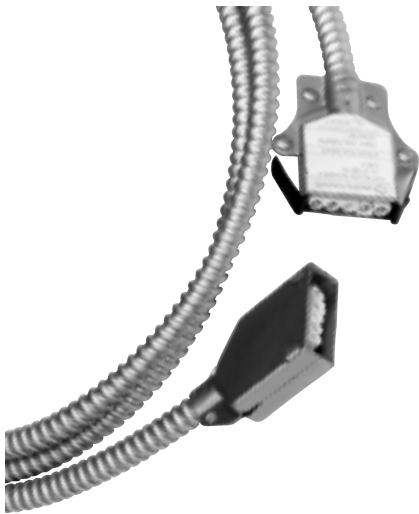


LIGHTING CABLES "CROSSOVER"



SAMPLE CATALOG NUMBER: LC-27-2E-09

LC	
<u>DESIGNATOR</u>	<u>WIRING CONFIGURATION</u>
LC – Lighting Cable	2X – 2 circuit crossover 3X – 3 circuit crossover
<u>VOLTAGE</u>	<u>LENGTH</u>
12 – 120v	05 – 05'
20 – 208v*	07 – 07'
24 – 240v*	09 – 9'
27 – 277v	11 – 11'
34 – 347v	13 – 13'
48 – 480v*	15 – 15'
	17 – 17'
	21 – 21'
	25 – 25'
	30 – 30'

*Consult factory for these applications.

APPLICATION

- Pre-fabricated distribution cables replace conventional conduit and wire to distribute branch lighting circuits from a junction box.
- Crossover cable crosses circuits or switch legs within system.

ELECTRICAL

- UL/cUL listed.

CONSTRUCTION

- Pre-wired with male (power-in) female (power-out) configuration.
- Internal wires are #12 AWG THHN stranded copper, 600 volt, plus a bare #12 AWG solid tinned copper ground conductor.
- Galvanized steel cable.
- Cable heads are 18 gauge steel, zinc plated.
- Spring steel latches are on the male (power-in) cable head.
- Two circuit and three circuit cable sets are available.

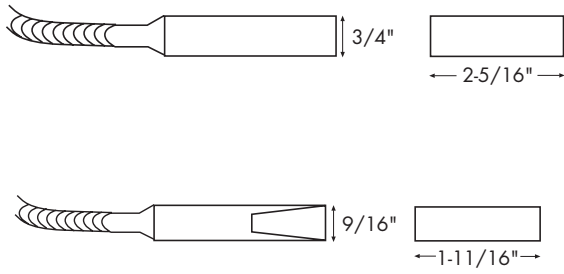
Job Name:

Catalog Number:

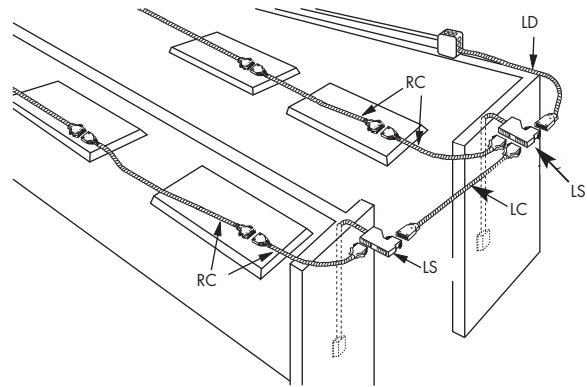
Type:

Notes:

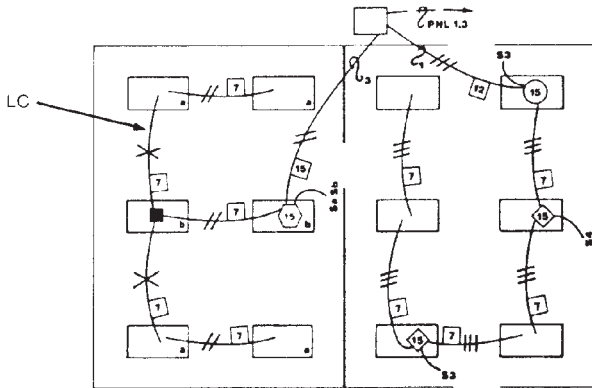
DIMENSIONS



APPLICATION



WIRING



WIRING DIAGRAM

