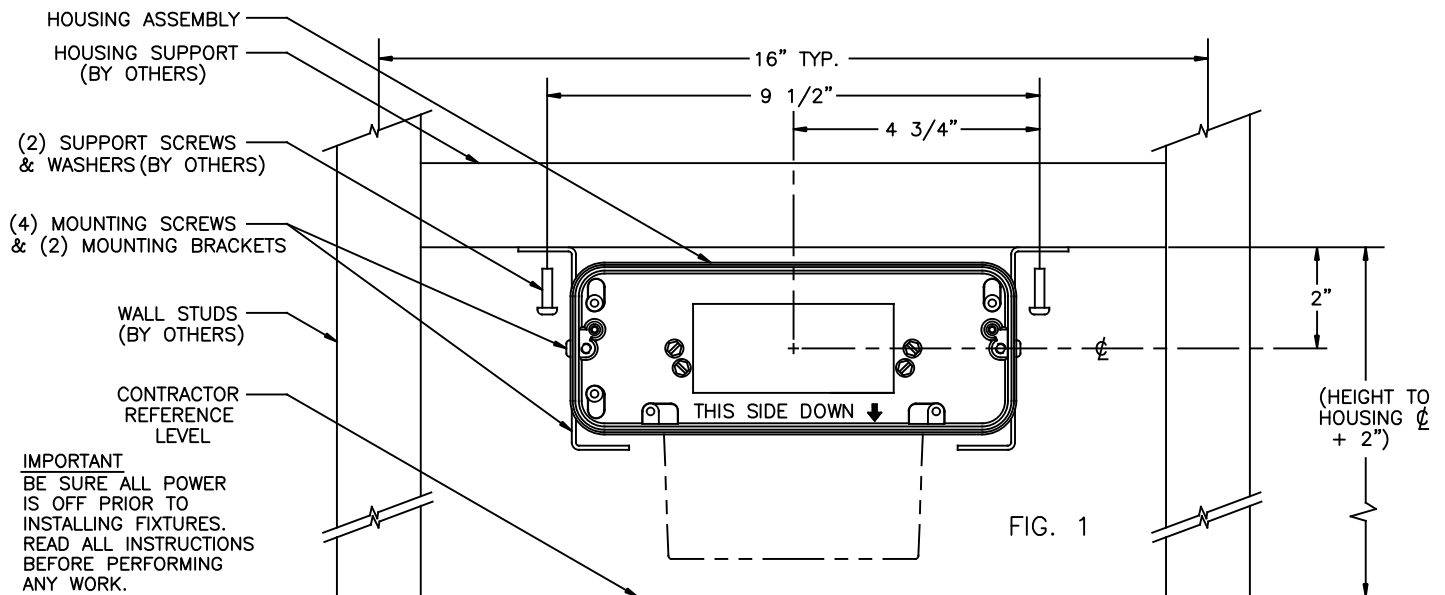


INSTALLATION INSTRUCTIONS

940 LINE-COMPACT FLUORESCENT STUD WALL CONSTRUCTION



HOUSING INSTALLATION

- 1.REMOVE THE HOUSING ASSEMBLY AND MOUNTING KIT FROM CARTON.
- 2.THE J-BOX IS MOUNTED ON THE BACK OF THE HOUSING AT THE FACTORY. THE J-BOX MAY BE REPOSITIONED TO THE BOTTOM OF THE HOUSING AS REQUIRED. THE COVER PLATE MUST BE SECURED OVER THE UNUSED J-BOX ACCESS OPENING.
- 3.ATTACH MOUNTING BRACKETS TO HOUSING AS SHOWN.
- 4.USE DIMENSIONS PROVIDED BY SITE CONTRACTOR AND FIGURES 1 AND 2 TO PRE-LOCATE HOUSING SUPPORT. SCRAP WALL STUD MATERIAL MAY BE USED AS SUPPORT.
- 5.POSITION,LEVEL AND INSTALL SUPPORT AS SHOWN. SUPPORT MUST BE LEVEL SIDE TO SIDE AND FRONT TO BACK.
- 6.INSTALL SUPPORT SCREWS AND WASHERS (BY OTHERS) TO SUPPORT. LOCATE AND SPACE PER FIGURES 1 AND 2 AND SITE CONTRACTOR DIMENSIONS. DO NOT FULLY TIGHTEN.
- 7.HANG HOUSING ASSEMBLY ON SUPPORT SCREWS. POSITION FRONT OF HOUSING FLUSH WITH OUTSIDE SURFACE OF WALL. USE SMALL SCRAP PIECE OF WALL SHEATHING AS A GUIDE.
- 8.TIGHTEN SUPPORT SCREWS.
- 9.SUPPLY POWER TO FIXTURE THROUGH J-BOX 3/4" HUBS. ONLY REMOVE THE HUB PLUGS NECESSARY FOR THE INSTALLATION.

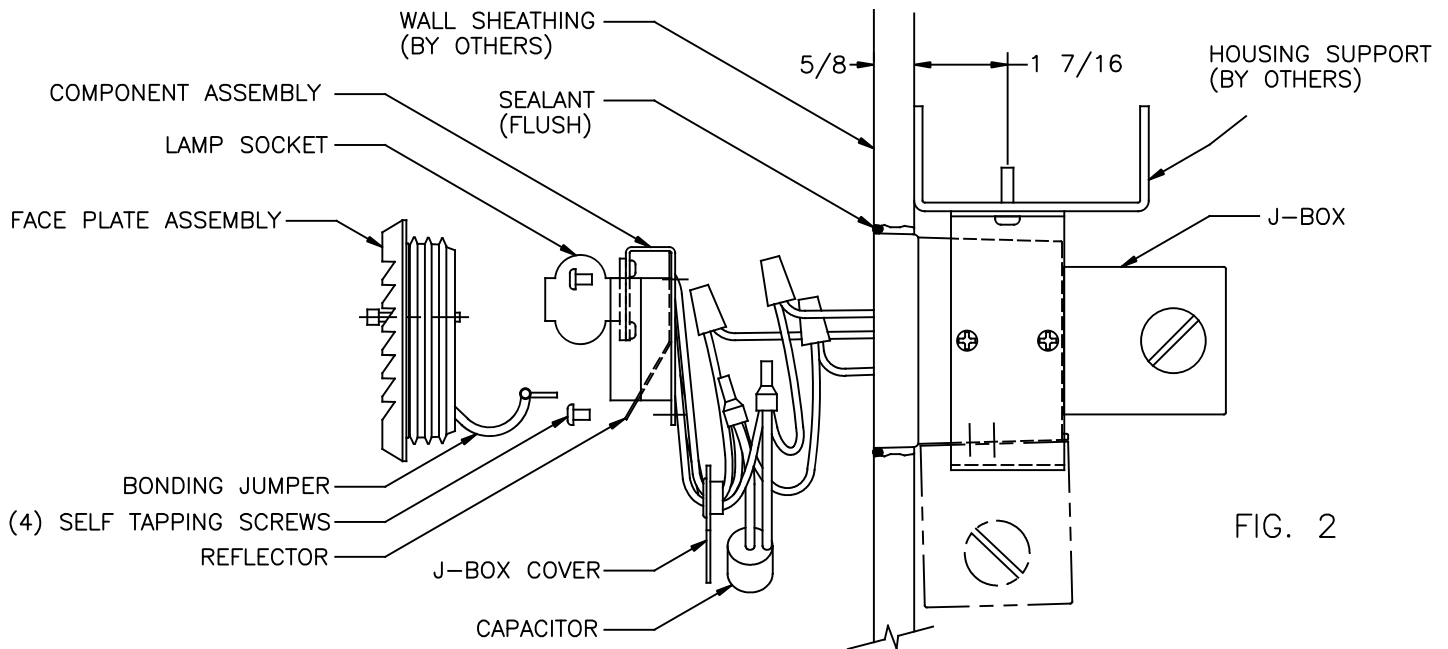
- 10.BRANCH CIRCUIT WIRING TO BE INSTALLED PER NEC OR APPLICABLE LOCAL CODES.
- 11.INSTALL SHEATHING. GAP BETWEEN HOUSING EDGES AND SHEATHING TO BE NO GREATER THAN 1/8".
- 12.SEAL GAP BETWEEN OUTER EDGES OF HOUSING AND SHEATHING WITH SILICONE RTV OR EQUIVALENT.

IMPORTANT

AT ALL TIMES WIRING TO BE DONE PER THE NEC OR APPLICABLE LOCAL CODES.

INSTALLATION INSTRUCTIONS

940 LINE-COMPACT FLUORESCENT STUD WALL CONSTRUCTION



WIRING, BALLAST ASSEMBLY AND FACE PLATE INSTALLATION

1. REMOVE BALLAST ASSEMBLY AND FACE PLATE ASSEMBLY FROM CARTON.
2. LOOSEN THE TWO SCREWS SECURING THE REFLECTOR. REMOVE REFLECTOR.
3. PLACE COMPONENT ASSEMBLY IN HOUSING AND SECURE WITH (4) SELF TAPPING SCREWS.
4. MAKE ELECTRICAL CONNECTIONS. FIXTURE LINE (BLACK) TO SUPPLY LINE. COMMON (WHITE) TO SUPPLY COMMON AND GROUND (GREEN) TO GROUND.
5. CAREFULLY PLACE SPLICES, EXCESS WIRE AND CAPACITOR INTO J-BOX. BACK OUT J-BOX COVER SCREWS AS REQUIRED TO ALLOW THE J-BOX COVER TO SLIDE UNDER THESE SCREWS. TIGHTEN SCREWS. PUSH ANY EXCESS WIRE STILL IN THE HOUSING THROUGH THE J-BOX COVER BUSHING.
6. REPLACE REFLECTOR.
7. INSTALL LAMP (BY OTHERS).
8. CONNECT FACE PLATE BONDING JUMPER TO TAB ON COMPONENT ASSEMBLY.
9. INSTALL FACE PLATE ASSEMBLY BEING CAREFULL NOT TO OVER TIGHTEN THE SCREWS.



©2016 Philips Lighting Holding B.V. All Rights Reserved.
www.philips.com/luminaires

443561001580/A815466

REV. B

Philips Lighting North America
Corporation
200 Franklin Square Drive,
Somerset, NJ 08873, USA

Philips Lighting Canada Ltd.
281 Hillmount Road,
Markham ON, Canada L6C 2S3