

CHLORIDE

by @ignify



Exit/Emergency

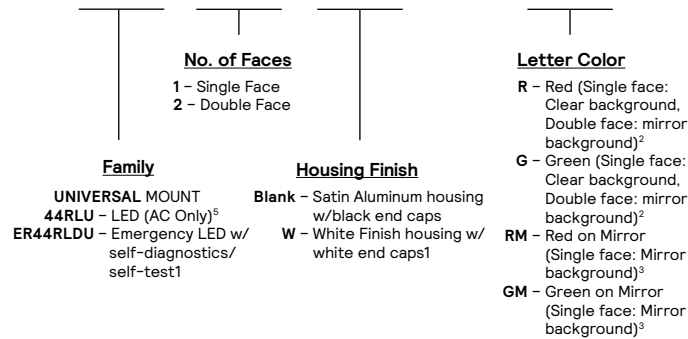
44R series

LED edge-lit exit sign



Project:	
Location:	
Cat.No:	
Type:	
Lamps:	Qty:
Notes:	

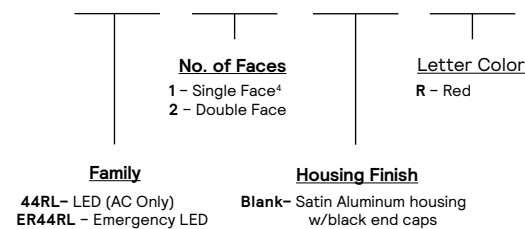
Universal Mount example: ER44RLDU2R



Footnotes

- ¹Available only in the "Universal Mount" signs.
- ²The reverse image of the EXIT letters can be seen on a single face clear panel if viewed from the opposite side. To prevent seeing the reverse image of the EXIT letters, specify RM or GM for single face signs with a mirror background.
- ³Not available on housings with a white finish.
- ⁴Must order the "Universal Mount" version for a surface mount single face exit sign with a mirror background.
- ⁵44RLU models (AC only) with green letters are not available with a white finish housing.

Surface Mount example: 44RL2R



Note:

For (8" Letters) New York City edge-lit exit signs, refer to specification sheet number CN-26200.

codes and standards

- UL Listed to UL 924 Standard
- NFPA 101 (Life Safety Code)
- NFPA 70 (National Electric Code)
- California Energy Commission
- UL listed for damp location

construction

- Surface mount exits are durable extruded aluminum construction with easy to install canopy.
- Universal mount exits have extruded aluminum housing and trim plate.
- Adjustable bar hangers adapt housing for mounting in suspended ceiling.
- Surface mount exits are only available with satin aluminum finish.

- Universal mount exits are available in satin aluminum and white.
- If a surface mount exit with white finish is required, a universal mount exit with white finish must be ordered.
- Exit panel may be rotated 90° to simplify wall, ceiling or sloped ceiling applications, and can be locked into place.
- Single face exits have a clear background and double face exits are provided with a mirror background.
- Signage contains 6" letter height with 3/4" stroke.
- The panel is clear acrylic.
- Chevrons may be applied in the field by simply placing chevron in the cut out area of template already attached to panel.
- Remove template after chevron is attached.

44R LED edge-lit exit sign

installation

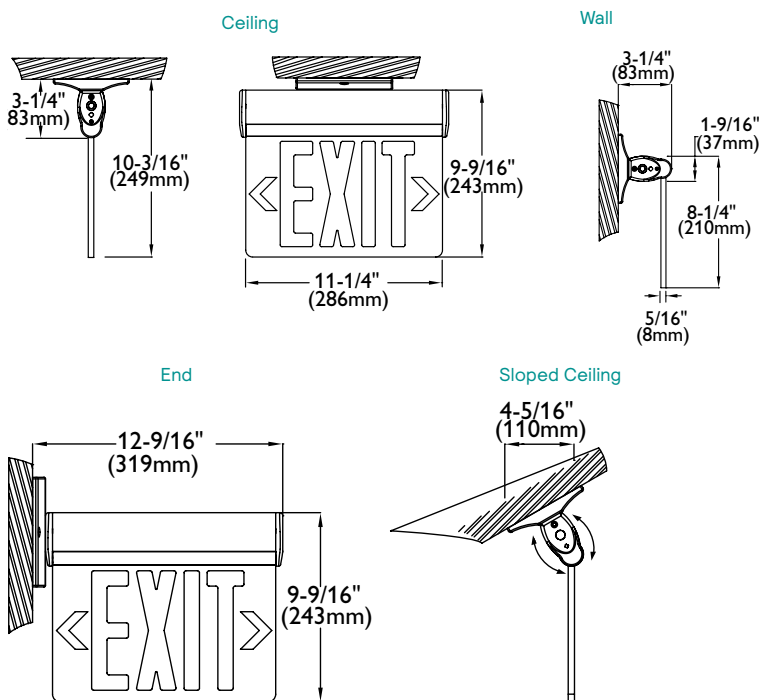
- 44RL and ER44RL are surface mount only exit signs. They can be wall, end or ceiling mounted. 44RLU and ER44RLDU signs are universal mount. They can be recessed mounted (wall or ceiling) or surface mounted (wall, ceiling, or end).

electronics

- Dual voltage 120/277 VAC input with surge protection. Emergency models provide solid-state charging system with low voltage disconnect, AC lockout and brownout features.
- All ER44RLDU exits feature a self-diagnostic/self-test circuitry, which will indicate a warning when any of the key components (battery, lamps, charger board, and transformer) malfunctions and needs replacing.
- The SD/ST circuitry performs an automatic test: 1 minute every month, 30 minutes every 6th month of the year, and a 90 minute test on the 12th month of the year. A manual test can be activated at any time by simply pushing the test button.

dimensions

Surface Mount



battery

- Emergency models utilize a self contained, maintenance free nicad battery that will provide a minimum of 90 minutes of illumination. Operating temperature range of 10°C to 40°C (50°F to 104°F).
- Consumes 3 Watts at 120V.

warranty

- Three full year warranty on electronics and unit.

Recessed Mount

