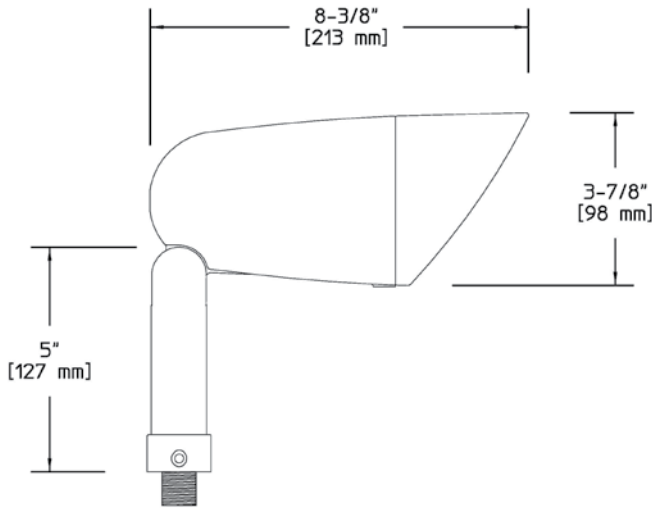


Project: _____
 Location: _____
 Cat.No: _____
 Type: _____
 Lamps: _____ Qty: _____
 Notes: _____



Ordering Guide

Example: BT1 A LED7 NF W S

Product Code	BT1	LED Bullyte
Finish	A H	Black Bronze
Source/Lumens	LED7	7W LED
Optics	NF FL	Narrow Flood Flood
CCT	W	Warm
Shroud	S L	Short Shroud Long Shroud

*1 Fixture will be shipped with lamp. Lamp not sold separately.

Specifications

HOUSING:

Gasketing is silicone. Die-cast aluminum. Fully-adjustable swivel arm with vibration-proof locking teeth. Fully rotatable shroud, gasketed, cast aluminum. Fasteners are 300 series stainless steel.

FINISH:

Thermoset polyester powdercoat is electrostatically applied after a five-stage conversion cleaning process and bonded by heat fusion thermosetting.

OPTICAL ASSEMBLY:

Clear tempered glass lens.

LAMPING:

7W lamp with 25° or 35° beam spread, 25,000 hours life. Color temperature (CCT): Warm White (3,000K nominal). No Mercury. Dimmable. Approximately 460 lumens.

ELECTRICAL ASSEMBLY:

Bi-pin socket type (GU5.3) with 250° C high temperature teflon coated wire leads. Fixture is pre-wired with 18 AWG black, white, and ground wires. Step-down transformer reduces line voltage to 12 volts. Transformer is potted/encapsulated and features thermal overload protection. Can be used with energy-efficient halogen lamp.

WARRANTY:

Five-year limited warranty.

CERTIFICATIONS:

ETL listed to U.S. safety standards for wet locations. cETL listed to Canadian safety standards for wet locations. Manufactured to ISO 9001:2008 Standards.

Max Width:	Max Length:	Max. Weight:
3 7/8" (98mm)	8 3/8" (213mm)	1.58 lb.

