

Project: _____

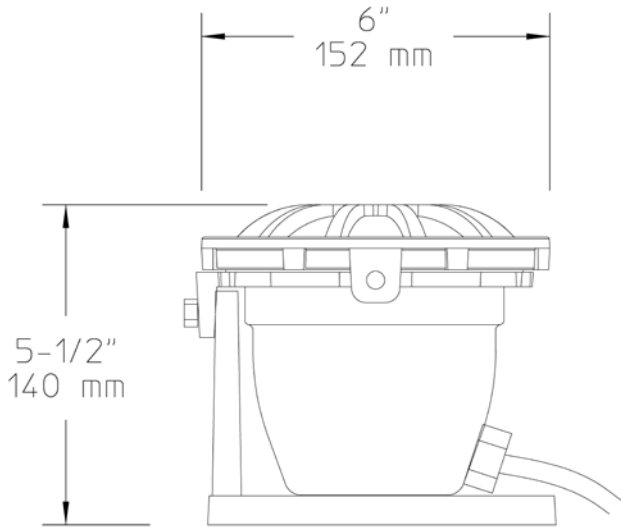
Location: _____

Cat.No: _____

Type: _____

Lamps: _____ Qty: _____

Notes: _____



Ordering Guide

Example: UWL1075 N LED7 NF W

Product Code	UWL1075	LED Cast Bronze Underwater
Finish	N	Natural Brass
Source/Lumens	LED7	7W LED *3
Optics	NF FL	Narrow Flood Flood
CCT	W	Warm

*1 Fixture will be shipped with lamp. Lamp not sold separately.

Specifications

HOUSING:

Fasteners are 300 series stainless steel. Rockguard is marine grade bronze. Spun stainless steel. Integral and furnished as standard on all fixtures. This enables fixture to be used in accordance with NEC Article 680-51 in installations without an external low-water cutoff.

FINISH:

Natural Brass will age over time, can be field painted.

OPTICAL ASSEMBLY:

Clear convex, tempered glass furnished with silicone O-ring for watertight seal.

LAMPING:

7W lamp with 25° or 35° beam spread, 25,000 hours life. Color temperature (CCT): Warm White (3,000K nominal). No Mercury. Dimmable. Approximately 460 lumens.

ELECTRICAL ASSEMBLY:

Bi-pin socket type (GY6.35) with 250° C high temperature teflon coated wire leads. Standard 10 ft. 16-3 AWG, 105° C, STOW water-resistant cord. Fixture is pre-wired and potted to prevent water entry. 12 Volt system requires remote transformer, not included.

MOUNTING:

Marine grade bronze.

WARRANTY:

Five-year limited warranty.

CERTIFICATIONS:

ETL listed to U.S. safety standards for wet locations. cETL listed to Canadian safety standards for wet locations. Manufactured to ISO 9001:2008 Standards.

CORROSIVE CONDITIONS:

Proper pH balance is required when using copper and brass lighting fixtures in corrosive applications. If the water was allowed to remain in acid conditions, with chlorine or bromine present, copper corrosion occurs. Our laboratory testing concludes that chlorine/bromine does work better at a pH below 7.2. However, there are consequences that will result. Corrosion can present a problem below 7.0. As the pH falls below 7.2, chlorine/bromine can become increasingly more aggressive and irritating. Brass and copper fixtures will experience some natural patina. The fixture will turn a darker brown color as the patina process occurs.

UWL1075 Bronze Underwater

LED Underwater

Specifications

Height :

5 1/2" (140mm)

Width:

6" (152mm)

Max. Weight:

4 lbs.

