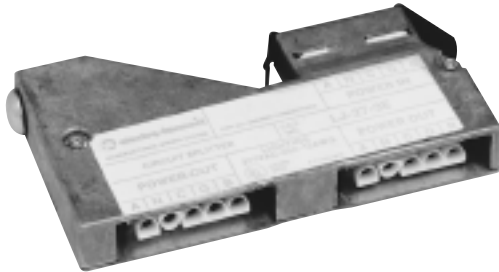


LIGHTING JUNCTION (CIRCUIT SPLITTER)



SAMPLE CATALOG NUMBER: LJ-27-3E



VOLTAGE

- 12** – 120v
- 20** – 208v*
- 24** – 240v*
- 27** – 277v
- 34** – 347v
- 48** – 480v*

*Consult factory for these applications.

APPLICATION _____

- The circuit splitter unit is plugged into a cable, adapter or tap cable to divide the circuit flow into two directions from the unit.

ELECTRICAL _____

- UL/cUL listed.

CONSTRUCTION _____

- Unit is low profile, 5-5/8"x 3-1/8"x 13/16".
- Thru-wired for three circuits.
- Die cast housing with zinc plated steel cover plate.
- Internal wires are #12 AWG THHN stranded copper, 600 volt, plus a bare #12 AWG solid tinned copper ground conductor.

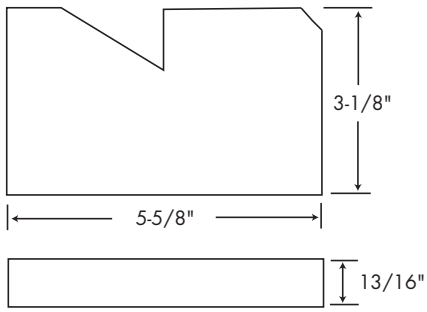
Job Name: _____

Catalog Number: _____

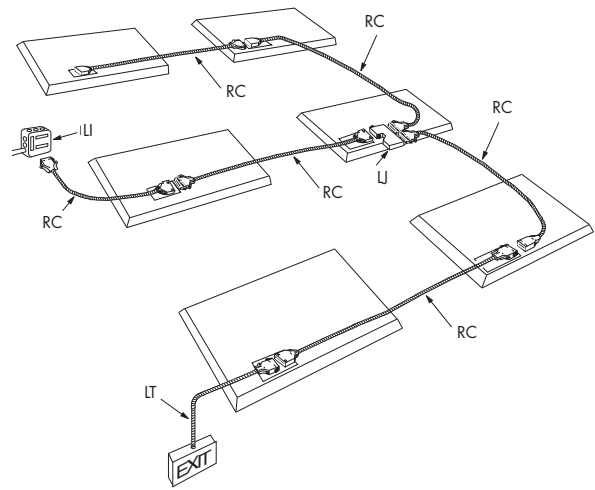
Type: _____

Notes: _____

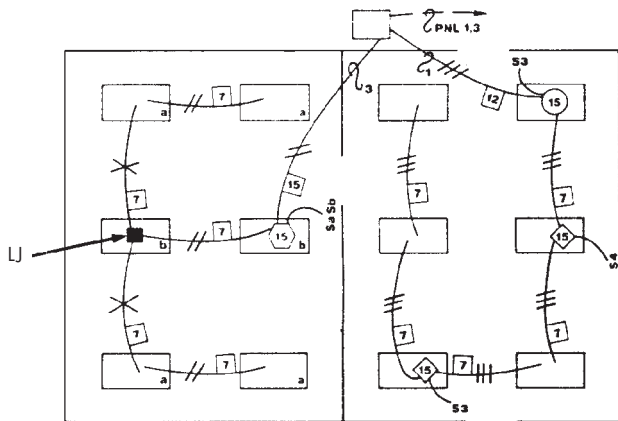
DIMENSIONS



APPLICATION



WIRING



WIRING DIAGRAM

