

TruGroove suspended, surface & wall is driving performance beyond the edge. Innovative optics deliver exceptional uniformity and wide row spacing from a 3" aperture continuous line-of light. An extended family and refined design are perfect for lighting any professional space.

Project: _____
 Location: _____
 Cat.No: _____
 Type: _____
 Line ID: _____ Qty: _____
 Notes: _____

Ordering guide - Standard

example: 2911LBEQN087DEB

Family	Source	CRI/CCT ¹	Lumens ¹	Optics	Run Length	Wiring ²	Voltage ²	Driver ²	Finish	Option	Sensor
2911	L										
2911 TruGroove Surface Direct	L LED	A 80CRI/4000K	D 4000 lm/4ft	LN Flush Silk Lens	02 2ft	7 1cct Dimming	D UNV (120-277V)	E Advance 0-10V (1% Dim)	W Standard White T Titanium Silver B Black C Custom	N No Option	SZ SpaceWise DT Daylight & Occupancy
		B 80CRI/3500K	E 3000 lm/4ft	QN Symmetric MesoOptics Lens	04 4ft	M 1cct Dimming + Aux. Wiring	3 347V	H Lutron EcoSystem LDE1 (1% Dim)			
		C 80CRI/3000K	G 2200 lm/4ft	WN Asymmetric MesoOptics Lens	06 6ft	N 1cct Dimming + Battery Pack (8ft only)	D UNV (120-277V)	S Advance Sensor Ready (5% Dim)			
		S 90CRI/3500K	K 1500 lm/4ft		08 8ft	xx Total Run Length in 2ft increments					

1. Nominal values within a range. Consult photometry data for CRI, color temp, lumens & distribution of chosen configuration.
 2. Not all wiring types are available with all configurations. Consult Ledalite for a complete list of available options.

Standalone controls

SpaceWise DT

- Suspended version available with SpaceWise DT Daylight & Occupancy sensing with advanced grouping & dwell time.
- Dimming with compatible Zigbee wireless wall switches.

www.usa.lighting.philips.com/systems/lighting-systems/spacewise

See p. 2 for Connected & IoT product offerings.

TruGroove linear surface

Ordering guide - Connected systems

example: 2911LBGQN087DSWNIP

Family	Source	CRI/CCT ¹	Lumens ¹	Optics	Run Length	Wiring ²	Voltage	Driver	Finish	Options	System/Controls ^{2,3}
2911	L										
2911 TruGroove Surface Direct	L LED	A 80CRI/4000K	E 3000 lm/4ft	QN Symmetric MesoOptics Lens	04 4ft	7 1cct Dimming N 1cct Dimming + Battery Pack (8ft only)	D UNV (120-277V)	S Advance Sensor Ready (5% Dim)	W Standard White	N No Option	IP Interact Pro
		B 80CRI/3500K C 80CRI/3000K	G 2200 lm/4ft K 1500 lm/4ft		06 6ft 08 8ft xx Total Run Length in 2ft increments		3 347V L Low Voltage (48-54V DC)		P PoE Lighting Controller		

Note: Options with the same color coding must be paired together.

1. Nominal values within a range. Consult photometry data for CRI, color temp, lumens & distribution of chosen configuration.
2. Not all wiring types or sensors are available with all configurations. Consult Ledalite for a complete list of available options.
3. Sensors only available in white, sensors can be combined with any luminaire finish.

Connected systems

Interact Pro

- A wireless IoT connected lighting solution for small and medium-sized businesses.
- Commissioning via Android or iOS mobile device and Interact Pro app.
- Compatible Zigbee Green Power wall dimmer and wireless Occupancy or Daylight & Occupancy sensors available.
- Open APIs for light control and data exchange.

www.interact-lighting.com/pro

Interact Office Wired (PoE), Tunable White

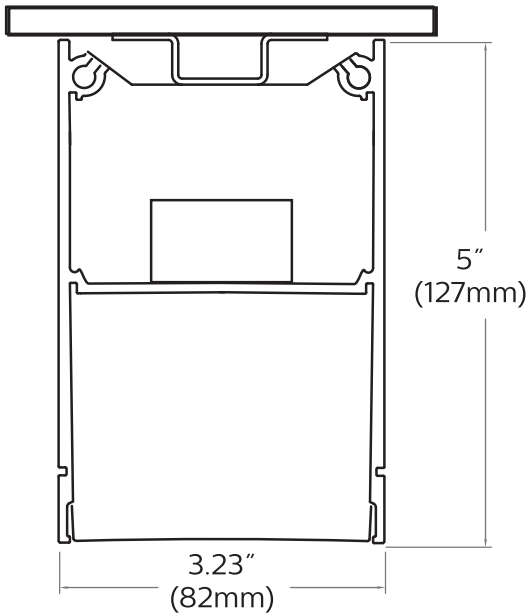
- PoE based IoT connected lighting solution for large enterprises that span across multiple floors, buildings and require multiple gateways.
- Use Interact Office software and insights to increase building efficiency, achieve building wide integration and optimize space through occupancy analytics.
- Human centric lighting through tunable white technology - Dynamic behaviors via scheduled lighting recipes mimicking daylight patterns or supporting biorhythms.
- Supports advanced IoT Apps on Personal Control, Space Management, wayfinding, room/desk reservation and offers open APIs for light control and data exchange.

www.interact-lighting.com/office or www.usa.lighting.philips.com/systems/system-areas/offices

Note: Signify Interact Office Luminaires are not sold individually and are only compatible with Signify's Interact Office control system & software. The system requires a compatible back-end IT infrastructure for normal operations, please consult your Signify representative for additional information.

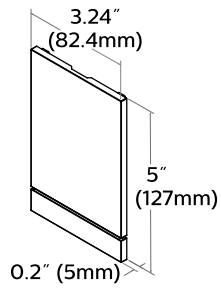
TruGroove linear surface

Cross Section View – Direct Distribution (2911)



Cross Section View – Endcaps

Direct / Indirect Endcap

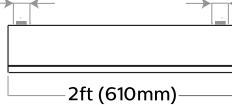


Module Details & Dimensions

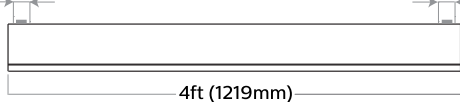
Side View

Surface Mount Without Endcaps (variable mounts)

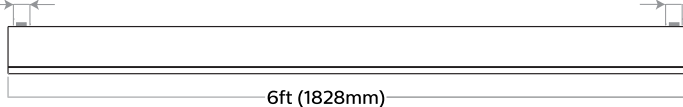
0.6-1.7" (15-44mm) 0.6-1.7" (15-44mm)



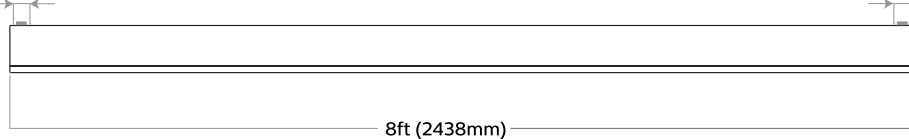
0.6-1.7" (15-44mm) 0.6-1.7" (15-44mm)



0.6-1.7" (15-44mm) 0.6-1.7" (15-44mm)



0.6-1.7" (15-44mm) 0.6-1.7" (15-44mm)



TruGroove linear surface

Specifications

Optical System

White light emitted from a linear array of downward-facing LEDs is laterally redirected using either a biconvex lens or optical microstructures embedded in a layer of MesoOptics DX film. An extruded acrylic lens and MesoOptics film assembly then generates an optimal batwing distribution and a uniform continuum of light. The available Flush Silk Lens optics is a value-oriented option that provides a lambertian distribution while maintaining a uniform continuum of light.

Endcaps

Diecast flat aluminum endcaps with integral groove to match housing.

Finish

High quality powder coated, available in matte white, black or titanium silver. Other custom colors available on request. White sensors only.

Housing

Precision aluminum extrusion, post painted.

Weight

Maximum: Suspended & Surface 3.9lb/ft, Wall 4.1lb/ft & 2'x2' Corner unit 21lb.

Electrical

Factory pre-wired to section ends with quick-wire connectors.

Standard Drivers

Advance Xitanium 0-10V, 1% dimming.

Advance Xitanium SR, 5% dimming.

Lutron EcoSystem LDE1 with Soft-on, Fade-to-Black, 1% dimming.

PoE Lighting Controller (for PoE tunable white).

Class 2 rated output. Consult Ledalite for other available drivers.

Standard Battery Packs

Bodine Battery Pack, 90 min, 10W, Class 2 rated output. Lumen output = 10W x luminaire efficacy x 1.1. Typical output 1100lm.

PoE Battery Pack, 90 min, 6W, Class2 rated output. Lumen output = 6W x luminaire efficacy. Typical output 600lm.

Lumen Maintenance

At an ambient temperature of 25°C, the LED lumen maintenance expectation according to IES TM-21-11 is:
L80 (12k) 60,000 hrs (Reported methodology)
L80 (6k) 110,000 hrs (Projected methodology).

Source Color

LEDs rated for color rendering of:
CRI >80 & R9 >0
CRI >90 & R9>50

Fixture to fixture color accuracy within:

2 SDCM for Static White luminaires
3 SDCM for Tunable White luminaires

Mounting

Fixture is mounted flush to surface using hidden brackets that attach to existing structure, variable between 0.6"-1.7" from end or joint.

Joints

Self-aligning joining system with hands-free pre-joining wire access.

Approvals

Certified to UL, CSA and IES standards. Certain symmetric versions are DesignLights Consortium® qualified. Please see the DLC QPL list for exact catalog numbers www.designlights.org/QPL

QuickShip

Available for most non-connected configurations upon request. Limit 500 linear ft. per order. For more information visit: www.signify.com/en-us/brands/ledalite/quickship

Warranty

Five-year indoor professional luminaire limited warranty including LED boards and driver. www.signify.com/warranties

Environment

Rated for dry or damp locations in operating ambient temperatures 0-40°C (32-104°F). Certain luminaire components may be adversely affected by contaminants. Damage caused by sulfur, chlorine, petroleum based solutions or other contaminants in the area of operation are not covered under warranty. Not suitable for natatorium environments.

TruGroove linear surface

Photometrics

Direct Distribution (2911)

(Click "PDF" or "IES" text to download)

Optics	Lumen Package	Nominal CRI & CCT	Flux (lm)	Watts (W)	Efficacy (LPW)	CRI	R9	Distribution	RP-1 VDT	DLC*	PDF File	IES File
Symmetric MesoOptics Lens - QN	4000 lm/4ft	80CRI, 4000K	4071	39	104	81	6	0% Up / 100% Down	N/A	N/A	PDF	IES
		80CRI, 3500K	3963	39	102	82	12	0% Up / 100% Down	N/A	N/A	PDF	IES
		80CRI, 3000K	3898	39	100	83	10	0% Up / 100% Down	N/A	N/A	PDF	IES
		90CRI, 3500K	3911	47	84	94	71	0% Up / 100% Down	N/A	N/A	PDF	IES
	3000 lm/4ft	80CRI, 4000K	3099	28	110	81	6	0% Up / 100% Down	N/A	Standard	PDF	IES
		80CRI, 3500K	3032	28	107	82	12	0% Up / 100% Down	N/A	Standard	PDF	IES
		80CRI, 3000K	2954	28	104	83	10	0% Up / 100% Down	N/A	Standard	PDF	IES
		90CRI, 3500K	2967	33	89	94	71	0% Up / 100% Down	N/A	N/A	PDF	IES
Spacing Criteria: 1.16/1.57	2200 lm/4ft	80CRI, 4000K	2180	19	112	81	6	0% Up / 100% Down	Normal spaces	Standard	PDF	IES
		80CRI, 3500K	2122	19	109	82	12	0% Up / 100% Down	Normal spaces	Standard	PDF	IES
		80CRI, 3000K	2087	19	108	83	10	0% Up / 100% Down	Normal spaces	Standard	PDF	IES
		90CRI, 3500K	2177	24	92	94	71	0% Up / 100% Down	Normal spaces	N/A	PDF	IES
	1500 lm/4ft	80CRI, 4000K	1528	14	109	81	6	0% Up / 100% Down	Normal spaces	Standard	PDF	IES
		80CRI, 3500K	1488	14	106	82	12	0% Up / 100% Down	Critical spaces	Standard	PDF	IES
		80CRI, 3000K	1446	14	103	83	10	0% Up / 100% Down	Critical spaces	Standard	PDF	IES
		90CRI, 3500K	1478	16	92	94	71	0% Up / 100% Down	Critical spaces	N/A	PDF	IES

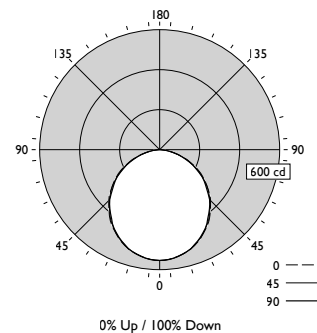
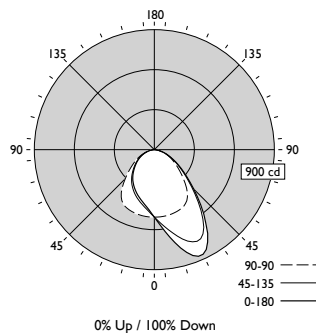
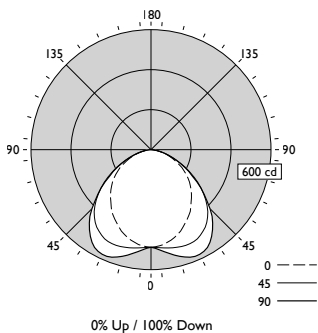
Optics	Lumen Package	Nominal CRI & CCT	Flux (lm)	Watts (W)	Efficacy (LPW)	CRI	R9	Distribution	RP-1 VDT	DLC*	PDF File	IES File
Flush Silk Lens - LN	4000 lm/4ft	80CRI, 4000K	4200	39	108	81	6	0% Up / 100% Down	N/A	N/A	PDF	IES
		80CRI, 3500K	4088	39	105	82	12	0% Up / 100% Down	N/A	N/A	PDF	IES
		80CRI, 3000K	4021	39	103	83	10	0% Up / 100% Down	N/A	N/A	PDF	IES
		90CRI, 3500K	4035	47	87	94	71	0% Up / 100% Down	N/A	N/A	PDF	IES
	3000 lm/4ft	80CRI, 4000K	3214	28	114	81	6	0% Up / 100% Down	N/A	Standard	PDF	IES
		80CRI, 3500K	3129	28	111	82	12	0% Up / 100% Down	N/A	Standard	PDF	IES
		80CRI, 3000K	3077	28	109	83	10	0% Up / 100% Down	N/A	Standard	PDF	IES
		90CRI, 3500K	3061	33	92	94	71	0% Up / 100% Down	N/A	N/A	PDF	IES
Spacing Criteria: 1.24/1.22	2200 lm/4ft	80CRI, 4000K	2249	19	116	81	6	0% Up / 100% Down	Normal spaces	Standard	PDF	IES
		80CRI, 3500K	2189	19	113	82	12	0% Up / 100% Down	Normal spaces	Standard	PDF	IES
		80CRI, 3000K	2153	19	111	83	10	0% Up / 100% Down	Normal spaces	Standard	PDF	IES
		90CRI, 3500K	2246	24	94	94	71	0% Up / 100% Down	Normal spaces	N/A	PDF	IES
	1500 lm/4ft	80CRI, 4000K	1577	14	113	81	6	0% Up / 100% Down	Critical spaces	Standard	PDF	IES
		80CRI, 3500K	1535	14	110	82	12	0% Up / 100% Down	Critical spaces	Standard	PDF	IES
		80CRI, 3000K	1510	14	108	83	10	0% Up / 100% Down	Critical spaces	Standard	PDF	IES
		90CRI, 3500K	1525	16	95	94	71	0% Up / 100% Down	Critical spaces	N/A	PDF	IES

Optics	Lumen Package	Nominal CRI & CCT	Flux (lm)	Watts (W)	Efficacy (LPW)	CRI	R9	Distribution	RP-1 VDT	DLC*	PDF File	IES File
Asymmetric MesoOptics Lens - WN	4000 lm/4ft	80CRI, 4000K	3713	39	95	81	6	0% Up / 100% Down	N/A	N/A	PDF	IES
		80CRI, 3500K	3614	39	93	82	12	0% Up / 100% Down	N/A	N/A	PDF	IES
		80CRI, 3000K	3555	39	91	83	10	0% Up / 100% Down	N/A	N/A	PDF	IES
		90CRI, 3500K	3567	47	77	94	71	0% Up / 100% Down	N/A	N/A	PDF	IES
	3000 lm/4ft	80CRI, 4000K	2827	28	100	81	6	0% Up / 100% Down	Normal spaces	N/A	PDF	IES
		80CRI, 3500K	2766	28	98	82	12	0% Up / 100% Down	Normal spaces	N/A	PDF	IES
		80CRI, 3000K	2694	28	95	83	10	0% Up / 100% Down	Normal spaces	N/A	PDF	IES
		90CRI, 3500K	2706	33	81	94	71	0% Up / 100% Down	Normal spaces	N/A	PDF	IES
Spacing Criteria: 1.66/1.34	2200 lm/4ft	80CRI, 4000K	1988	19	103	81	6	0% Up / 100% Down	Normal spaces	N/A	PDF	IES
		80CRI, 3500K	1935	19	100	82	12	0% Up / 100% Down	Normal spaces	N/A	PDF	IES
		80CRI, 3000K	1904	19	98	83	10	0% Up / 100% Down	Normal spaces	N/A	PDF	IES
		90CRI, 3500K	1986	24	83	94	71	0% Up / 100% Down	Normal spaces	N/A	PDF	IES
	1500 lm/4ft	80CRI, 4000K	1394	14	100	81	6	0% Up / 100% Down	Critical spaces	N/A	PDF	IES
		80CRI, 3500K	1357	14	97	82	12	0% Up / 100% Down	Critical spaces	N/A	PDF	IES
		80CRI, 3000K	1319	14	94	83	10	0% Up / 100% Down	Critical spaces	N/A	PDF	IES
		90CRI, 3500K	1348	16	84	94	71	0% Up / 100% Down	Critical spaces	N/A	PDF	IES

Symmetric MesoOptics Lens - QN

Asymmetric MesoOptics Lens - WN

Flush Silk Lens - LN



Candela shown is for 1500 lm/4ft, 3500K, 80 CRI configuration.

*DLC is only available with Advance 0-10V (1% dim) drivers. Battery Packs and 2ft modules are also not available on DLC.

TruGroove linear surface w/tunable white

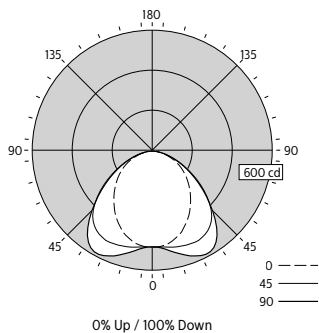
Photometrics

Direct Distribution (2911)

(Click "PDF" or "IES" text to download)

Optics	Lumen Package	Nominal CRI & CCT	Flux (lm)	Watts (W)	Efficacy (LPW)	CRI	R9	Distribution	RP-1 VDT	PDF File	IES File
Symmetric MesoOptics Lens - QN	3000 lm/4ft	80CRI, 2700K	3191	32.4	98.5	82	8	0% Up / 100% Down	N/A	PDF	IES
		80CRI, 3000K	3192	31.9	100.1	84	14	0% Up / 100% Down	N/A		
		80CRI, 3500K	3193	31.1	102.6	86	23	0% Up / 100% Down	N/A		
		80CRI, 4000K	3194	30.5	104.8	87	28	0% Up / 100% Down	N/A		
		80CRI, 5000K	3195	29.6	108.1	87	26	0% Up / 100% Down	N/A		
	80CRI, 6500K	3197	28.4	112.6	84	13	0% Up / 100% Down	N/A			
	2200 lm/4ft	80CRI, 2700K	2304	22.7	101.5	83	9	0% Up / 100% Down	Normal spaces	PDF	IES
		80CRI, 3000K	2304	22.4	102.7	84	16	0% Up / 100% Down	Normal spaces		
		80CRI, 3500K	2304	22.1	104.5	86	24	0% Up / 100% Down	Normal spaces		
		80CRI, 4000K	2304	21.7	106.0	87	28	0% Up / 100% Down	Normal spaces		
80CRI, 5000K		2303	21.3	108.3	87	27	0% Up / 100% Down	Normal spaces			
1500 lm/4ft	80CRI, 6500K	2303	20.7	111.4	84	12	0% Up / 100% Down	Normal spaces	PDF	IES	
	80CRI, 2700K	1522	14.5	104.9	83	10	0% Up / 100% Down	Normal spaces			
	80CRI, 3000K	1522	14.4	105.7	85	17	0% Up / 100% Down	Normal spaces			
	80CRI, 3500K	1521	14.2	106.8	87	25	0% Up / 100% Down	Normal spaces			
	80CRI, 4000K	1521	14.1	107.8	87	29	0% Up / 100% Down	Normal spaces			
Spacing Criteria: 1.15/1.63	80CRI, 5000K	1520	13.9	109.3	87	28	0% Up / 100% Down	Normal spaces	PDF	IES	
	80CRI, 6500K	1519	13.7	111.3	84	11	0% Up / 100% Down	Normal spaces			

Symmetric MesoOptics Lens - QN



Candela shown is for 1500 lm/4ft, 3500K, 80 CRI configuration.

*DLC is only available with Advance 0-10V (1% dim) drivers. Battery Packs are also not available on DLC.

The information presented in this document is not intended as any commercial offer and does not form part of any quotation or contract.



© 2019 Signify Holding. All rights reserved. This document contains information relating to the product portfolio of Signify which information may be subject to change. No representation or warranty as to the accuracy or completeness of the information included herein is given and any liability for any action in reliance thereon is disclaimed. All trademarks are owned by Signify Holding or their respective owners.

Signify North America Corporation
200 Franklin Square Drive,
Somerset, NJ 08873
Telephone 855-486-2216

Signify Canada Ltd.
281 Hillmount Road,
Markham, ON, Canada L6C 2S3
Telephone 800-668-9008