

Stonco

by  Signify



Wall Mount

LytePro LED

Small wall sconce LPW7



| | |
|-----------|------|
| Project: | |
| Location: | |
| Cat.No: | |
| Type: | |
| Lamps: | Qty: |
| Notes: | |

Stonco LytePro LED small wall sconce LPW7 features outstanding value in a compact, architectural design. This wall sconce offers chip-on-board (COB) LED technology for outstanding energy savings with good photometric performance. LPW7 is ideal for entryways, corridors, facade and other wall/ surface lighting applications.

Stocked luminaires – Ordering guide¹

| Catalog Number | Description | Master Pack, Qty | UPC Code |
|----------------|--|------------------|--------------|
| LPW7-8BZ | LPW7, 14W COB LED, 350mA, 4000K, 120-277V, Bronze textured paint | 6 | 786034960441 |
| LPW7-8DGY | LPW7, 14W COB LED, 350mA, 4000K, 120-277V, Dark gray textured paint | 6 | 786034960458 |
| LPW7-1BZPCB | LPW7, 14W COB LED, 350mA, 4000K, 120V, Bronze textured paint, w/button photocell | 6 | 786034960472 |

Stocked accessories - Ordering guide (Must be ordered separately)

| Catalog Number | Description | Master Pack, Qty | UPC Code |
|----------------|--|------------------|--------------|
| LPWCVRPLT-BZ | LPW Universal wall cover mounting plate, Bronze textured paint | (none) | 786034960618 |

Description of catalog codes

| Family | Drive current | Voltage | Finish | Options |
|--|--|--------------------------|--|---------------------------|
| LPW7 = LytePro 7 LED Small Wall Sconce | (Blank - standard 350mA drive current) | 8 = 120-277V 1 = 120V | BZ = Bronze textured paint DGY = Dark gray textured paint | PCB = Button photocontrol |

1. Color availability and options vary by model; consult stock luminaires ordering guide above.



LPW7 LytePro LED small wall sconce

Features

- LPW7 wall sconce delivers 1,154 lumens at 14W, with an efficacy of 82 lumens per watt.
- 14W LED may effectively replace 60–200W incandescent, 26–42W compact fluorescent and 35–39W HID luminaires.²
- 4000K neutral white at 70 CRI (minimum) is standard.
- Offers two in-stock colors on standard units.*
- 5-year limited warranty; see philips.com/warranties for specific details.

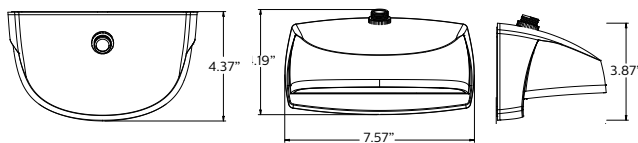
Performance/Specifications

| | |
|-------------------------|---------------|
| Distribution | Type 2 |
| Initial Lumens (4000K)* | 1,154 |
| Average Wattage* | 14 |
| Lumens/Watt | 82 |
| BUG Rating* | B1/U0/G1 |
| Luminaire Weight | ~4lbs (1.8Kg) |

Ratings/Approbations/Certifications

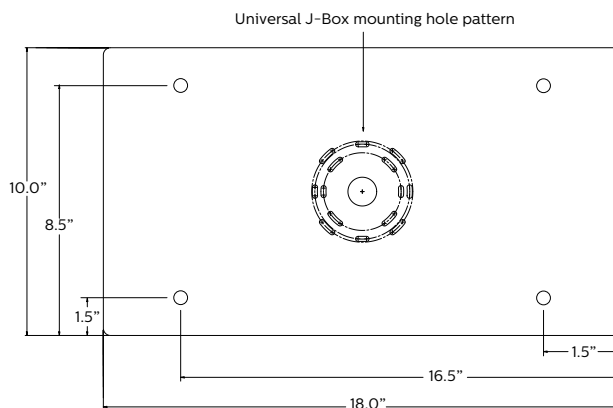
| | |
|---------------------------|------------------------------------|
| Ingress Protection | IP65 Optical |
| cETLus | Certified for use in wet locations |
| Rated Ambient Temperature | -30°C (-22°F) to 40°C (104°F) |

Fixture Dimensions³



Accessory Dimensions (ordered separately)

LPWCVRPLT-BZ LPW Universal wall cover mounting plate, 0.08" aluminum, bronze textured paint (used to cover larger pre-existing opening or surfaces, field installed). Offers same J-Box pattern as luminaire or may lagged to wall using (4) knockouts.

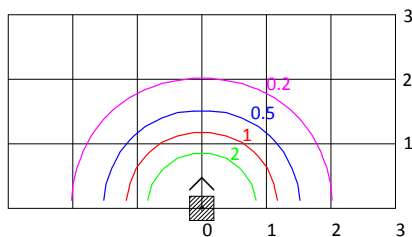


2. Comparable equivalency to HID and other lamp sources depends on multiple criteria including mounting height, fixture spacing, efficiency, performance and classification of the luminaire being replaced and application lighting criteria required for the given project.
3. PCB shown for placement only, available on specific models only (see ordering guide).

Distribution Pattern

| LPW7 - 8' MOUNTING HEIGHT | | | |
|---------------------------|------|-----|------|
| MOUNTING HEIGHT | 6' | 8' | 10' |
| MULTIPLIER | 1.78 | 1.0 | 0.64 |

- 4. Isolines shown at 2.0, 1.0, 0.5, & 0.2 FC.
- 5. Choose mounting height. Use MULTIPLIER (X) EXISTING FC VALUE = NEW FC VALUE.
- 6. FC values are based on initial lumen output.
- 7. Gridline spacing is in units of chosen mounting height.



LPW7 LytePro LED small wall sconce

General Description

The Stonco LytePro LED Small Wall Sconce LPW7 combines excellent performance, design and value to meet the needs of the energy and budget conscious. The LPW7 is available for use in downward facing, surface wall mount applications, over recessed j-boxes or where power can be directly fed through back surface, whereby connections splices can be made inside the luminaire housing. Three SKU's are available as in-stock configurations (2-day quick ship). Two standard finishes. 120V button photocell is available in bronze only.

Housing

Die-cast housing houses both the LED and driver assemblies. Design incorporates an integrated heat sink to maximize thermal performance and reliability. Backplate is corrosion free, composite polycarbonate, with built-in level bubble, offers integral interlocking hook and mount design for easy installation.

Mounting

Easy interlocking hook and mount housing/backplate design for easy installation. Mounts over 3.5", 4" octagonal j-boxes and single gang switch boxes (mounted horizontally) or can be directly lagged to surface. Ensure proper steps for gasket/sealing luminaire to surface.

IP Rating

Optical compartment is IP65 rated.

LED Board and Array

Provides up to 82 lm/W at the system level. Standard color temp is 4000K +/- 250K, minimum 70 CRI.

Electrical

Driver efficiency (>90% standard). 120-277V. Temp range: -30°C (-22°F) to 40°C (104°F). Open/short circuit protection. RoHS compliant.

Listings

Product is cETLus listed suitable for Wet Locations. Suitable for use in ambients from -30°C to 40°C (-22°F to 104°F).

Finish

Each luminaire receives a fade and abrasion resistant, electrostatically applied, thermally cured, triglycidal isocyanurate (TGIC) textured polyester powdercoat finish. Two standard colors are available: Dark Grey, and Bronze. Specific options are only available in bronze.

Warranty

LPW7 luminaires, the LED arrays, and the drivers are all covered by a 5-year limited warranty. See philips.com/warranties for details.

LED Performance:

PREDICTED LUMEN DEPRECIATION DATA^{4,6}

| Ambient Temp. °C | Calculated L70 hrs ⁵ | Reported L70 Per TM-21 ^{5,6} | Calculated Lumen Maint. % @60,000 hrs |
|------------------|---------------------------------|---------------------------------------|--|
| up to 40°C | >200,000 hrs | >36,000 hrs | 97% |

4. Calculated performance derived from LED manufacturer's data and engineering design estimates, based on IESNA LM-80 methodology. Actual experience may vary due to field application conditions.

5. L70 is the predicted time when LED performance depreciates to 70% of initial lumen output.

6. Reported per IESNA TM21-11. Published L70 hours limited to 6 times actual LED test hours.

