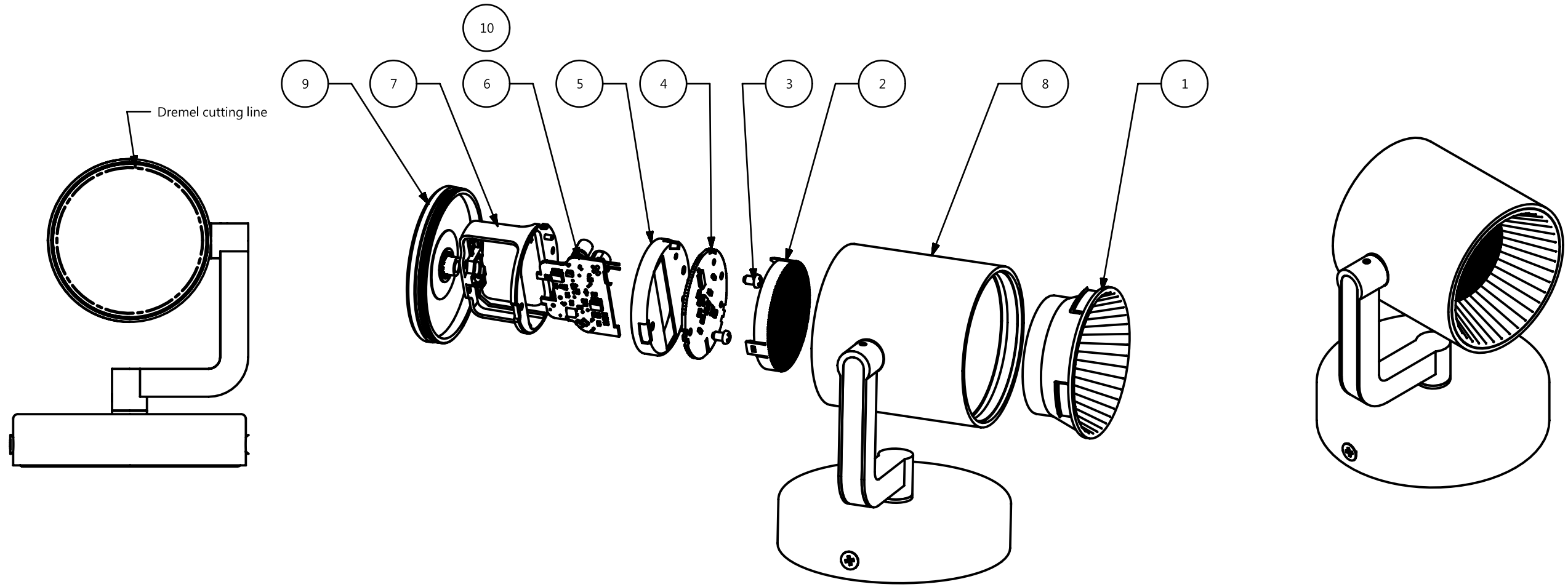


PHILIPS



#	COMPONENT	QTY
1	REFLECTOR	1
2	LENS	1
3	SCREW	2
4	LIGHT SOURCE	1
5	HEAT SINK	1
6	CONTROL GEAR - PSU	1
7	BRACKET	1
8	TUBE	1
9	END CAP	1
10	WIRE	2

SKU	Color	Country
915005697601	BLACK	
915005697701	WHITE	
915005697801	BLACK	
915005697901	WHITE	
915005698001	BLACK	
915005698101	WHITE	
915005698201	BLACK	
915005698301	WHITE	

Warnings

Always make sure the luminaire is detached from the mains socket
 Always make sure the DC cable is detached from the power supply
 Staring at the operating light source may cause eye injury

#	Disassemble/dismantle steps	Tools needed
a	REMOVE END CAP (9) WITH REST OF COMPONENTS CUTTING IT OFF FROM TUBE (8) WITH DREMEL TOOL ACCORDING CUTTING LINE	DREMEL
b	CUT OFF WIRES (10) FROM CONTROL GEAR - PSU (6)	CUTTING PLIERS
c	REMOVE LENS (2) GENTLY LEVERING IT - PUSH FLAT SCREWDRIVER BETWEEN IT AND LIGHT SOURCE (4)	FLATHEAD SCREWDRIVER
d	REMOVE LIGHT SOURCE (4) BY UNSCREWING THE SCREWS (3) AND PULLING IT FROM CONTROL GEAR - PSU (6)	CROSSHEAD SCREWDRIVER PH
e	REMOVE HEAT SINK (5)	
f	UNSCREW BRACKET (7) TOGETHER WITH CONTROL GEAR -PSU (6)	
g	REMOVE CONTROL GEAR - PSU (6) FROM BRACKET (7)	

STATUS	DESCRIPTION BYRL	DESIGN ID	01	2021-08-03
NAME	Obszarski, Tomasz	LOCAL PART ID	SH. 1	SH.
CHECKED	DATE 2021-08-03			A3-L
CONFIDENTIAL, PROPERTY OF: © 2021 Signify Holding				

signify