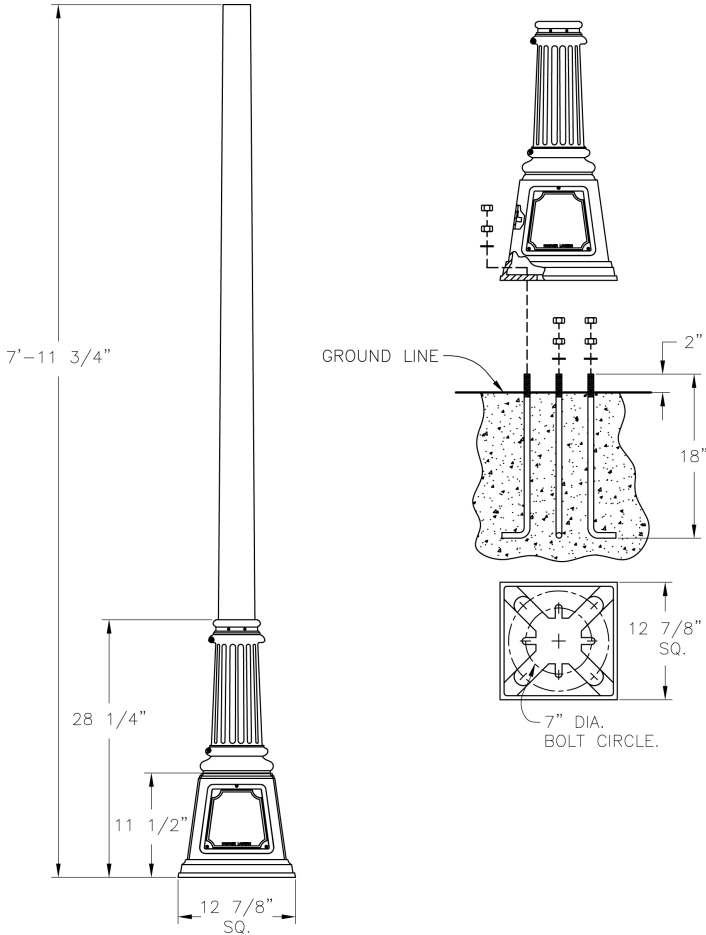


# Anchor Base Post (327-) Specification Sheet

|               |              |            |
|---------------|--------------|------------|
| Project Name: | Location:    | MFG: Hadco |
| Fixture Type: | Catalog No.: | Qty:       |



## Ordering Guide

Example: 327- 8 ABS B B D

|                                   |  |   |
|-----------------------------------|--|---|
| <b>Product Code</b>               | 327-   | Anchor Base Post  |
| <b>Height(s)</b>                  | 8<br>10<br>12  | (8 ft.)<br>(10 ft.)<br>(12 ft.)   |
| <b>Finish</b>                     | ABS<br>ACP<br>ARD<br>ASI<br>BLK<br>BRN<br>BRZ<br>FGN<br>GRA<br>IRN<br>RBZ<br>SRT<br>VBZ<br>VCP<br>VGN<br>VTC<br>WBZ<br>WHT | Antique Brass<br>Antique Copper<br>Antique Red<br>Antique Silver<br>Black<br>Brown<br>Bronze<br>Forest Green<br>Granite<br>Ironstone<br>Rustic Bronze<br>Shadow Rust<br>Verde Bronze<br>Verde Copper<br>Verde<br>Vintage Copper<br>Weathered<br>Bronze<br>White |
| <b>Photoeye (Optional)</b>        | B<br>C   | 120V<br>208V - 277V   |
| <b>Outlet Location (Optional)</b> | B<br>T   | 4" from Top of Base<br>12" from Top of Pole   |
| <b>Outlet Options (Optional)</b>  | D<br>G   | Standard Duplex<br>GFI Duplex   |

## Specifications

### OUTLET:

GFI Duplex Outlet has dual-function indicator light, universal metal weatherproof cover. Weatherproof while in use. Heavy-duty all-metal construction. Lockable security cover. Meets NEC 406.9 (B). Weather resistant. Standard Duplex Outlet has universal metal weatherproof cover. Weatherproof while in use. Heavy-duty all-metal construction. Lockable security cover. Meets NEC 406.9 (B). Weather resistant.

### CONSTRUCTION:

Cast aluminum square anchor base. Cast aluminum removable access door. Tapered post welded to base. Two piece cast aluminum wrap-around base included.

### FINISH:

Resilient TGIC thermoset polyester powdercoat paint is electrostatically applied to every fixture. Specially formulated for Hadco Outdoor Lighting, it provides UV protection, and the highest temperature rating in the industry. In addition to the standard color choices shown, a spectrum of custom colors is available.

### WARRANTY:

Three-year limited warranty.

### Tenon/Top:

3" O.D.

### Bolt Circle:

7" dia.

### Anchor Rods:

# Anchor Base Post (327-) Specification Sheet

|               |              |            |
|---------------|--------------|------------|
| Project Name: | Location:    | MFG: Hadco |
| Fixture Type: | Catalog No.: | Qty:       |

(4) 1/2" dia. x 18" long zinc plated steel

**Base Dimensions:**

12 7/8" sq. x 11 1/2"

**Shaft:**

4" to 3" Tapered

**Wall Thickness:**

.125"

**Height:**

8', 10', 12'

## Pole EPA Values

| Windspeed(mph) | Height |        |        |
|----------------|--------|--------|--------|
|                | 8'     | 10'    | 12'    |
| 80             | 7.7700 | 5.4500 | 3.8600 |
| 110            | 3.5900 | 2.2100 | 1.2100 |
| 130            | 3.1000 | 1.5800 | 0.4500 |

