

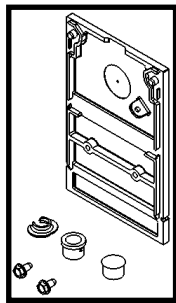
System Overview

These instructions review how to install TruGroove wall fixtures. TruGroove 4ft, 6ft and 8ft modules can be installed as individual standalone units, or they can be joined together to create continuous runs. Use these instructions in addition to supplied TruGroove suspended installation instructions.

IMPORTANT: Read all instructions before beginning installation. All mount brackets must be secured to wall structure (studs or cross-braces).

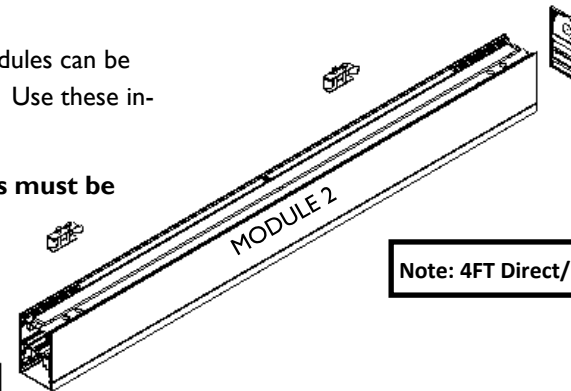
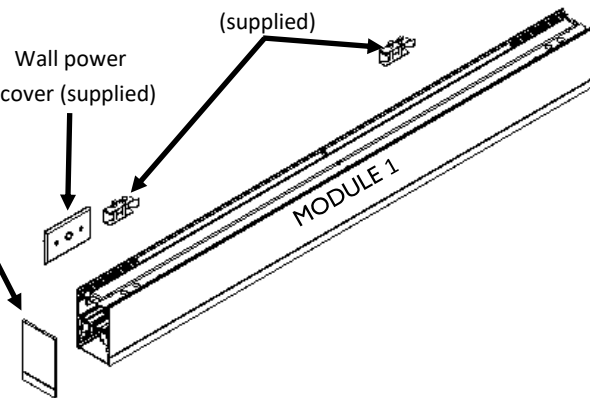
TruGroove Endcap Kit(s)

- TG D/I endcap (x1)
- #8-32 x 5/16" hex screw (x2)
- Cable strain relief (x1) (Heyco #7418)
- 1/2" Bushing (x1)
- 1/2" Plug (x1)



Wall power cover (supplied)

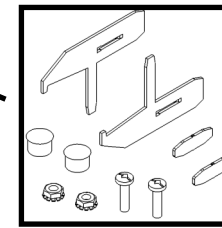
Wall bracket(s) (supplied)



Note: 4FT Direct/Indirect fixtures shown

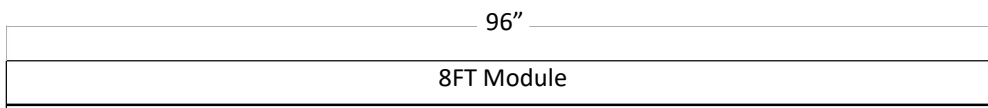
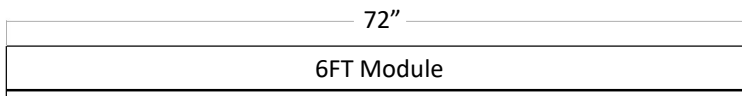
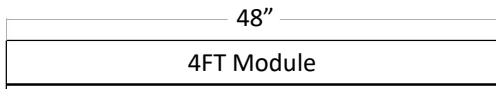
TruGroove Joint Kit(s)

- Joiner aligner (x2)
- Joiner biscuits (x2)
- #10-32 x 3/4" (x2)
- #10-32 hex lock nut (x2)
- 1/2" Plug (x2)



Module Lengths

TruGroove wall fixtures come in 4ft, 6ft and 8ft modules. Overall module lengths are shown below. Add 0.2" for each endcap for accurate run length.

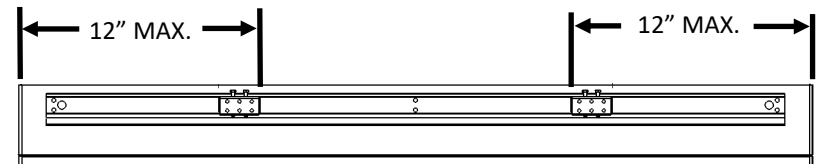


Tools Required:

- See supplied suspended TruGroove installation instructions for tools required.

Mount Spacing

TruGroove wall fixture modules are designed to attach to supplied wall brackets. **Important:** Use 2 brackets for each 4ft module and 3 brackets for each 6ft and 8ft module.



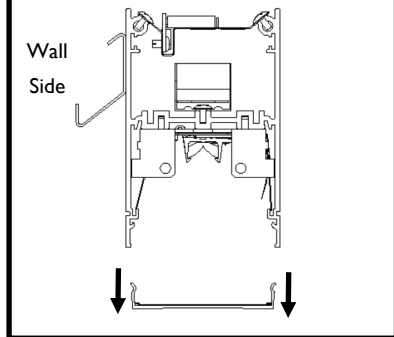
Wall brackets must be installed a maximum 12" away from fixture ends.

! ATTENTION: Install in accordance with national and local building and electrical codes.

1 Arrange boxed fixture on floor in specified mounting location, remove fixtures from boxes.

2 Lens Removal

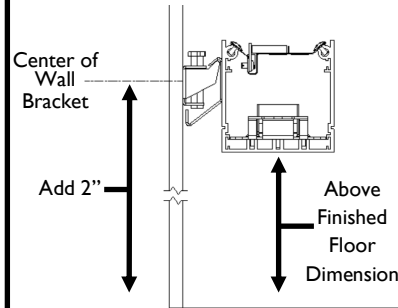
Direct/Indirect Cross-Section



Remove lens from fixture and set aside until fixture installation is complete. Use cotton gloves to handle lenses and keep in a clean environment.

3a Install Wall Bracket

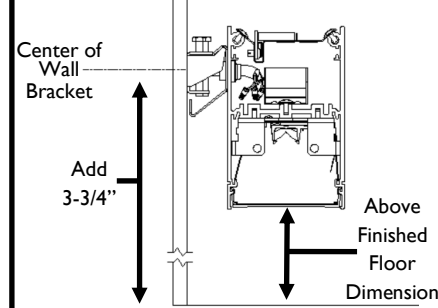
Indirect Cross-Section



Determine above finished floor dimension and add 2" for indirect configuration. Draw center line, level and center wall brackets. Install to structure using appropriate hardware (by others).

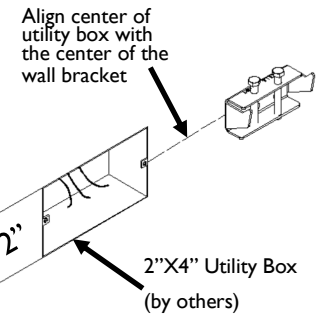
3b Install Wall Bracket

Direct/Indirect Cross-Section



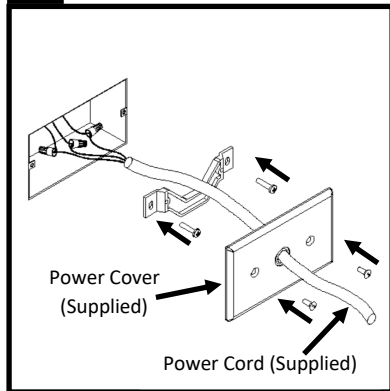
Determine above finished floor dimension and add 3-3/4" for direct/indirect configuration. Draw center line, level and center wall brackets. Install to structure using appropriate hardware (by others).

4 Utility Box Installation



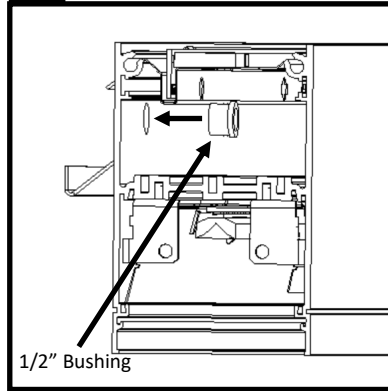
Determine power location for 2"x4" utility box (by others). Prior to installation, ensure center of utility box is centered on wall bracket center line as shown. Recommended position of utility box is 6" to 8" away from fixture end.

5 Power Cord Installation



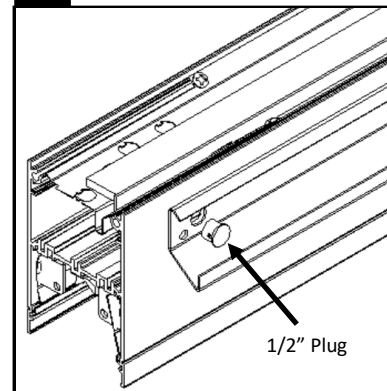
Complete wall power connections and attach supplied power cord through power cover. Attach cover to utility box.

6 Power Cord Installation



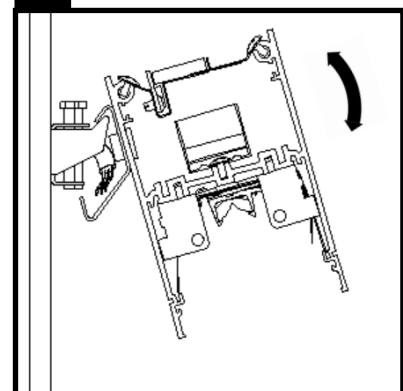
Determine power feed location on fixture. Attach supplied 1/2" bushing as shown.

7 Power Cord Installation



Install supplied 1/2" plug at opposite end of fixture housing.

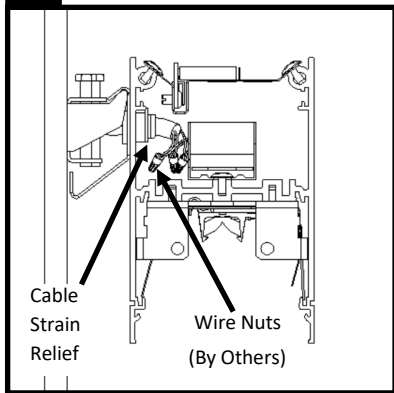
8 Fixture Installation



Hook fixture housing on top of wall bracket and gently rotate downwards while supporting housing. Housing should engage on all wall brackets and lock in position.

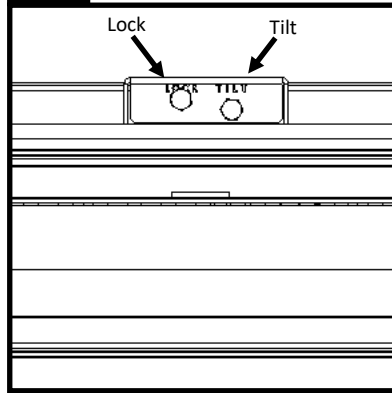
! ATTENTION: Install in accordance with national and local building and electrical codes.

9 Power Cord Installation



Feed power cord through 1/2" bushing installed in step 6. Crimp supplied cable strain relief to secure power cord inside fixture housing. Use Heyco PN0019(R12) crimping tool to ensure proper installation.

10



After module 1 is installed, adjust the tilt screw as required to level fixture.

11 Fixture Joining

- To join fixtures, follow attached TruGroove suspended installation instructions. For direct/indirect fixtures, refer to step 8 of supplied direct/indirect installation instructions.
- For indirect fixtures, refer to step 7 of supplied indirect installation instructions.

12 Endcap Attachment

- To attach endcaps, follow attached TruGroove suspended installation instructions. For direct/indirect fixtures, refer to step 13 of supplied direct/indirect installation instructions.
- For indirect fixtures, refer to step 16 of supplied indirect installation instructions.

13 Finishing

- Ensure all fixtures are level and in line with each other.
- If horizontal leveling is required, adjust tilt screw shown in step 10, level fixture and re-tighten screw.
- Check that all joint or endcap screws are installed and all seams are tight.
- Use spare 1/2" plug(s) provided to close any open 1/2" electrical knockout location(s) in top reflector.
- Lock wall bracket screws shown in step 10 to secure fixtures to wall brackets.
- Install lenses (if applicable).