



Jump's contemporary aesthetic combines the latest lighting technologies with texture, pattern, and rhythm along an uninterrupted end to end continuum of luminance.

Project: \_\_\_\_\_  
 Location: \_\_\_\_\_  
 Cat.No: \_\_\_\_\_  
 Type: \_\_\_\_\_  
 Line ID: \_\_\_\_\_ Qty: \_\_\_\_\_  
 Notes: \_\_\_\_\_

Ordering guide

example: 1238LBGQP087DEW

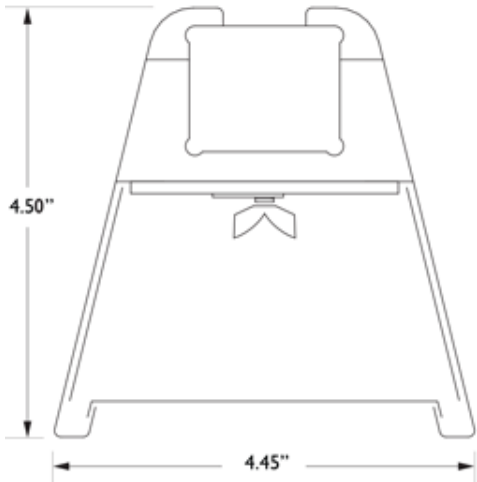
Family	Mount	Distribution	Source	CRI/CCT <sup>1</sup>	Lumens <sup>1</sup>	Optics	Housing	Run Length	Wiring <sup>2</sup>
<b>12</b>	<b>3</b>		<b>L</b>			<b>Q</b>			
<b>12</b> Jump	<b>3</b> Cantilever Wall	<b>1</b> Symmetric	<b>L</b> LED	<b>A</b> 80CRI/4000K	<b>C</b> 4900 lm/4ft	<b>Q</b> Ribbed MesoOptics Lens	<b>E</b> SolidSide <b>P</b> PixelPerf <b>S</b> SplashPerf	<b>04</b> 4ft	<b>7</b> 1cct Dimming <b>E</b> 2cct A/B Dimming (Alt. 4ft sections) <b>M</b> 1cct Dimming + EM Wiring <b>N</b> 1cct Dimming + EM Batt. Pack
				<b>B</b> 80CRI/3500K	<b>E</b> 3600 lm/4ft			<b>08</b> 8ft	
		<b>C</b> 80CRI/3000K		<b>G</b> 2400 lm/4ft	<b>xx</b> Continuous Run (4ft increments)				
		<b>8</b> Asymmetric		<b>C</b> 4200 lm/4ft	<b>E</b> 3100 lm/4ft				
				<b>G</b> 2000 lm/4ft					
Voltage		Driver	Finish						
<b>D</b> UNV 120-277V <b>3</b> 347V	<b>E</b> Advance 0-10V (1% Dim)	<b>W</b> Standard White <b>T</b> Titanium Silver <b>B</b> Black <b>C</b> Custom							

1. Nominal values within a range. Consult photometry data for CRI, color temp, lumens & distribution of chosen configuration.  
 2. Not all wiring types are available with all configurations. Consult Ledalite for a complete list of available options.

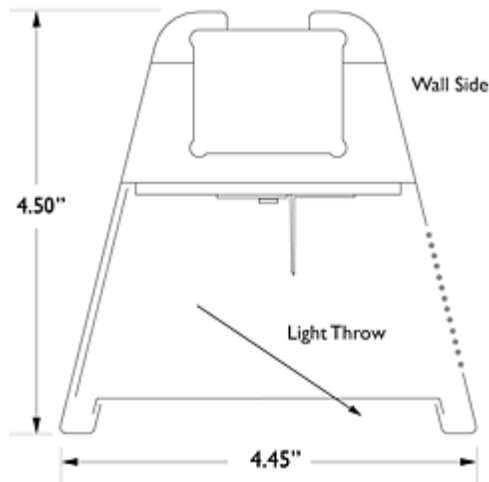
# Jump linear cantilever

## Cross Section View

Symmetric

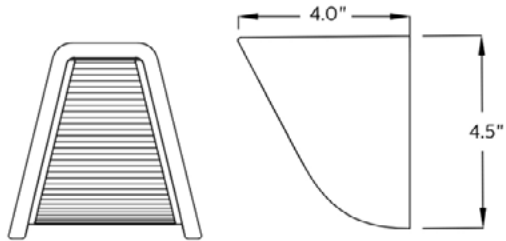


Asymmetric

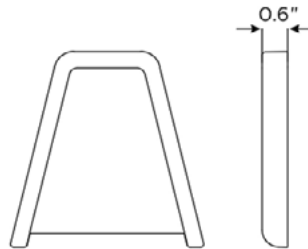


## Cross Section View – Endcaps

S – Luminous Sculpted (standard)

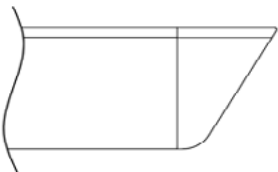


F – Flat

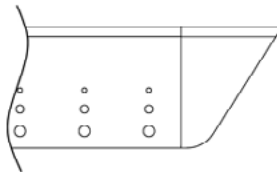


## Cross Section View – Optics Details

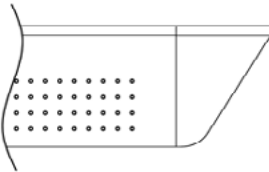
SolidSide



SplashPerf

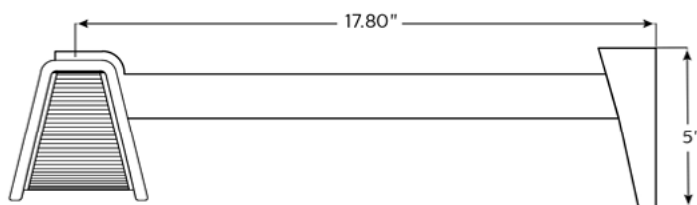


PixelPerf



## Module Details & Dimensions

Cantilever



# Jump linear cantilever

## Specifications

### Optical System

White light emitted from a linear array of downward facing LEDs is laterally redirected using either a biconvex lens or optical microstructures embedded in a layer of MesoOptics DX film. An extruded, ribbed acrylic lens and MesoOptics film assembly then generates an optimal batwing distribution and a uniform continuum of light.

### Endcaps

Diecast aluminum, available in luminous sculpted (standard) or flat (optional).

### Finish

High quality powder coated, available in matte white, black or titanium silver. Other custom colors available on request.

### Housing

20 gauge cold-rolled steel, precision formed and welded with optional perforated patterns.

### Weight

Maximum 3.5lb/ft.

### Electrical

Factory pre-wired to section ends with quick-wire connectors.

### Standard Driver

Advance Xitanium 0-10V, 1-100%. Class 2 rated output. Consult Ledalite for other available drivers.

### Standard Battery Pack

Bodine, 90 min, 10W, Class 2 rated output, Emergency lumen output = 10W x luminaire efficacy x 1.1. Typical output: symmetric 1300lm, asymmetric 1100lm.

### Lumen Maintenance

At an ambient temperature of 25°C, the LED lumen maintenance expectation according to IES TM-21-11 is:  
L80 (12k) >72,000 hrs (Reported methodology)  
L70 (12k) 110,000 hrs (Projected methodology).

### Source Color

LEDs rated for color rendering CRI >80, R9 >0 and fixture to fixture color accuracy within 2 SDCM.

### Mounting

Variable position mounts can be installed up to 18" from each joint and end (suspended, surface, wall or cantilever). In the suspended mount, high strength aircraft cable and stainless steel gripper provide unlimited vertical adjustment and are independently tested to stringent safety standards.

### Joints

Self-aligning joining system with hands-free pre-joining wire access.

### Approvals

Certified to UL, CSA and IES standards. Certain symmetric versions (12x1L) excluding 3000K, 4900lm/4ft configurations (12x1LCC) are DesignLights Consortium® qualified. Please see the DLC QPL list for exact catalog numbers ([www.designlights.org/QPL](http://www.designlights.org/QPL)).

### Warranty

Signify indoor professional luminaires 5 year LED warranty: [signify.com/warranties](http://signify.com/warranties).

### Environment

Rated for dry or damp locations in operating ambient temperatures 0-40°C (32-104°F). Certain luminaire components may be adversely affected by contaminants. Damage caused by sulfur, chlorine, petroleum based solutions or other contaminants in the area of operation are not covered under warranty. Not suitable for natatorium environments.

*Due to continuing product improvements, Ledalite reserves the right to change the specifications without notice.*

# Jump linear cantilever

## Photometrics

MesoOptics + SolidSide Housing (QE) – Symmetric Distribution

Spacing Criteria: 1.12/1.56

(Click "PDF" and "IES" text to Download)

Lumen Package	Nominal CRI & CCT	Flux (lm)	Watts (W)	Efficacy (LPW)	CRI	RP-1 VDT	DLC*	Photometry Report	IES File
4900 lm/4ft	80CRI, 4000K	4896	45.8	106.9	84	N/A	Standard	<a href="#">PDF</a>	<a href="#">IES</a>
	80CRI, 3500K	4826	45.4	106.3	83	N/A	Standard	<a href="#">PDF</a>	<a href="#">IES</a>
	80CRI, 3000K	4602	45.6	100.9	84	N/A	N/A	<a href="#">PDF</a>	<a href="#">IES</a>
3600 lm/4ft	80CRI, 4000K	3661	33.0	110.9	84	N/A	Standard	<a href="#">PDF</a>	<a href="#">IES</a>
	80CRI, 3500K	3609	32.6	110.7	83	N/A	Standard	<a href="#">PDF</a>	<a href="#">IES</a>
	80CRI, 3000K	3442	32.8	104.9	84	N/A	Standard	<a href="#">PDF</a>	<a href="#">IES</a>
2400 lm/4ft	80CRI, 4000K	2320	19.8	117.2	84	Normal spaces	Standard	<a href="#">PDF</a>	<a href="#">IES</a>
	80CRI, 3500K	2287	19.6	116.7	83	Normal spaces	Standard	<a href="#">PDF</a>	<a href="#">IES</a>
	80CRI, 3000K	2181	19.7	110.7	84	Normal spaces	Standard	<a href="#">PDF</a>	<a href="#">IES</a>

\*DLC is only available with Advance 0-10V (1% dim) drivers. EM Batt. Packs are also not available on DLC.

CANDELA DISTRIBUTION						Flux
	0	22.5	45	67.5	90	Lumens
0	780	780	780	780	780	
5	767	777	781	791	795	75
15	718	746	797	841	856	224
25	630	691	797	866	885	359
35	527	614	753	821	832	447
45	425	509	642	673	663	454
55	317	372	451	437	420	364
65	195	221	249	233	223	228
75	94	102	105	99	97	108
85	24	24	24	20	19	27
90	0	0	0	0	0	
95	0	0	0	0	0	0
105	0	0	0	0	0	0
115	0	0	0	0	0	0
125	0	0	0	0	0	0
135	0	0	0	0	0	0
145	0	0	0	0	0	0
155	0	0	0	0	0	0
165	0	0	0	0	0	0
175	0	0	0	0	0	0
180	0	0	0	0	0	

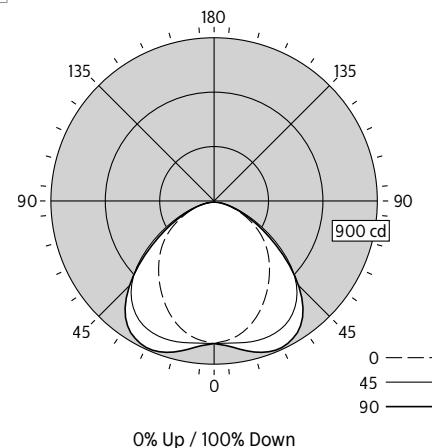
\*Photometric data shown is for 2400 lm/4ft, 3500K, 80 CRI configuration.

COEFFICIENTS OF UTILIZATION (%)													
Pc---	80				70				50				0
Pw---	70	50	30	10	70	50	30	50	30	10	0	0	
RCR													
0	119	119	119	119	116	116	116	111	111	111	100		
1	110	105	101	98	107	103	99	99	96	93	85		
2	100	92	86	81	98	91	85	87	82	78	72		
3	92	82	74	68	89	80	73	77	71	66	61		
4	84	72	64	58	82	71	63	69	62	56	53		
5	77	65	56	50	75	64	56	62	54	49	46		
6	71	58	50	43	70	58	49	56	48	43	40		
7	66	53	44	38	65	52	44	51	43	38	35		
8	62	48	40	34	60	48	40	46	39	34	32		
9	58	44	36	31	56	44	36	43	35	31	28		
10	54	41	33	28	53	40	33	39	32	28	26		

ZONAL LUMEN SUMMARY			
Zone	Lumens	%Fixture	%Lamp
0-30	658	28.8%	28.8%
0-40	1105	48.3%	48.3%
0-60	1924	84.1%	84.1%
0-90	2287	100.0%	100.0%
90-130	0	0.0%	0.0%
90-150	0	0.0%	0.0%
90-180	0	0.0%	0.0%
0-180	2287	100.0%	100.0%

Electrical				
120V: P(W), I(A), THD(%), PF	19.6	0.164	8.1	0.994
277V: P(W), I(A), THD(%), PF	19.6	0.073	11.7	0.965
347V: P(W), I(A), THD(%), PF	N/A	N/A	N/A	N/A

AVG LUMINANCE (cd/m²)			
	0	45	90
0	6526	6526	6526
5	6443	6558	6672
15	6214	6903	7412
25	5813	7356	8167
35	5385	7692	8494
45	5027	7595	7839
55	4627	6575	6129
65	3861	4920	4422
75	3025	3387	3148
85	2322	2275	1852



# Jump linear cantilever

## Photometrics

MesoOptics + SplashPerf or PixelPerf Housing (QP or QS) – Symmetric Distribution

Spacing Criteria: 1.12/1.56

(Click "PDF" and "IES" text to Download)

Lumen Package	Nominal CRI & CCT	Flux (lm)	Watts (W)	Efficacy (LPW)	CRI	RP-1 VDT	DLC*	Photometry Report	IES File
4900 lm/4ft	80CRI, 4000K	5012	45.6	109.9	84	N/A	Standard	<a href="#">PDF</a>	<a href="#">IES</a>
	80CRI, 3500K	4940	45.1	109.5	83	N/A	Standard	<a href="#">PDF</a>	<a href="#">IES</a>
	80CRI, 3000K	4710	45.4	103.7	84	N/A	N/A	<a href="#">PDF</a>	<a href="#">IES</a>
3600 lm/4ft	80CRI, 4000K	3748	32.8	114.3	84	N/A	Standard	<a href="#">PDF</a>	<a href="#">IES</a>
	80CRI, 3500K	3695	32.5	113.7	83	N/A	Standard	<a href="#">PDF</a>	<a href="#">IES</a>
	80CRI, 3000K	3523	32.6	108.1	84	N/A	Standard	<a href="#">PDF</a>	<a href="#">IES</a>
2400 lm/4ft	80CRI, 4000K	2375	19.7	120.6	84	Normal spaces	Standard	<a href="#">PDF</a>	<a href="#">IES</a>
	80CRI, 3500K	2342	19.5	120.1	83	Normal spaces	Standard	<a href="#">PDF</a>	<a href="#">IES</a>
	80CRI, 3000K	2232	19.6	113.9	84	Normal spaces	Standard	<a href="#">PDF</a>	<a href="#">IES</a>

\*DLC is only available with Advance 0-10V (1% dim) drivers. EM Batt. Packs are also not available on DLC.

CANDELA DISTRIBUTION						Flux
	0	22.5	45	67.5	90	Lumens
0	764	764	764	764	764	
5	752	760	765	774	778	73
15	703	730	780	823	837	220
25	615	677	781	847	865	351
35	515	601	738	803	813	438
45	413	497	629	657	648	444
55	308	364	443	426	411	356
65	189	217	245	227	219	224
75	91	101	106	101	100	109
85	24	26	29	29	30	32
90	2	6	9	13	14	
95	3	8	12	15	16	12
105	3	13	15	18	18	15
115	3	16	19	20	21	17
125	4	15	22	23	23	16
135	5	13	23	25	25	14
145	6	11	20	24	23	11
155	6	9	15	20	19	7
165	7	8	10	13	13	3
175	7	7	7	8	8	1
180	7	7	7	7	7	

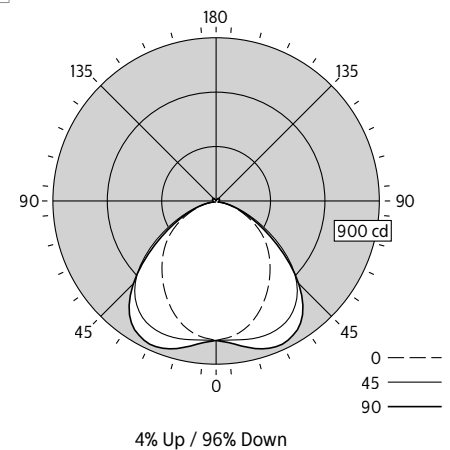
\*Photometric data shown is for 2400 lm/ 4ft, 3500K, 80 CRI configuration.

COEFFICIENTS OF UTILIZATION (%)													
Pc---	80				70				50				0
Pw---	70	50	30	10	70	50	30	50	30	10	0	0	
RCR													
0	118	118	118	118	115	115	115	109	109	109	96		
1	109	104	100	96	105	101	98	96	94	91	82		
2	99	91	85	80	96	89	83	85	80	76	69		
3	91	81	73	67	88	79	72	75	69	64	59		
4	83	72	63	57	81	70	62	67	60	55	50		
5	77	64	55	49	74	63	55	60	53	48	44		
6	71	58	49	43	69	57	48	54	47	42	38		
7	66	52	44	38	64	51	43	49	42	37	34		
8	61	48	39	34	59	47	39	45	38	33	30		
9	57	44	36	30	55	43	35	42	35	30	27		
10	53	40	33	27	52	40	32	38	32	27	25		

ZONAL LUMEN SUMMARY			
Zone	Lumens	%Fixture	%Lamp
0-30	644	27.5%	27.5%
0-40	1081	46.2%	46.2%
0-60	1882	80.4%	80.4%
0-90	2246	95.9%	95.9%
90-130	60	2.6%	2.6%
90-150	85	3.6%	3.6%
90-180	95	4.1%	4.1%
0-180	2342	100.0%	100.0%

Electrical				
120V: P(W), I(A), THD(%), PF	19.5	0.163	8.1	0.994
277V: P(W), I(A), THD(%), PF	19.5	0.073	11.7	0.965
347V: P(W), I(A), THD(%), PF	N/A	N/A	N/A	N/A

AVG LUMINANCE (cd/m²)			
	0	45	90
0	6390	6390	6390
5	6289	6212	6259
15	6023	6130	6392
25	5574	6115	6477
35	5113	5947	6153
45	4703	5388	5111
55	4250	4185	3497
65	3453	2671	2094
75	2559	1408	1124
85	1557	516	424



# Jump linear cantilever

## Photometrics

MesoOptics + SolidSide Housing (QE) – Asymmetric Distribution

Spacing Criteria: 1.86/1.43

(Click "PDF" and "IES" text to Download)

Lumen Package	Nominal CRI & CCT	Flux (lm)	Watts (W)	Efficacy (LPW)	CRI	RP-1 VDT	DLC*	Photometry Report	IES File
4200 lm/4ft	80CRI, 4000K	4396	45.6	96.4	84	N/A	N/A	<a href="#">PDF</a>	<a href="#">IES</a>
	80CRI, 3500K	4333	45.1	96.1	83	N/A	N/A	<a href="#">PDF</a>	<a href="#">IES</a>
	80CRI, 3000K	4132	45.4	91.0	84	N/A	N/A	<a href="#">PDF</a>	<a href="#">IES</a>
3100 lm/4ft	80CRI, 4000K	3288	32.8	100.2	84	N/A	N/A	<a href="#">PDF</a>	<a href="#">IES</a>
	80CRI, 3500K	3241	32.5	99.7	83	N/A	N/A	<a href="#">PDF</a>	<a href="#">IES</a>
	80CRI, 3000K	3090	32.6	94.8	84	N/A	N/A	<a href="#">PDF</a>	<a href="#">IES</a>
2000 lm/4ft	80CRI, 4000K	2084	19.7	105.8	84	N/A	N/A	<a href="#">PDF</a>	<a href="#">IES</a>
	80CRI, 3500K	2054	19.5	105.3	83	N/A	N/A	<a href="#">PDF</a>	<a href="#">IES</a>
	80CRI, 3000K	1958	19.6	99.9	84	N/A	N/A	<a href="#">PDF</a>	<a href="#">IES</a>

\*DLC is only available with Advance 0-10V (1% dim) drivers. EM Batt. Packs are also not available on DLC.

CANDELA DISTRIBUTION						Flux
	0	22.5	45	67.5	90	Lumens
0	568	568	568	568	568	
5	628	614	555	544	538	56
15	911	786	551	529	545	187
25	1217	1001	546	524	525	338
35	1074	952	531	450	405	412
45	643	614	423	315	263	347
55	374	344	264	192	158	240
65	235	202	142	107	89	153
75	149	118	63	49	43	87
85	82	63	16	15	11	41
90	79	55	3	4	2	
95	85	59	3	3	3	31
105	88	64	3	6	6	33
115	89	67	5	9	8	33
125	88	66	7	12	11	31
135	82	62	9	14	13	26
145	72	55	12	13	13	19
155	59	44	14	10	11	12
165	40	31	15	7	7	6
175	22	19	15	11	10	1
180	15	15	15	15	15	

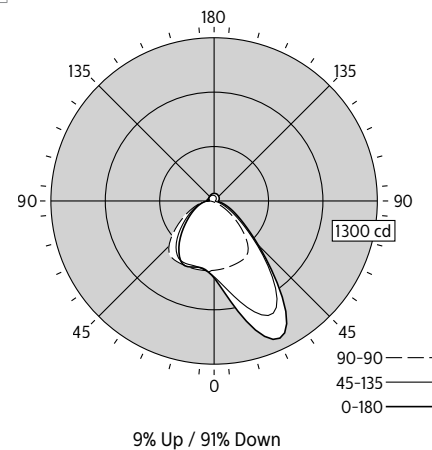
\*Photometric data shown is for 2000 lm/ 4ft, 3500K, 80 CRI configuration.

COEFFICIENTS OF UTILIZATION (%)													
Pc---	80				70				50				0
Pw---	70	50	30	10	70	50	30	50	30	10	0	0	
RCR													
0	117	117	117	117	113	113	113	106	106	106	91		
1	107	103	99	95	104	100	96	94	91	88	77		
2	98	91	85	79	95	88	82	83	78	74	66		
3	90	81	73	67	87	78	71	74	68	63	57		
4	83	72	64	57	80	70	62	66	60	55	49		
5	77	65	56	50	74	63	55	60	53	48	43		
6	71	58	50	44	68	57	49	54	47	42	38		
7	66	53	45	39	64	52	44	49	42	37	34		
8	61	48	40	35	59	47	40	45	38	34	30		
9	57	44	36	31	55	43	36	42	35	30	27		
10	54	41	33	28	52	40	33	38	32	27	25		

ZONAL LUMEN SUMMARY			
Zone	Lumens	%Fixture	%Lamp
0-30	581	28.3%	28.3%
0-40	993	48.3%	48.3%
0-60	1580	76.9%	76.9%
0-90	1862	90.6%	90.6%
90-130	129	6.3%	6.3%
90-150	174	8.5%	8.5%
90-180	193	9.4%	9.4%
0-180	2054	100.0%	100.0%

Electrical				
120V: P(W), I(A), THD(%), PF	19.5	0.163	8.1	0.994
277V: P(W), I(A), THD(%), PF	19.5	0.073	11.7	0.965
347V: P(W), I(A), THD(%), PF	N/A	N/A	N/A	N/A

AVG LUMINANCE (cd/m²)			
	0	45	90
0	4749	4749	4749
5	5051	4641	4331
15	6960	4725	4163
25	9109	4949	3927
35	8125	5273	3062
45	5074	4815	2071
55	3182	3648	1347
65	2241	2586	854
75	1678	1777	480
85	1174	1052	159



# Jump linear cantilever

## Photometrics

MesoOptics + SplashPerf or PixelPerf Housing (QP or QS) – Asymmetric Distribution

Spacing Criteria: 1.75/1.27

(Click "PDF" and "IES" text to Download)

Lumen Package	Nominal CRI & CCT	Flux (lm)	Watts (W)	Efficacy (LPW)	CRI	RP-1 VDT	DLC*	Photometry Report	IES File
4200 lm/4ft	80CRI, 4000K	4355	45.8	95.1	84	N/A	N/A	<a href="#">PDF</a>	<a href="#">IES</a>
	80CRI, 3500K	4293	45.4	94.6	83	N/A	N/A	<a href="#">PDF</a>	<a href="#">IES</a>
	80CRI, 3000K	4093	45.6	89.8	84	N/A	N/A	<a href="#">PDF</a>	<a href="#">IES</a>
3100 lm/4ft	80CRI, 4000K	3257	33.0	98.7	84	N/A	N/A	<a href="#">PDF</a>	<a href="#">IES</a>
	80CRI, 3500K	3210	32.6	98.5	83	N/A	N/A	<a href="#">PDF</a>	<a href="#">IES</a>
	80CRI, 3000K	3061	32.8	93.3	84	N/A	N/A	<a href="#">PDF</a>	<a href="#">IES</a>
2000 lm/4ft	80CRI, 4000K	2064	19.8	104.2	84	N/A	N/A	<a href="#">PDF</a>	<a href="#">IES</a>
	80CRI, 3500K	2035	19.6	103.8	83	N/A	N/A	<a href="#">PDF</a>	<a href="#">IES</a>
	80CRI, 3000K	1940	19.7	98.5	84	N/A	N/A	<a href="#">PDF</a>	<a href="#">IES</a>

\*DLC is only available with Advance 0-10V (1% dim) drivers. EM Batt. Packs are also not available on DLC.

CANDELA DISTRIBUTION						Flux
	0	22.5	45	67.5	90	Lumens
0	635	635	635	635	635	
5	683	673	619	609	600	61
15	882	782	598	573	579	192
25	1080	906	562	543	536	324
35	972	849	514	466	432	391
45	603	562	398	327	277	332
55	349	320	249	198	168	230
65	218	187	133	112	103	148
75	141	111	59	58	56	87
85	87	65	15	24	24	46
90	82	58	3	14	18	
95	86	61	3	14	20	37
105	91	67	3	17	22	39
115	91	68	5	19	24	39
125	89	69	8	21	25	35
135	85	68	11	18	23	29
145	79	60	14	17	18	22
155	63	45	16	14	16	13
165	41	32	17	11	12	6
175	24	21	18	14	13	2
180	17	17	17	17	17	

\*Photometric data shown is for 2000 lm/4ft, 3500K, 80 CRI configuration.

COEFFICIENTS OF UTILIZATION (%)													
Pc---	80				70				50				0
Pw---	70	50	30	10	70	50	30	50	30	10	0	0	
RCR													
0	116	116	116	116	112	112	112	105	105	105	89		
1	107	102	98	95	103	99	96	93	90	87	76		
2	98	90	84	79	94	88	82	82	78	74	65		
3	90	80	73	67	87	78	71	73	68	63	56		
4	83	72	64	57	80	70	62	66	59	54	48		
5	76	64	56	50	74	63	55	59	53	48	42		
6	71	58	50	44	68	57	49	54	47	42	37		
7	66	53	45	39	63	52	44	49	42	37	33		
8	61	48	40	35	59	47	40	45	38	34	30		
9	57	44	37	31	55	43	36	41	35	30	27		
10	54	41	33	28	52	40	33	38	32	27	25		

ZONAL LUMEN SUMMARY			
Zone	Lumens	%Fixture	%Lamp
0-30	578	28.4%	28.4%
0-40	969	47.6%	47.6%
0-60	1531	75.2%	75.2%
0-90	1812	89.0%	89.0%
90-130	150	7.4%	7.4%
90-150	202	9.9%	9.9%
90-180	223	11.0%	11.0%
0-180	2035	100.0%	100.0%

Electrical				
120V: P(W), I(A), THD(%), PF	19.6	0.164	8.1	0.994
277V: P(W), I(A), THD(%), PF	19.6	0.073	11.7	0.965
347V: P(W), I(A), THD(%), PF	N/A	N/A	N/A	N/A

AVG LUMINANCE (cd/m²)			
	0	45	90
0	5311	5311	5311
5	5497	5179	4830
15	6738	5121	4423
25	8082	5090	4014
35	7348	5105	3265
45	4758	4526	2185
55	2969	3431	1431
65	2084	2427	982
75	1589	1650	627
85	1238	976	348

