

Stonco

by Signify

Wall Mount

LWL Wall Light



Project: _____

Location: _____

Cat.No: _____

Type: _____

Lamps: _____ Qty: _____

Notes: _____

The Stonco LWL Wall Light luminaire is an economical solution for general purpose wall mount lighting, made available in an attractive compact form. The stylish design is ideal for over doors, entry ways and other general purpose all mount applications. Featuring enhanced generation, chip-on-board LED performance, LWL Wall Light offers one of the most affordable, energy efficient solutions and accommodates a broad range of applications in every day wall lighting.

Ordering guide

Example: LWLLED1C5K120PCBBZ

Luminaire	Lamp Source	Configuration	Color Temperature	Voltage	Features	Finish
LWL	LED	1C	5K	120	PCB	BZ
LWLLWL Wall Light	LED	1C 1 Chip On Board	5K 5000K	120 120V	PCB Photocell Button Type (integrated)	BZ Bronze

Specifications

General Description

LED Wall Light combines economy with efficiency and is provided with LED technology that offers significant savings over traditional incandescent wall luminaires. This compact luminaire easily mounts over a standard 4" j-box and features a built-in button photo cell for automatic dusk to dawn lighting needs. Ideal for replacing the classic glass jar lights typically used over doors and by entry ways, LED Wall Light can also be used as ambient marker lights and throughout corridors for added security and illumination.

Housing

One piece die cast aluminum housing.

Electrical

120V driver (efficiency >90% standard) provided with 120V button photocell. RoHS compliant.

Optical System

White diffuse lens. Lens material is durable polycarbonate. Chip on board LED, 5000K +/-250K. Typical 70 CRI.

Mounting

Wall mount lens in downward facing position only. Standard luminaire provided with galvanized mounting plate. Can be mounted over a 4" j-box or smaller.

Listings

ETL listed to the UL 1598 standard, suitable for Wet Locations. Suitable for use in ambients from -40° to 40°C (-22° to 104°F).

Finish

Each standard color luminaire receives a fade and abrasion resistant, electrostatically applied, thermally cured, triglycidal isocyanurate (TGIC) textured polyester powdercoat finish. Standard finish color is textured bronze (BZ).

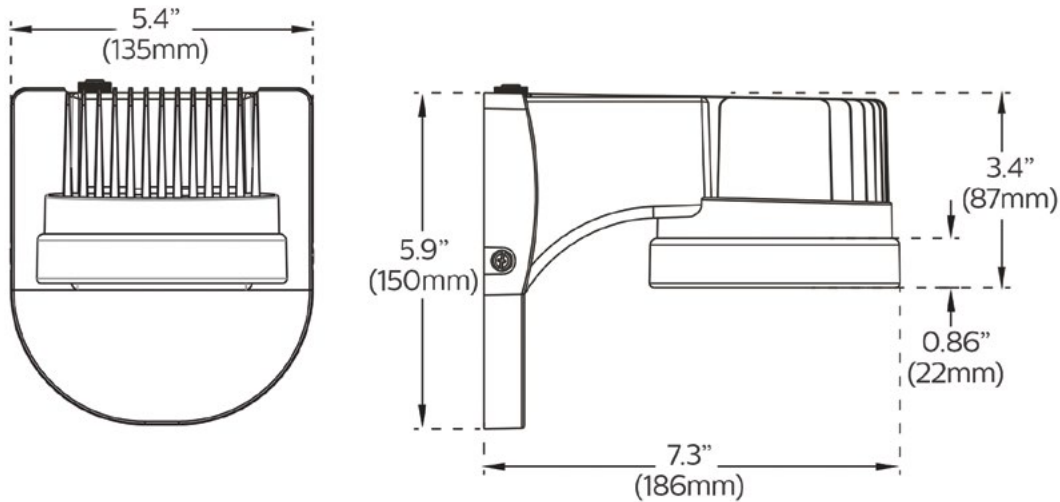
Limited Warranty

LED Wall Light luminaires feature a 5 year limited warranty.



LWL LED wall light

Dimensions



Approximate Luminaire Weight: 2.4 Lbs (1.1 Kg)

LED Wattage and Lumen Values

Ordering Codes	Total LEDs	System Current (mA)	Color Temp. (K)	Average System Wattage ¹	Lumen Output ^{1,2}	BUG Rating	Efficacy (LPW)
LWL-LED-1C-5K-120	1	286	5000	12	829	B1-U3-G1	69

1. Wattage and lumen output may vary by due to LED manufacturer forward volt specification and ambient temperature. Wattage shown is average for 120V input. Measured wattage may vary due to variation in input voltage.
2. Lumen values based on photometric tests performed in compliance with IESNA LM-79.

NOTE: Contact outdoorlighting.applications@philips.com for details or additional information.

Predicted Lumen Depreciation Data

Ambient Temperature °C	LED Current	Calculated L ₇₀ hrs ^{1,2}	L ₇₀ Per TM-21 ³	Lumen Maintenance % @ 48,000hrs ¹
LWL-LED-1C-5K-120	286mA	> 182,000 hours	> 48,000 hours	82%

1. Predicted performance derived from LED manufacturer's data and engineering design estimates, based on IESNA LM-80 methodology. Actual experience may vary due to field application conditions.
2. L₇₀ is the predicted time when LED performance depreciates to 70% of initial lumen output.
3. Calculated per IESNA TM 21-11. Published L₇₀ hours limited to 6 times actual LED test hours

