

LIGHTOLIER

by  Signify

No limits lighting design



Downlighting

Calculite 3"



More choices than ever before for **no-limits** lighting design

You love to light, layer and illuminate spaces that make a statement. You've been asking us for more options, a smaller aperture, one-frame... well, we listened.

All luminaires feature:

- New 3" aperture for the UniFrame series platform
- Round and Square apertures
- Downlight, Adjustable accent and Wall wash configurations
- New 1" regress trim options
- 2-step color consistency and 90 CRI as a standard
- Versatile installation options including; New construction Non-IC, AirSeal IC, and Remodeler
- Up to 1800 lumens delivered
- Adjustable accent provides 45° vertical aiming

It's what you wanted, it's what you got.

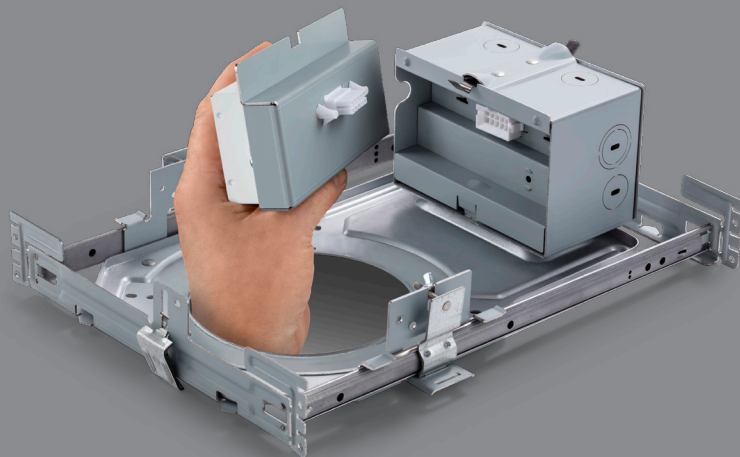




So many options...

the ease of one frame

The Lightolier UniFrame, single frame solution, is adaptable and was designed to respond to ever-changing project needs. Three of our downlight families use this frame, making your flexibility and choices almost endless.

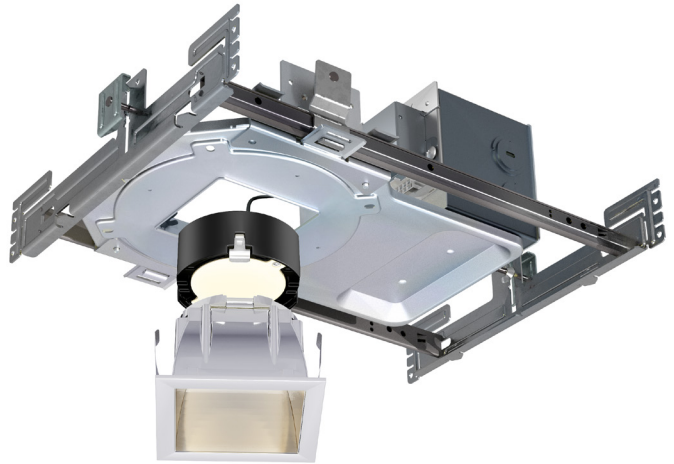
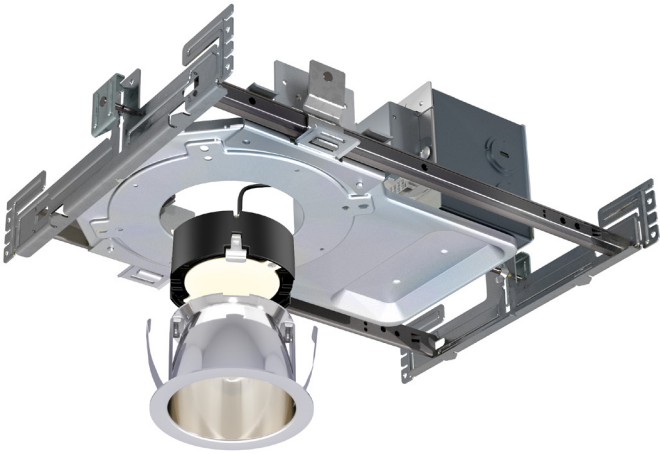


Calculite LED 3"

Downlight and Wall wash

Lightolier has expanded your downlighting options with a new generation of Calculite 3" luminaires. Trim styles are now available in either deep or shallow. Deep trims offer superior cut-off and enhanced visual comfort, while the shallow

1" regress trims add a little brightness to the ceiling plane, creating a less formal effect. The 3" wall wash distributes 70% of light on the surface with a spacing ratio of 2:1. Designers will love the uniform light levels on the wall.



Round styles



Lensed wall wash, Downlight & Shallow downlight

All shown with **Comfort clear** reflector and **Polished** flange

Square styles



Lensed wall wash, Downlight & Shallow downlight

All shown with **Comfort clear** reflector and **Polished** flange

Finishes



Specular clear

Most specular and efficient finish, delivers maximum photometric performance. Can produce a mirror image effect of interior space.



Comfort clear

Semi-specular finish, softens light at the source in reflector while creating a subtle, even luminance from the reflector cone.



Champagne bronze

Semi-specular finish, softens light at the source in reflector while creating a warmer reflector appearance (light output is slightly warmer).



Comfort clear diffuse

Slightly diffuse clear finish, reduces the mirror image effect inherent with specular finishes and eliminates iridescence.



White

Brightest illuminated aperture, provides the smoothest transition to most ceilings when off (only offered with a white flange).



Black

Specular finish, provides lowest aperture brightness possible and reduces source identification in ceiling significantly (only offered with a black flange).

Note: Reference Calculite LED 3" specification sheets for examples of painted finishes.

Ordering guide

Refer to footnotes at the bottom of the page for configuration restrictions.

Frame (Frame + Engine + Trim = complete product)

example: 3RN

Series	Installation	Option	
3R 3" Round 3S 3" Square	N New construction (Non-IC)	– Universal (120V/277V) EM Emergency ¹ IP Interact Pro ²	LC Chicago plenum 3 347V (not compatible with ELV dimming) 3IP 347V with Interact Pro (for 0-10V engine only) ²
	A AirSeal (IC) 1000lm max ¹	– Standard universal (120V/277V) ³	S Shallow universal (120V/277V) ³
Note: For remodeler installations, order light engine and trim only (no frame needed)			

Engine

example: C3L10930NZ10U

Series	Lumens	CRI	CCT	Beam	Dimming	Voltage	Plenum
C3L		9					
C3L 3" Aperture	05 500lm	9 90 CRI	27 2700K	N Narrow (33°) round only M Medium (55°) round only W Wide (62°) round only S Square aperture (determined by trim)	Z10 0-10V 1% L Lutron PEQO (Dim to 0.1%)	U Universal (120/277/347V)	– Standard
	07 750lm		30 3000K				
	10 1000lm		35 3500K				
	15 1500lm		40 4000K				
	10 1000lm	9 90 CRI	D2W 3000K-1800K ⁴		E ELV	1 120V	
	07 750lm	9 90 CRI	27 2700K	N Narrow (33°) round only M Medium (55°) round only W Wide (62°) round only S Square aperture (determined by trim)	Z10 0-10V 1%	U Universal (120/277/347V)	R Remodeler ⁵ S Shallow ³
	10 1000lm		30 3000K				
			35 3500K				
			40 4000K				

Trim

example: C3RDLCLP

Series	Style	Beam	Reflector	Flange	Type
C3R 3" Round C3S 3" Square	DL Downlight (for remodeler & new construction) LW Lensed wall wash (for remodeler & new construction)	– Round aperture N Narrow (33°) square only M Medium (55°) square only W Wide (62°) square only	BK Black (anodized) round only CL Specular clear CC Comfort clear CD Comfort clear diffuse CZ Champagne bronze WH White (matte) WT Textured white (painted) BT Textured black (painted) BZ Bronze (painted) D Aluminum diffuse (painted)	– White (matte) P Matching reflector – White (matte) P Matching reflector	F Flangeless ⁶ F Flangeless ⁶ S 1" regress cast aluminum (wide beam only)
		Note: Beam spreads are for square Downlight only and are not used with Lensed wall wash configurations.			

Accessories

CA3RFT	Round mud-in ring for use in flangeless trim installations (ordered with a flangeless trim)
CA3SFT	Square mud-in ring for use in flangeless trim installations (ordered with a flangeless trim)
SWZDT	SpaceWise wireless controller with dwell time functionality (compatible with all 0-10V options, see SWZDT spec sheet)
SRAINT	InterAct Office accessory (for use with Lightolier UniFrame 0-10V products)

- Emergency (EM) frame includes emergency battery with ceiling and reflector mountable test switch. Requires above ceiling access. Ceiling mount test switch only. (see spec sheet for details and limitations).
- InterAct Pro requires above ceiling access.
- Must order shallow IC frame, shallow engine and shallow trim for complete shallow assembly. Standard depth trims are compatible with shallow frame.
- Dim to Warm (D2W) configurations are for Non-IC frames only.
- For remodeler installations, order light engine and trim only (no frame needed).
- Flangeless options require CA3RFT (round aperture) or CA3SFT (square aperture) mud-in accessory for installation.

Recommendation: For best result specify Narrow (N) beam option for Lensed wall wash (LW) applications.

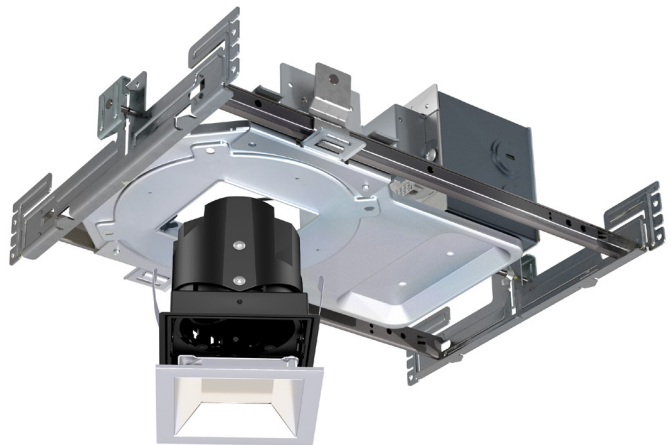
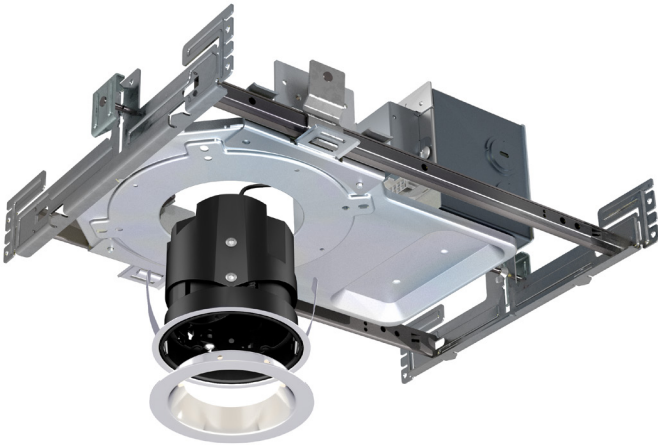
Note: Information may be subject to change, see Calculite LED 3" specification sheets for details and exclusions. Consult factory for additional dimming options.

Calculite LED 3"

Adjustable accent

The Calculite adjustable accent is sure to impress with its precision design. This meticulously engineered downlight is pre-adjusted to 22.5° out of the box, saving installation time. It can be vertically adjusted to 45° with three quick turns of a screwdriver and locked into place.

At just 4 7/8" installed, this accent is one of the shallowest on the market.* When you choose the new Calculite adjustable accent, you will enjoy increased design flexibility with field changeable optics and four different beam angles.



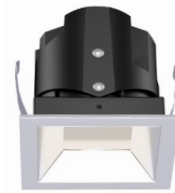
Round style



Adjustable accent

Shown with Comfort clear reflector and Polished flange

Square style



Adjustable accent

Shown with Comfort clear reflector and Polished flange

Finishes



Specular clear



Comfort clear



Champagne bronze



Comfort clear diffuse



White



Black

* Must order shallow IC frame, shallow engine and shallow trim for complete shallow assembly.

Note: Descriptions of all finishes are listed on page 2. Reference Calculite LED 3" specification sheets for examples of painted finishes.

Ordering guide

Refer to footnotes at the bottom of the page for configuration restrictions.

Frame (Frame + Engine + Trim = complete product)

example: 3RN

Series	Installation	Option
3R 3" Round 3S 3" Square	N New construction (Non-IC)	– Universal (120V/277V) LC Chicago plenum EM Emergency ¹ 3 347V (not compatible with ELV dimming) 3IP 347V with Interact Pro (for 0-10V engine only) ² IP Interact Pro ² 3 347V with Interact Pro (for 0-10V engine only) ²
	A AirSeal (IC) 1000lm max ¹	– Standard universal (120V/277V) ³ S Shallow universal (120V/277V) ³
Note: For remodeler installations, order light engine and trim only (no frame needed)		

Engine

example: C3RA10930NFZ10U

Series	Lumen	CRI	CCT	Beam	Dimming	Voltage	Plenum
C3LRA 3" Round aperture C3LSA 3" Round aperture	05 500lm 07 750lm 10 1000lm 15 1500lm 18 1800lm	9 90 CRI	27 2700K 30 3000K 35 3500K 40 4000K	NS 12° Narrow spot SP 18° Spot NF 24° Narrow flood FL 36° Flood	Z10 0-10V 1% L Lutron PEQ0 (Dim to 0.1%) E ELV	U Universal (120/277/347V) 1 120V	– Standard
	07 1000lm 07 750lm 10 1000lm	9 90 CRI	D2W 3000K-1800K ⁴ 27 2700K 30 3000K 35 3500K 40 4000K	NS 12° Narrow Spot SP 18° Spot NF 24° Narrow Flood FL 36° Flood	Z10 0-10V 1% E ELV	U Universal (120/277/347V) 1 120V	R Remodeler ⁵ S Shallow ³

Trim

example: C3RACL P

Series	Style	Reflector	Flange	Type
C3R 3" Round C3S 3" Square	A Adjustable accent AP Adjustable pinhole (pinhole is only available as a round trim in white with either a white or black bevel - consult factory for more info)	BK Black (anodized) round only CL Specular clear CC Comfort clear CD Comfort clear diffuse CZ Champagne bronze round only	– White (matte) F Flangeless ⁶ P Matching reflector	– Standard depth with 50° cutoff
		WH White (matte)	– White (matte) F Flangeless ⁶	
		PH White (matte) round only	WH White (matte) BK Black (matte)	
	Note: For Shower light option order LyteProfile (P3RSL)	WT Textured white (painted) BT Textured black (painted) BZ Bronze (painted) D Aluminum diffuse (painted)	P Matching reflector F Flangeless ⁶	S 1" regress cast aluminum

Accessories

CA3RFT	Round mud-in ring for use in flangeless trim installations (ordered with a flangeless trim)
CA3SFT	Square mud-in ring for use in flangeless trim installations (ordered with a flangeless trim)
SWZDT	SpaceWise wireless controller with dwell time functionality (compatible with all 0-10V options, see SWZDT spec sheet)
SRAINT	InterAct Office accessory (for use with Lightolier UniFrame 0-10V products)

- Emergency (EM) frame includes emergency battery with ceiling and reflector mountable test switch. Requires above ceiling access. Ceiling mount test switch only. (see spec sheet for details and limitations).
- InterAct Pro requires above ceiling access.
- Must order shallow IC frame and shallow engine for complete shallow assembly. Standard depth trims are compatible with shallow frame.
- Dim to Warm (D2W) engines are for Non-IC (N) frames only.
- For remodeler installations, order light engine and trim only (no frame needed).
- Flangeless (F) options require CA3RFT (round aperture) or CA3SFT (square aperture) mud-in accessory for installation.

Note: Information may be subject to change, see Calculite LED 3" specification sheets for details and exclusions. Consult factory for additional dimming options.

