

**PHILIPS
LIGHTOLIER**

Downlighting

Calculite LED
generation 3



Experience the change,
See the difference

Specification-grade downlighting family

Calculite LED generation 3



Downlights are a versatile tool used to enhance spaces and create visual appeal. As an ambient light source, recessed downlights create a comfortable, soothing illumination throughout the space without distraction. At the same time, downlights can boldly or subtly accentuate architectural or design elements to create rich dimensions and visual interest. No matter how downlights are incorporated into your lighting design, trust market-leading Philips Lightolier Calculite LED generation 3 downlights to maximize the impact of your lighting design.



reddot award 2017
winner

**Calculite LED generation 3
specification-grade downlighting**
delivers exceptional visual comfort
and optical control, extraordinary
mechanical precision, installation
efficiency and future proofing.



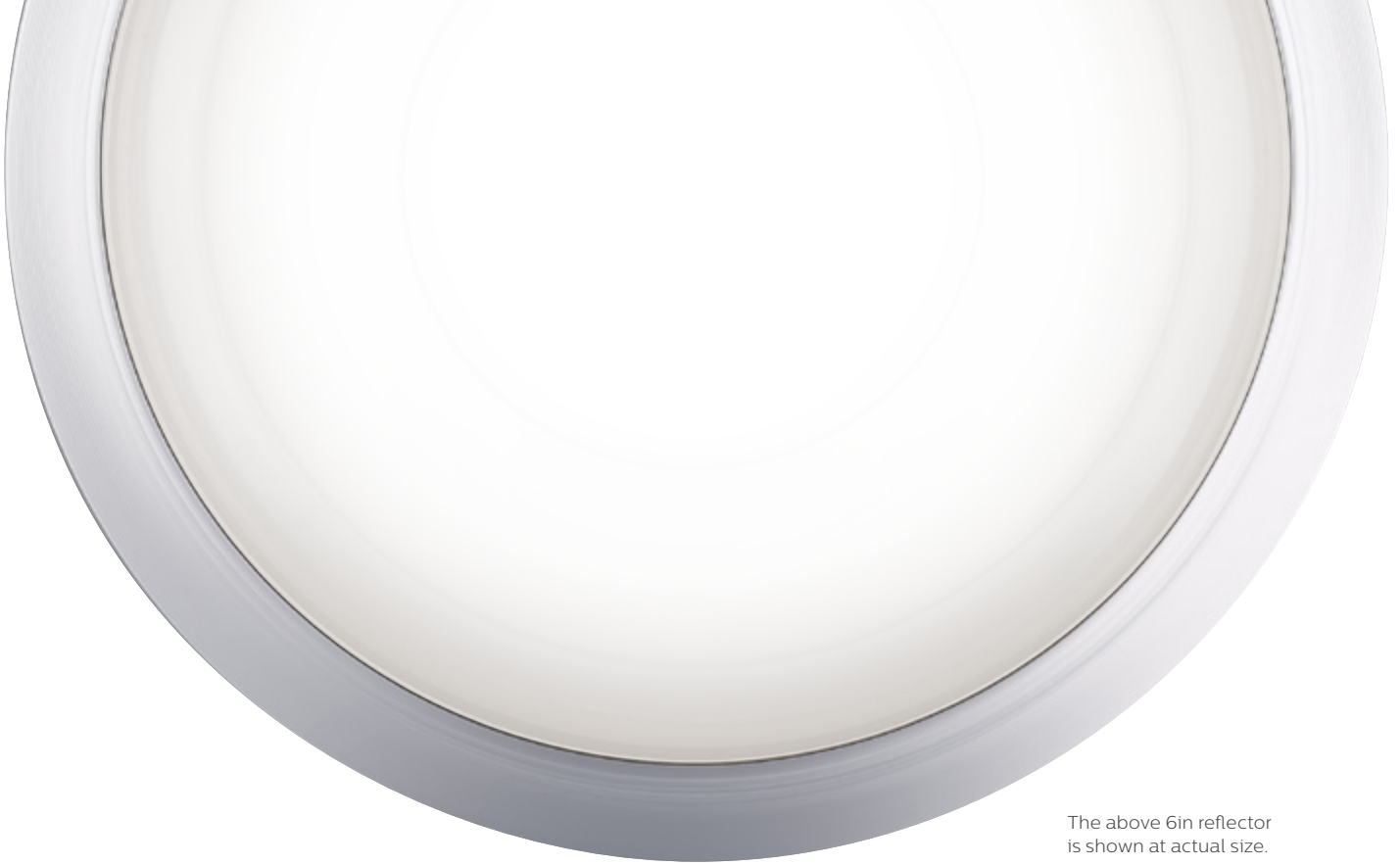
Our forward innovation continues with
Philips Lightolier Calculite LED generation 3
round and square aperture downlights.

The above 6in reflector
is shown at actual size.





Calculite LED generation 3
Round 6in aperture wide beam downlights and 4in aperture wide beam open wall wash



The above 6in reflector is shown at actual size.

Maximize visual appeal

When it comes to showcasing your craftsmanship, quality is more important than quantity. We feel the same way. That's why our Calculite LED downlights focus on three beam spreads (narrow, medium, wide) with the right distribution and light output. This creates more uniform light with fewer downlights and smaller apertures, without worrying about glare or distractions. The industry leading lumen maintenance (L90 at 60,000 hours) of Calculite LED also eliminates the need to compensate for lamp depreciation by maintaining light levels and color constituency (2SDCM) in a space over a longer time.



There's nothing
to inhibit your
creative vision,
so you can consistently
deliver an elegant impact.

Calculite LED generation 3
Square 4in aperture flangeless narrow beam downlights



The above 6in reflector is shown at actual size.

Maximize user comfort

Calculite LED downlights provide beautiful subtlety along with robust performance. A patent-pending component design eliminates the distracting imperfections found in lesser quality downlights, such as hotspots and dark rings. The Calculite family of luminaires offer comfortable, uniform light, achieving uncompromising illumination with a true 50° physical and 45° reflected cutoff. Calculite's soft beam transitions provide flawless consistency in a space, allowing higher lumen options in smaller apertures, with no increase in perceived brightness.

Different degrees of cutoff angles



Quiet zone

No visible elements:
lens, clips, rivets, rings
or other hardware

Transition zone

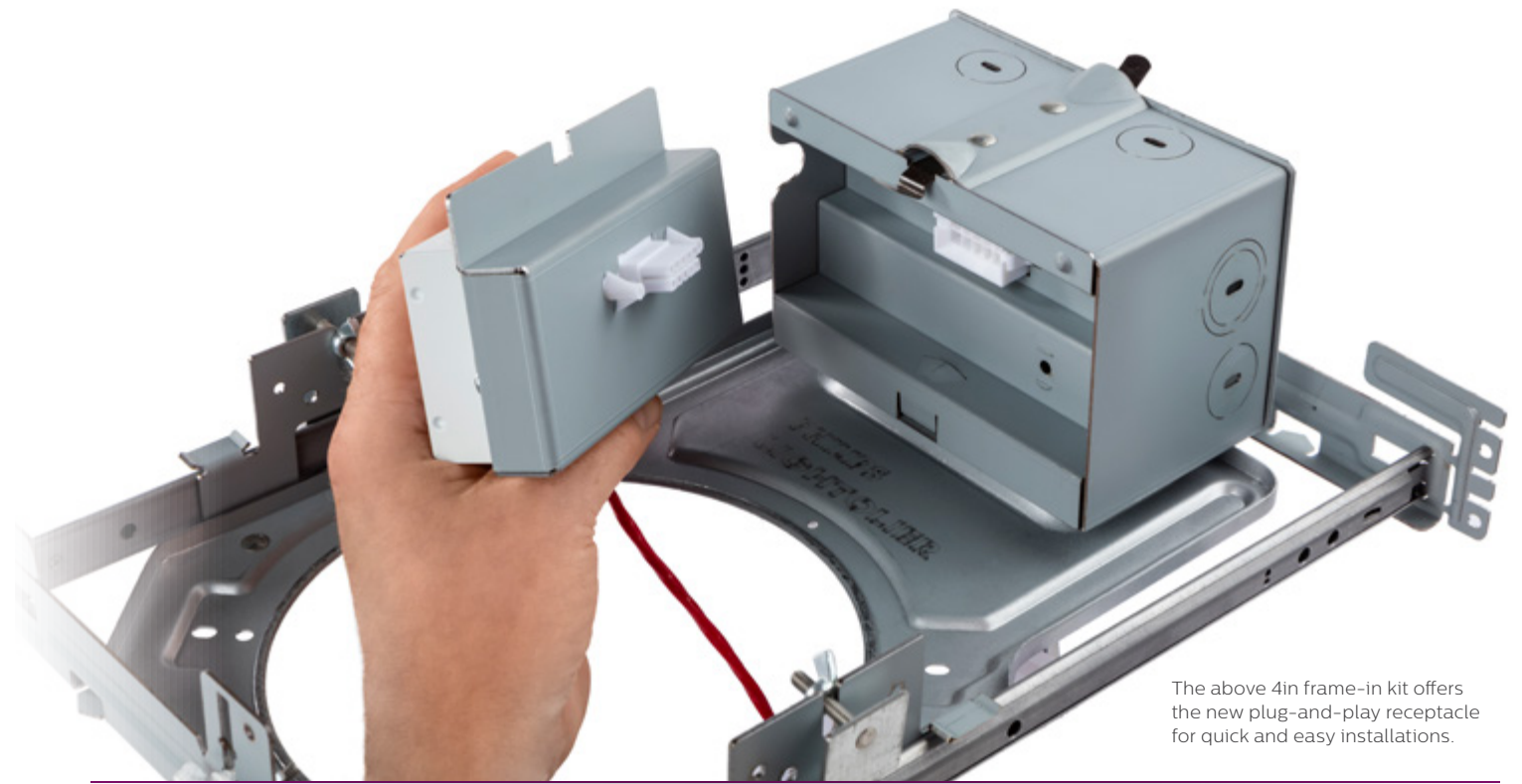
50° Direct View Cut Off

Bright zone

45° Reflected View Cut Off

Philips Lightolier measures true downlight cutoff angles at the downlight's widest bright point to ensure maximum luminaire efficacy and comfort for those in the space. Cutoff angles are not always what they seem, which can affect your overall design and comfort. Sub-standard manufacturers measure to the light source, which reduces performance levels and creates uncomfortable glare.

The new 3000lm 4" downlight provides an appearance that is no brighter than Calculite's previous 1500lm generation.



The above 4in frame-in kit offers the new plug-and-play receptacle for quick and easy installations.

Maximize installation efficiency

Philips Lightolier extends downlight excellence through a simplified installation process, with no requirements for specialized tools for installation. The Calculite LED unique three-part system of frame, driver/light engine, and reflector (multiple patents pending) allows you to get the installation started sooner while providing highly configurable solutions to showcase your unique lighting vision.

Lighting vision

With a fully upgradable architecture, Calculite LED modular downlights may be conveniently serviced and upgraded at any time without having to access the ceiling.



1. Reflector installs into ceiling with no difficulty using long leaf springs.
2. Built-in adjustable mounting feature allows installation into thick ceilings with no additional accessories.
3. Can handle a ceiling thickness of up to 2" for 4in apertures and 2-3/4" for 6in & 7in apertures.

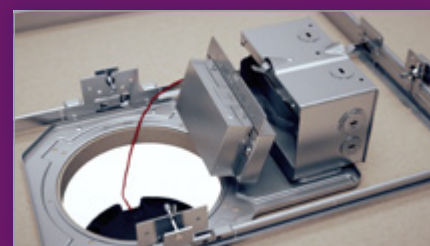
Quick, easy, tool-free install*



Quick and tool-less installation into T-Grid.



Quick and tool-less installation into hat channel.



Easy plug and play connection from driver to J-box.



Built-in adjustable mounting springs.



Unitized optic system of Light engine and reflector.



Reflector installs into ceiling.

* Please read warnings, cautions and installation instructions provided with the product before attempting installation.



Downlighting
.....
Calculite LED gen 3
.....
Introduction
.....



Calculite LED generation 3
Round 4in aperture medium beam downlights and 6in aperture wide beam cylinders

Reflectors and Light Engines

Calculite LED generation 3



A silicone lens assists in diffusing both larger LED arrays and chip-on-board (COB) configurations.



Calculite LED fixtures feature both LED arrays for medium and wide beam spreads as well as single COB technology for narrow beam distributions.

Superior performance

Calculite's 2-step or 2 SDCM rating provides uniformity from fixture to fixture, and over the 60,000 hour rated L90 lifetime, with no visible shifts. This is a criteria one must consider for maintenance consistency that affects the look and feel of the space over the lifetime of the installation.

With Calculite LED generation 3, specifying uniform light & color consistency is achieved by leveraging Philips technology advancements. For medium and wide beam distributions a large array of mid-flux chips is used to provide long lifetime lumen maintenance and a comfortable beam for general light while for narrow beams, a chip-on-board (COB) provides a tighter more defined beam for high ceiling applications. The combination of technologies allows designers to create the right layers of light to properly enhance a space per the design intent.

Recognized as
the market-leading
downlight
solution

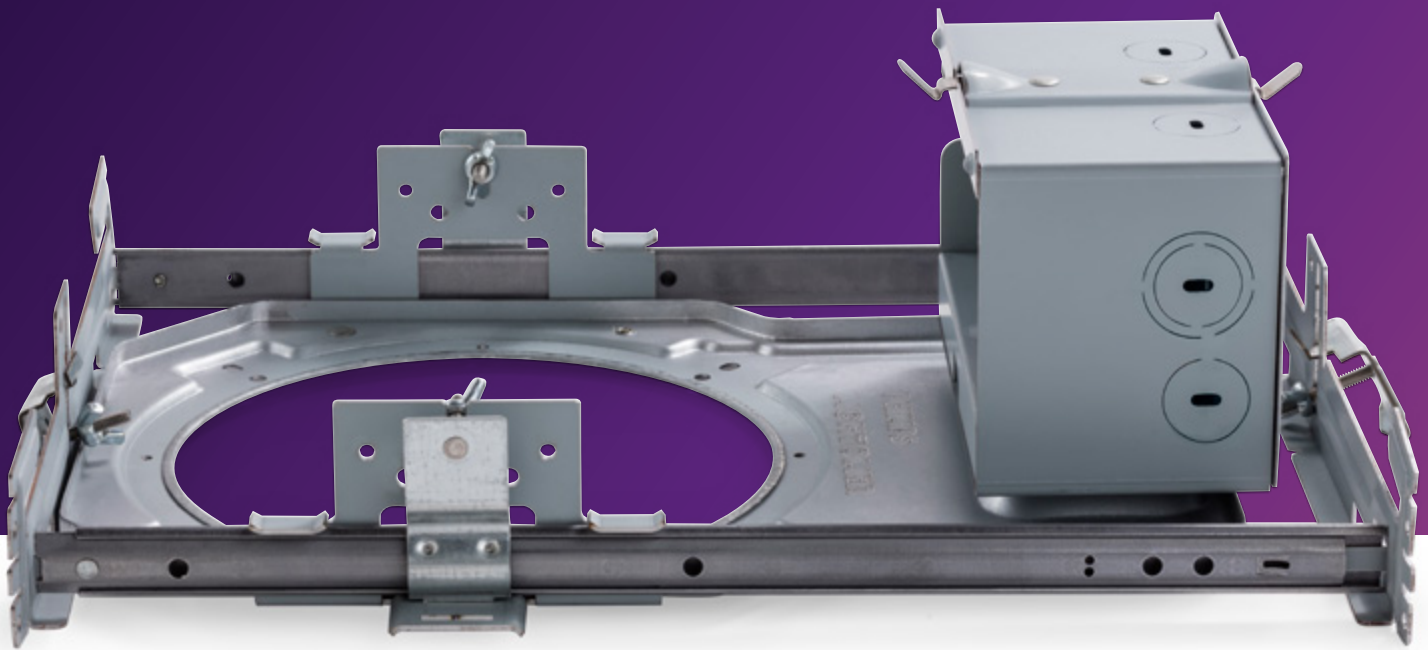
Calculite LED generation 3
achieves life ratings of up to

L90 (90% lumen maintenance)
60,000 hours

and efficacies
as high as 115 lm/w

Frames

Calculite LED generation 3



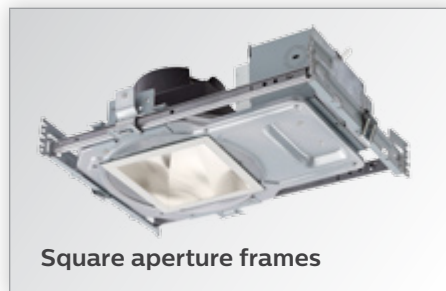
Versatile frames

Calculite LED downlight frames are designed with quick connect technology enabling two future proof values. First, your lighting system is ensured to last the life of the building through easy replacement of the electronic components at end of life while minimizing waste of materials and cost of labor. Secondly, your building is provided with a connection point enabling easy integration of any new lighting technologies and systems.



Round aperture frames

The 4" 6" and 7" apertures are available with Calculite's anodized finishes featuring white and polished flanges. Each aperture is available with narrow, medium and wide flood distributions and open single, double, corner or lensed wall washers.



Square aperture frames

The 4" and 6" square apertures are made with Alanod® formed panels providing the required distribution for smooth, even illumination and comfortable appearance in the ceiling. They are available in finishes to match our most popular anodized round reflectors, and offer narrow, medium, wide flood and lensed wall wash distributions.



IC frames

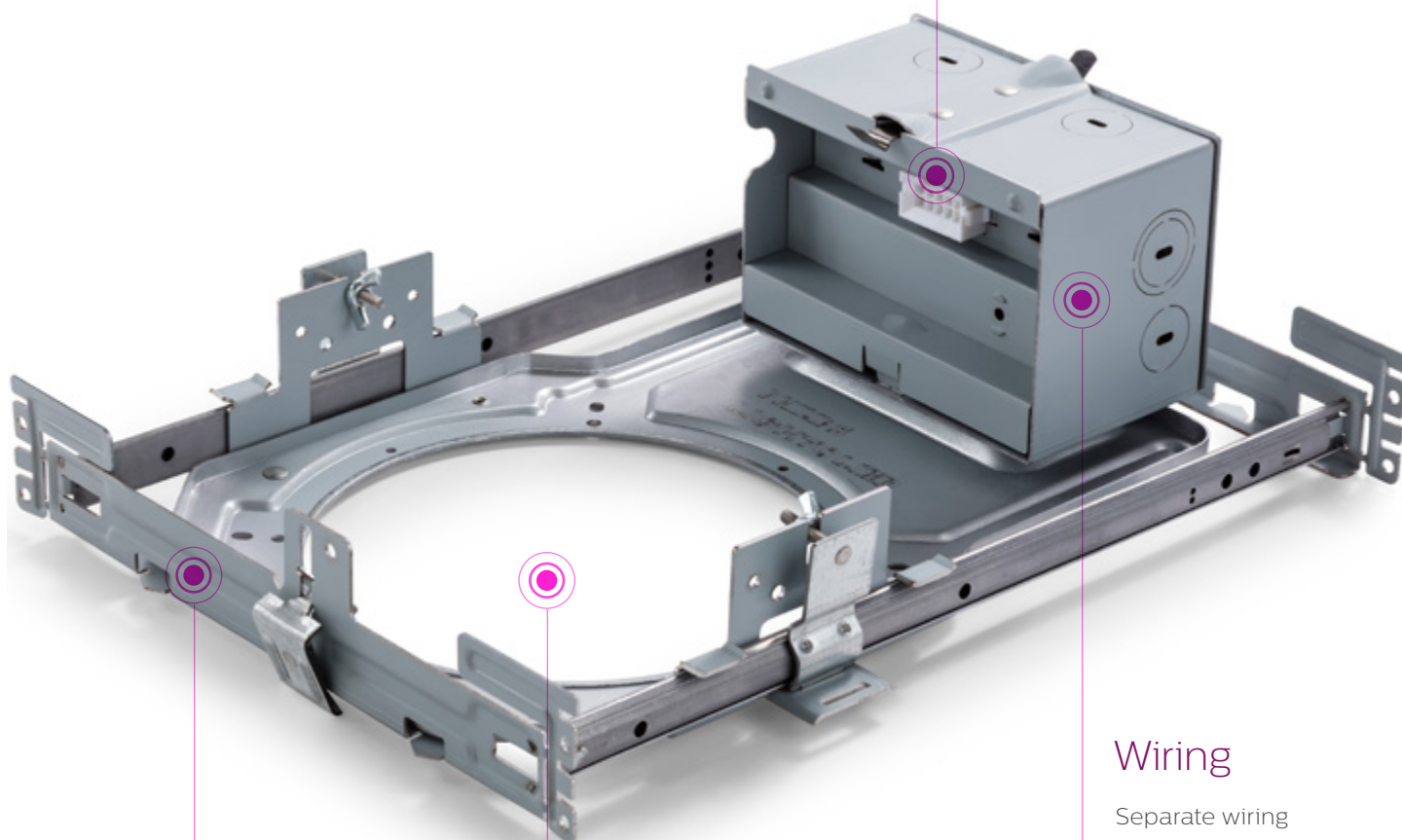
Now available for insulated ceiling applications in 4" and 6" round and square apertures with all the same installation features as the Non-IC version. The insulated ceiling frame is compatible with all driver options up to 2000lm in the 4" aperture and 3500lm in the 6" aperture.

Quick-install frames

The universal frame is free from drivers and thermal protectors allowing it to accommodate any lumen package, driver type, input voltage, CCT and distribution. This provides installation ease and flexibility in forecasting as project needs evolve or unexpected changes arise.

Connector

Easy install blind mate connector ensures a secure connection to the driver. The plug-and-play receptacle accommodates technology upgrade light engines and replacements for the life of the building.



Installation

Tool-less installation into hat channel ceilings in less than 60 seconds.

Aperture

Close-cut aperture design eliminates an undesired gap between ceiling material and reflector.

Wiring

Separate wiring compartment for wiring frame to building allows inspection prior to light engine installation.



Dimming and Controls solutions

Calculite LED generation 3




Factory configured 'Electrical Connection' enables easy controls integration and maintenance.

Modular design

From a simple standalone dimming down to 1% to a full network solution, users have a wide array of options, with technologies and capabilities by Calculite LED generation 3. The choice today may not be the desired choice for the future therefore the modular design allows easy control system upgradability.

Controls solutions from basic to advance connected networks:

- Standard 0-10V delivers smooth dimming down to 1%.
- ELV dimmable with no additional wiring.
- Dali for dimming and addressability systems.
- Tunable white (2700K to 6500K) impacts the appeal of the space by changing color temperatures*.
- PoE and SpaceWise networking systems for low cost integration of energy efficiency and data management.



Comfortable

0-10V delivers smooth dimming down to 1%.




Compatible

ELV dimmable with no additional wiring.



Configurable

Dali for dimming and addressability systems.



Commendable

Powered with tunable white technology, Power over Ethernet (PoE), and SpaceWise controls.*

* Consult with factory for availability.

4" luminaires

Calculite LED generation 3



Round 4in aperture
Downlight trim
Narrow beam



Round 4in aperture
Downlight trim
Medium beam



Round 4in aperture
Downlight trim
Wide beam



Round 4in aperture
Open wall wash trim



Round 4in aperture
Double wall wash trim



Round 4in aperture
Corner wall wash trim



Round 4in aperture
Lensed wall wash trim



Square 4in aperture
Downlight trim
Narrow/Medium beam



Square 4in aperture
Downlight trim
Wide beam



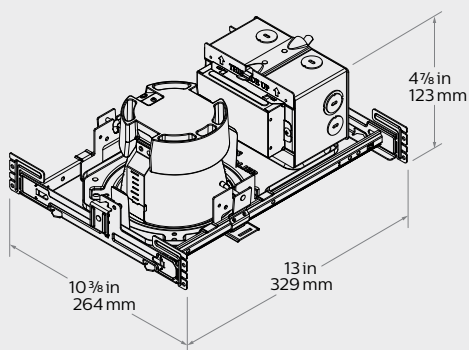
Square 4in aperture
Lensed wall wash trim

Built-in adjustable mounting springs allow for installation into thick ceilings with no additional accessories

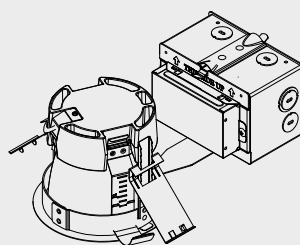
Springs can handle ceilings up to 2" deep.

Reflector installs into ceiling without difficult long torsion springs or aggressive springs.

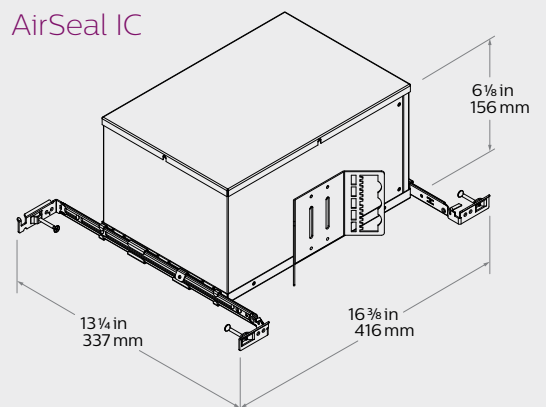
New Construction



Remodeler



AirSeal IC



Ordering guide

A + B + C + D (optional) + E (optional) = complete unit.

Refer to footnotes at the bottom of the page for configuration restrictions.

A

Frame

example: C4RN

Series	Apertures	Installations	Voltages / Options
C4			
C4 Calculite LED 4 inch aperture	R Round S Square	N New construction ¹ R Remodeler	— Universal 120/277V (specify for Power Over Ethernet configurations) 3 347V (not compatible with ELV dimming or Lensed Wall Wash over 2500lm) EM Emergency ^{1,2} LC Chicago Plenum ¹
		A AirSeal IC ³	— Universal 120/277V

B

Engine

example: C4L15835NZ10U

Series	Lumens	CRIs	CCTs	Beams	Dimmings	Voltages
C4L						
C4L Calculite LED 4 inch aperture	05 500lm ⁴ 10 1000lm 15 1500lm 20 2000lm ⁵ 25 2500lm ⁵ 30 3000lm ⁵	8 80 CRI 9 90 CRI	27 2700 K 30 3000 K 35 3500 K 40 4000 K	N Narrow M Medium W Wide	Z10 0-10V 1% ⁴ SOL EldoLED Solo 0-10V 0.1% D Dali L Lutron LDE1 EcoSystem (fade-to-black)	U Universal 120/277/347V
					E ELV (120V dimming only) ⁶	1 Universal 120/277V
					P Power over Ethernet Only compatible with 1000 (10) to 2500 (25) lumen configurations.	E Ethernet 48 V DC

C

Trim

example: C4RDLCPP

Series	Apertures	Styles	Beams	Reflectors	Flanges
C4					
C4 Calculite LED 4 inch aperture	R Round S Square	DL Downlight	— Engine beam (match "N" "M" or "W" above) NM Narrow/Medium W Wide	CL Specular clear CC Comfort clear CD Comfort clear diffuse CZ Champagne bronze BK Black (matte)	— White (matte) P Polished F Flangeless ⁸
	R Round S Square ⁷	WW Open wall wash CW Corner wall wash ⁸ DW Double wall wash ⁸ LW Lensed wall wash ⁷	— Wide (optimal for all wall wash styles)	WH White (matte)	— White (matte) F Flangeless ⁸

D

Vetro

example: D4A04

Series	Sizes	Styles
D		
D Decorative elements	4A 4 inch aperture	01 Round acrylic with aluminum insert 02 Round acrylic 03 Round angled double opal glass 04 Round opal glass 13 Round angled double opal glass within clear glass 14 Round opal glass within clear glass



E

Accessories (Compatible with all open and lensed reflectors)

example: CA4RFT

CA4RFT	4 inch Round Mud-in ring (for use with flangeless round installations)
CA4SFT	4 inch Square Mud-in ring (for use with flangeless square installations)
C4RVPWH	4 inch aperture, Round, Vandal Proof, IP65 rated, matte white (not for use with Squares or Lensed Wall Wash (LW) and mounts onto flangeless trim)
CAEM	Field installable EM pack (not compatible with Power over Ethernet configurations)
AMS	ActiLume multi-sensor (optional accessory for Power Over Ethernet configurations)
SWZDT	SpaceWise wireless controller with dwell time functionality, compatible with all 0-10V configurations (for details see "SWZDT" spec sheet)

- Emergency (EM) and Chicago Plenum (LC) options are only available with New construction (N) installations.
- Emergency (EM) frame comes with emergency battery pack and ceiling mountable test switch. Reflector mounted test switch requires above ceiling access. For reflector mounted test switch, order emergency frame and add "EM" suffix to reflector (ex: C4RDLCCEM).
- AirSeal is only compatible with up to 2000lm (20) configurations (see spec sheets).
- The 500lm (05) option is only compatible with 0-10V (Z10) dimming.
- The 2000lm (20), 2500lm (25), and 3000lm (30) packages have marked spacing (see spec sheets).
- ELV (E) dimming is only compatible with up to 2000lm (20) configurations.
- The Square (S) aperture trim is only available with the Lensed wall wash (LW) style.
- Corner (CW) and Double (DW) wall wash are not available with the Flangeless (F) option.

6" luminaires

Calculite LED generation 3



Round 6in aperture
Downlight trim
Narrow beam



Round 6in aperture
Downlight trim
Medium beam



Round 6in aperture
Downlight trim
Wide beam



Round 6in aperture
Open wall wash trim



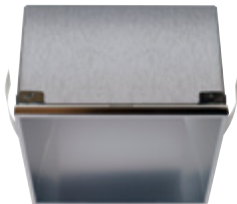
Round 6in aperture
Double wall wash trim



Round 6in aperture
Corner wall wash trim



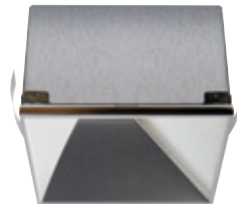
Round 6in aperture
Lensed wall wash trim



Square 6in aperture
Downlight trim
Narrow/Medium beam



Square 6in aperture
Downlight trim
Wide beam



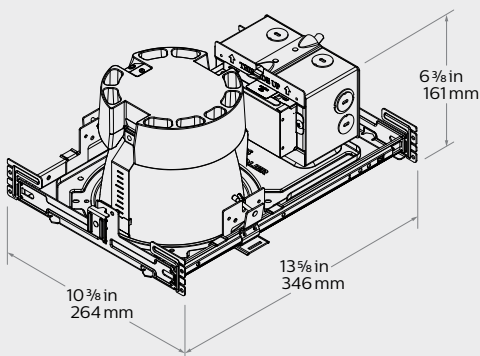
Square 6in aperture
Lensed wall wash trim

Built-in adjustable mounting springs allow for installation into thick ceilings with no additional accessories

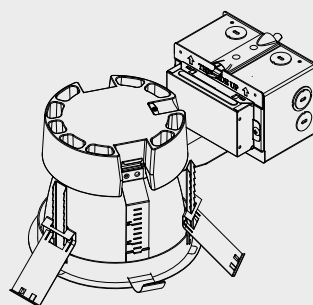
Springs can handle ceilings up to 2³/₄" deep.

Reflector installs into ceiling without difficult long torsion springs or aggressive springs.

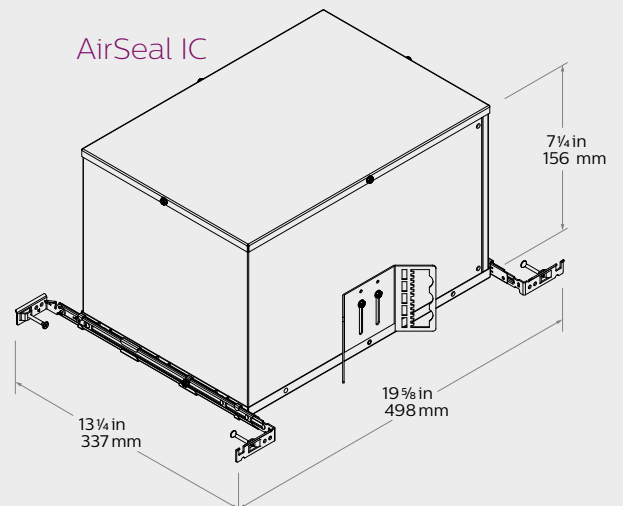
New Construction



Remodeler



AirSeal IC



Ordering guide

A + B + C + D (optional) + E (optional) = complete unit.

Refer to footnotes at the bottom of the page for configuration restrictions.

A

Frame

example: C6RN

Series	Apertures	Installations	Voltages / Options
C6			
C6 Calculite LED 6 inch aperture	R Round S Square	N New construction ¹ R Remodeler	— Universal 120/277V (specify for Power Over Ethernet configurations) 3 347V (not compatible with ELV dimming or Lensed Wall Wash over 2000lm) EM Emergency ^{1,2} LC Chicago Plenum ¹
		A AirSeal IC ³	— Universal 120/277V

B

Engine

example: C6L15835NZ10U

Series	Lumens	CRIs	CCTs	Beams	Dimmings	Voltages
C6L						
C6L Calculite LED 6 inch aperture	10 1000lm 15 1500lm 20 2000lm 25 2500lm 35 3500lm 48 4800lm ⁴ 60 6000lm ⁴	8 80 CRI 9 90 CRI	27 2700 K 30 3000 K 35 3500 K 40 4000 K	N Narrow M Medium W Wide	Z10 0-10V 1% ⁴ SOL EldoLED Solo 0-10V 0.1% D Dali L Lutron LDE1 EcoSystem (fade-to-black)	U Universal 120/277/347V
					E ELV (120V dimming only) ⁵	1 Universal 120/277V
					P Power over Ethernet Only compatible with 1000 (10) to 2500 (25) lumen configurations.	E Ethernet 48 V DC

C

Trim

example: C6RDLCCP

Series	Apertures	Styles	Beams	Reflectors	Flanges
C6					
C6 Calculite LED 6 inch aperture	R Round S Square	DL Downlight	— Engine beam (match "N" "M" or "W" above)	CL Specular clear CC Comfort clear CD Comfort clear diffuse CZ Champagne bronze BK Black (matte)	— White (matte) P Polished F Flangeless ⁷
	R Round S Square ⁶	DL Downlight	NM Narrow/Medium W Wide		F Flangeless ⁷
		WW Open wall wash CW Corner wall wash ⁷ DW Double wall wash ⁷ LW Lensed wall wash ⁶	— Wide (optimal for all wall wash styles)	WH White (matte)	— White (matte) F Flangeless ⁷

D

Vetro

example: D6A04

Series	Sizes	Styles
D		
D Decorative elements	6A 6 inch aperture	01 Round acrylic with aluminum insert 02 Round acrylic 03 Round angled double opal glass 04 Round opal glass 13 Round angled double opal glass within clear glass 14 Round opal glass within clear glass



E

Accessories (Compatible with all open and lensed reflectors)

example: CA6RFT

CA6RFT	6 inch Round Mud-in ring (for use with flangeless round installations)
CA6SFT	6 inch Square Mud-in ring (for use with flangeless square installations)
C6RVPWH	6 inch aperture, Round, Vandal Proof, IP65 rated, matte white (not for use with Squares or Lensed Wall Wash (LW) and mounts onto flangeless trim)
CAEM	Field installable EM pack (not compatible with Power over Ethernet configurations)
AMS	ActiLume multi-sensor (optional accessory for Power Over Ethernet configurations)
SWZDT	SpaceWise wireless controller with dwell time functionality, compatible with all 0-10V configurations (for details see "SWZDT" spec sheet)

- Emergency (EM) and Chicago Plenum (LC) options are only available with New construction (N) installations.
- Emergency (EM) frame comes with emergency battery pack and ceiling mountable test switch. Reflector mounted test switch requires above ceiling access. For reflector mounted test switch, order emergency frame and add "EM" suffix to reflector (ex: C6RDLCCEM).
- AirSeal is only compatible with up to 3500lm (35) configurations (see spec sheets).
- The 4800lm (48) and 6000lm (60) packages are only available with 0-10V (Z10) dimming and have marked spacing requirements (see spec sheets).
- ELV (E) dimming is only compatible with up to 2500lm (25) configurations.
- The Square (S) aperture trim is only available with the Lensed wall wash (LW) style.
- Corner (CW) and Double (DW) wall wash are not available with the Flangeless (F) option.

7" luminaires

Calculite LED generation 3



Round 7in aperture
Downlight trim
Narrow/Medium beam



Round 7in aperture
Downlight trim
Wide beam



Round 7in aperture
Open wall wash trim



Round 7in aperture
Double wall wash trim

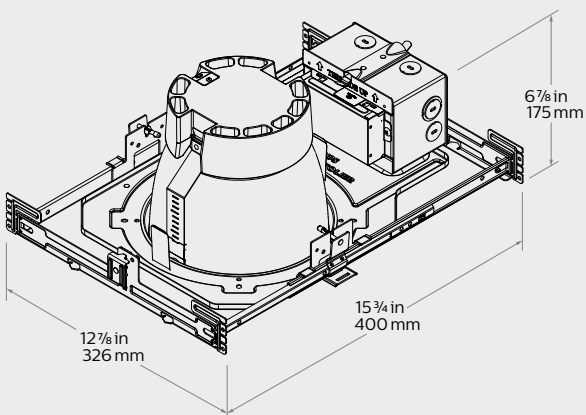


Round 7in aperture
Corner wall wash trim

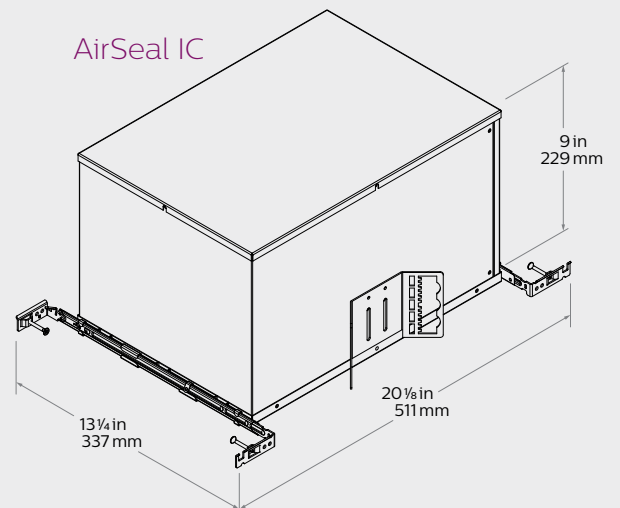


Round 7in aperture
Lensed wall wash trim

New Construction



AirSeal IC



Ordering guide




A + B + C + D (optional) + E (optional) = complete unit.

Refer to footnotes at the bottom of the page for configuration restrictions.

A

Frame







example: C7RN

Series	Apertures	Installations	Voltages / Options
C7			
C7 Calculite LED 7 inch aperture	R Round S Square	N New construction ¹ R Remodeler	— Universal 120/277V (specify for Power Over Ethernet configurations) 3 347V (not compatible with ELV dimming or Lensed Wall Wash over 2000lm) EM Emergency ^{1,2} LC Chicago Plenum ¹

B

Engine






example: C6L15835NZ10U

Series	Lumens	CRIs	CCTs	Beams	Dimmings	Voltages
C6L						
C6L Calculite LED 6 inch aperture	10 1000lm 15 1500lm 20 2000lm 25 2500lm 35 3500lm 48 4800lm ³ 60 6000lm ³	8 80 CRI 9 90 CRI	27 2700 K 30 3000 K 35 3500 K 40 4000 K	N Narrow M Medium W Wide	Z10 0-10V 1% ³ SOL EldoLED Solo 0-10V 0.1% D Dali L Lutron LDE1 EcoSystem (fade-to-black)	U Universal 120/277/347V 1 Universal 120/277V E ELV (120V dimming only) ⁴ P Power over Ethernet Only compatible with 1000 (10) to 2500 (25) lumen configurations. E Ethernet 48V DC

C

Trim



example: C7RDLCPP

Series	Apertures	Styles	Beams	Reflectors	Flanges
C7					
C7 Calculite LED 7 inch aperture	R Round	DL Downlight	NM Narrow/Medium (match above) W Wide (match above)	CL Specular clear CC Comfort clear CD Comfort clear diffuse CZ Champagne bronze BK Black (matte)	— White (matte) P Polished F Flangeless ⁵
	R Round	WW Open wall wash CW Corner wall wash ⁵ DW Double wall wash ⁵ LW Lensed wall wash	— Wide (optimal for all wall wash styles)	WH White (matte)	— White (matte) F Flangeless ⁵

D

Vetro

example: D7A04

Series	Sizes	Styles
D		
D Decorative elements	7A 7 inch aperture	01 Round acrylic with aluminum insert 02 Round acrylic



E

Accessories (Compatible with all open and lensed reflectors)

example: CA7RFT

CA7RFT	7 inch Round Mud-in ring (for use with flangeless round installations)
CAEM	Field installable EM pack (not compatible with Power over Ethernet configurations)
AMS	ActiLume multi-sensor (optional accessory for Power Over Ethernet configurations)
SWZDT	SpaceWise wireless controller with dwell time functionality, compatible with all 0-10V configurations (for details see "SWZDT" spec sheet)

- Emergency (EM) and Chicago Plenum (LC) options are only available with New construction (N) installations.
- Emergency (EM) frame comes with emergency battery pack and ceiling mountable test switch. Reflector mounted test switch requires above ceiling access. For reflector mounted test switch, order emergency frame and add "EM" suffix to reflector (ex: C7RDLCCEM).
- The 4800lm (48) and 6000lm (60) packages are only available with 0-10V (Z10) dimming and have marked spacing requirements (see spec sheets).
- ELV (E) dimming is only compatible with up to 2500lm (25) configurations.
- Corner (CW) and Double (DW) wall wash are not available with the Flangeless (F) option.

4" & 6" cylinders

Calculite LED generation 3



4in round cylinder with
Narrow, Medium, and Wide beam



4in round cylinder with
Open wall wash reflector



6in round cylinder with
Narrow, Medium, and Wide beam



6in round cylinder with
Open wall wash reflector

Classic architectural cylinder

This Classic architectural cylinder matches the lumen and beam offerings of the Calculite LED generation 3 downlight.

(Reflectors: CL, CC, CD, CZ, BK)



Ordering guide

A + B (optional) = complete unit.

Refer to footnotes at the bottom of the page for configuration details and restrictions.

A

Fixture

ex: C4SDL15835MZ10UCCW

Series	Mounts	Styles	Lumens	CRIs	CCTs	Beams	Dimmings	Voltages	Reflectors	Cylinders	
C4	Calculite LED 4 in aperture	S Surface W Wall P Pendant ¹	DL Downlight WW Wall Wash ² DW Double Wall Wash ²	05 500 ³ 10 1000 15 1500 20 2000 25 2500 30 3000	8 80 9 90	27 2700K 30 3000K 35 3500K 40 4000K	N Narrow M Medium W Wide ²	Z10 0-10V 1% SOL EldoLED Solo 0-10 V 0.1% ELV ELV ^{3,4} 1 Unv 120/277V (120V only dimming)	U Unv 120/277V	CL Specular clear CC Comfort clear BK Black (matte) CD Comfort clear diffuse CZ Champagne bronze	W White (matte) B Black (matte) A Aluminum
C6	Calculite LED 6 in aperture	S Surface W Wall P Pendant ¹	DL Downlight WW Wall Wash ² DW Double Wall Wash ²	10 1000 15 1500 20 2000 25 2500 35 3500 48 4800 ³ 60 6000 ³	8 80 9 90	27 2700K 30 3000K 35 3500K 40 4000K	N Narrow M Medium W Wide ²	Z10 0-10V 1% SOL EldoLED Solo 0-10 V 0.1% D Dali ⁵ L Lutron LDEI EcoSystem (fade-to-black) ELV ELV ⁴ 1 Unv 120/277V (120V only dimming)	U Unv 120/277V	CL Specular clear CC Comfort clear BK Black (matte) CD Comfort clear diffuse CZ Champagne bronze	W White (matte) B Black (matte) A Aluminum

B

Accessories

ex: CASK36BK

Series	Mounts	Length	Cylinders	
CA	Calculite accessory	SK Surface kit CK Cable kit ⁷	36 36 inch 10 120 inch	WH White (matte) BK Black (matte) AL Aluminum ⁹

- Pendant (P) option needs to be ordered with accessory.
- Wall Wash (WW) and Double Wall Wash (DW) are only available with Wide (W) beam.
- EldoLED Solo (SOL) and ELV (ELV) dimming are not compatible with 500lm (05) 4 inch configurations.
- ELV (ELV) dimming is only available in up to 2000lm (20) 4 inch and 2500lm (25) 6 inch configurations.
- Lutron (L), Dali (D), and EldoLED Solo (SOL) are only available up to 3500lm (35) 6 inch configurations.
- Cable kit is not available in the Aluminum (AL) finish.



Downlighting
.....
Calculite LED gen 3
.....
4in & 6in aperture
luminaire
.....

Calculite LED generation 3
Round 6in aperture medium beam cylinders and downlights

Finishes

Calculite LED generation 3

Reflector



CL Specular clear

Most specular and therefore most efficient finish, delivers maximum photometric performance but can produce a mirror image effect of the interior space.



CC Comfort clear

Semi-specular finish that softens the light at the source of the reflector and creates a subtle, even luminance from the reflector cone.



CD Comfort clear diffuse

Slightly diffuse clear finish, which eliminates iridescence and reduces the mirror image effect inherent with specular finishes.



CZ Champagne bronze

Semi-specular finish that softens the light at the source of the reflector while providing a warmer reflector appearance (light output is slightly warmer).



WH White (matte)

Brightest aperture when illuminated and provides the smoothest transition to most ceilings when off (white is only available with a white flange).



BK Black (matte)

Specular finish that provides the lowest aperture brightness possible and significantly reduces source identification in a ceiling.

Flange



W White (matte)

Provides the smoothest transition to ceilings when off.



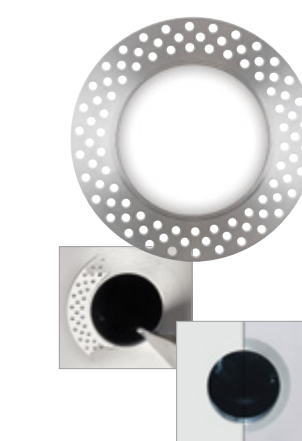
P Polished (matches aperture)

Produces a continuous look throughout the reflector (aperture matching).



F Flangeless (flush-mount)

Creates a flush, virtually seamless transition from aperture to ceiling.



FT Flangeless Mud-in Ring

Low profile, machined aluminum mud-in ring provides a raised rib to plaster up to and a 3/16" flange thickness. The ring is attached to the ceiling material as opposed to the frame-in kit to avoid conduction of heat and vibration which can cause yellowing or cracking of the plaster.

After installing the frame, a mud-in ring is inserted into the ceiling opening, the flange is plastered over, feathered, sanded and finished. The end result is a clean inconspicuous appearance with a flush, virtually seamless transition from aperture to ceiling.



VP Vandal Proof

Available for 4" and 6" round apertures. Provides an elegant solution for vandal resistant needs. One piece machined aluminum ring with impact resistant clear lens. Flangeless (F) flange must be ordered. Provides the luminaire with an IK10 impact and IP65 rating.

Note: Not all finishes are available for all trims. Refer to specification sheet for availability. When handling reflectors, use clean white or plastic film gloves to avoid fingerprints. Specular surfaces can be cleaned by the following methods: Wipe off with soft clean, dry lint-free cloth; or wipe off with a soft cloth dampened in mild detergent solution, rinse, then wipe dry with lint-free cloth or paper towel; or wipe off with clean cloth dampened with a solution of wetting agent and water (such as 2 oz. per gallon "Pluronic L62-LF" by Wynandotte Products or liquid such as Glass Wax®) then wipe dry with a lint-free cloth or paper towel. Avoid gritty cleaning agents.

Vetro decorative elements

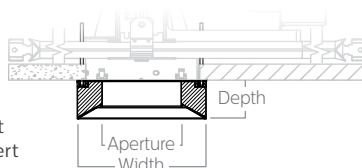
Calculite LED generation 3

A definitive design statement utilizing balance and proportions. With uncompromising style and the look of clean, spare elegance, Vetro decorative glass elements open a world of creative potential. Designed for stand-out style or a reserved minimal look, these elements offer unlimited scope for a broad variety of applications – all within the same design family.

D01 series



Round acrylic decorative element with aluminum insert

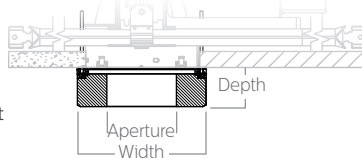


Cat. No.	Size	Aperture	Width	Depth
D4A01	4"	3 3/4" (95mm)	6" (152mm)	1 3/4" (44mm)
D6A01	6"	4 5/8" (117mm)	7 1/2" (191mm)	1 7/8" (48mm)
D7A01	7"	5 1/2" (140mm)	9" (229mm)	2" (51mm)

D02 series



Round acrylic decorative element

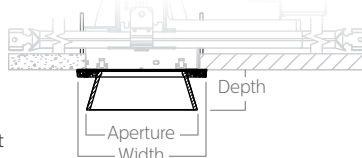


Cat. No.	Size	Aperture	Width	Depth
D4A02	4"	3 1/2" (89mm)	6" (152mm)	1 3/4" (44mm)
D6A02	6"	4" (102mm)	7 1/2" (191mm)	1 7/8" (48mm)
D7A02	7"	4 7/8" (124mm)	9" (229mm)	2" (51mm)

D03 series



Round angled double opal glass decorative element

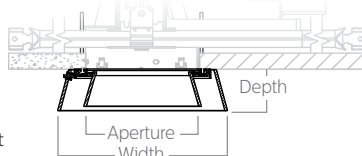


Cat. No.	Size	Aperture	Width	Depth
D4A03	4"	5 1/8" (130mm)	6 1/4" (159mm)	2" (51mm)
D6A03	6"	6 5/8" (168mm)	7 3/4" (197mm)	2 1/8" (54mm)

D13 series



Round angled double opal glass decorative element within clear glass

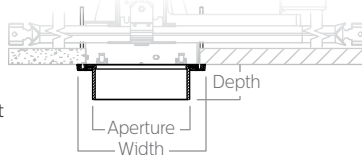


Cat. No.	Size	Aperture	Width	Depth
D4A13	4"	5 1/8" (130mm)	8 1/2" (216mm)	2 1/4" (57mm)
D6A13	6"	6 5/8" (168mm)	10" (254mm)	2 1/8" (54mm)

D04 series



Round opal glass decorative element

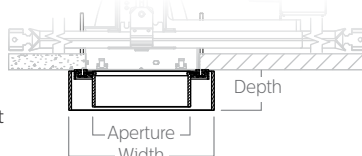


Cat. No.	Size	Aperture	Width	Depth
D4A04	4"	4 1/8" (105mm)	6 1/4" (159mm)	2" (51mm)
D6A04	6"	5 1/2" (140mm)	7 3/4" (197mm)	2 1/8" (54mm)

D14 series



Round opal glass decorative element within clear glass



Cat. No.	Size	Aperture	Width	Depth
D4A14	4"	4 1/8" (105mm)	7 1/4" (184mm)	2 1/4" (57mm)
D6A14	6"	5 1/2" (140mm)	8 5/8" (219mm)	2 3/8" (60mm)

Note: A flangeless reflector is required for installation of the decorative glass elements. For the best visual effect, pair with the Calculite Clear (CL) reflector finish.



Seeing is believing

Rely on the expertise of Philips Lightolier, and outstanding quality of Calculite LED generation 3 downlights, to help you and your design make a great impact. Contact us for a personal demonstration of the fast and easy three-part modular system and see the difference that Calculite LED's soft, soothing cone of illumination can make in your project. Or, visit our website at www.philips.com/CalculiteLED for more information.

Downlights

Lumens	1 3/4"					3"			4"			6"			7"			1x1"			4x4"			6x6"		
	very narrow to medium beams																	very narrow to medium beams								
	12° 17° 25° 38° 47°					N M W			N M W			N M W			N M W			12° 17° 25° 38° 47°			N M W			N M W		
400	● ● ● ● ●																	■ ■ ■ ■ ■								
500						● ● ●			● ● ●			● ● ●			● ● ●						■ ■ ■ ■ ■			■ ■ ■ ■ ■		
1000						● ● ●			● ● ●			● ● ●			● ● ●						■ ■ ■ ■ ■			■ ■ ■ ■ ■		
1500						● ● ●			● ● ●			● ● ●			● ● ●						■ ■ ■ ■ ■			■ ■ ■ ■ ■		
2000						● ● ●			● ● ●			● ● ●			● ● ●						■ ■ ■ ■ ■			■ ■ ■ ■ ■		
2500						● ● ●			● ● ●			● ● ●			● ● ●						■ ■ ■ ■ ■			■ ■ ■ ■ ■		
3000						● ● ●			● ● ●			● ● ●			● ● ●						■ ■ ■ ■ ■			■ ■ ■ ■ ■		
3500						● ● ●			● ● ●			● ● ●			● ● ●						■ ■ ■ ■ ■			■ ■ ■ ■ ■		
4800						● ● ●			● ● ●			● ● ●			● ● ●						■ ■ ■ ■ ■			■ ■ ■ ■ ■		
6000						● ● ●			● ● ●			● ● ●			● ● ●						■ ■ ■ ■ ■			■ ■ ■ ■ ■		

Adjustable Accents

Lumens	3"					4"				
	12° 16° 19° 26° 40°					11° 17° 22° 29°				
	N M W					N M W				
400	● ● ● ● ●									
500						● ● ● ● ●				
1000	● ● ● ● ●									
1500						● ● ● ● ●				
2000						● ● ● ● ●				
2500						● ● ● ● ●				
3000						● ● ● ● ●				
3500						● ● ● ● ●				
4800						● ● ● ● ●				
6000						● ● ● ● ●				

Wall Washers

Lumens	1 3/4"		3"		4"			6"			7"			4x4"		6x6"	
	LW		LW		LW WW DW CW			LW WW DW CW			LW WW DW CW			LW		LW	
	400	●															
500			●		● ● ● ● ●			● ● ● ● ●			● ● ● ● ●			■		■	
1000			●		● ● ● ● ●			● ● ● ● ●			● ● ● ● ●			■		■	
1500					● ● ● ● ●			● ● ● ● ●			● ● ● ● ●			■		■	
2000					● ● ● ● ●			● ● ● ● ●			● ● ● ● ●			■		■	
2500					● ● ● ● ●			● ● ● ● ●			● ● ● ● ●			■		■	
3000					● ● ● ● ●			● ● ● ● ●			● ● ● ● ●			■		■	
3500					● ● ● ● ●			● ● ● ● ●			● ● ● ● ●			■		■	
4800					● ● ● ● ●			● ● ● ● ●			● ● ● ● ●			■		■	
6000					● ● ● ● ●			● ● ● ● ●			● ● ● ● ●			■		■	

Cylinders

Lumens	4"			6"			4"			6"		
	N M W			N M W			WW			WW		
	400	● ● ●			● ● ●			● ● ●			● ● ●	
500	● ● ●			● ● ●			● ● ●			● ● ●		
1000	● ● ●			● ● ●			● ● ●			● ● ●		
1500	● ● ●			● ● ●			● ● ●			● ● ●		
2000	● ● ●			● ● ●			● ● ●			● ● ●		
2500	● ● ●			● ● ●			● ● ●			● ● ●		
3000	● ● ●			● ● ●			● ● ●			● ● ●		
3500	● ● ●			● ● ●			● ● ●			● ● ●		
4800	● ● ●			● ● ●			● ● ●			● ● ●		
6000	● ● ●			● ● ●			● ● ●			● ● ●		

N = Narrow beam M = Medium beam W = Wide beam LW = Lensed Wall Wash WW = Wall Wash DW = Double Wall Wash CW = Corner Wall Wash

Note: Refer to specification sheets for downlight beam spread angles, wet locations and ENERGY STAR® configurations. The 7in downlight offers up to five beam spread options (please refer to 7in downlight specification sheet for details).



The ProLuminaire Mobile App



ProLuminaire

Find out more at philips.com/ProLuminaireApp

The ProLuminaire Mobile App provides users with...

- The entire professional luminaire and controls portfolio.
- iOS and Android versions for phone and tablets.
- A variety of fast ways to search for your product: by product type, brand, product name, product family code, and more.
- Mobile access to professional lighting solutions, on the go.
- Media resources center to view product videos, brochures or presentations.
- Product and application image galleries.
- Quick downloads and information sharing, including product literature such as spec sheets and installation documents.



© 2017 Philips Lighting Holding B.V. All rights reserved. Philips reserves the right to make changes in specifications and/or to discontinue any product at any time without notice or obligation and will not be liable for any consequences resulting from the use of this publication.

PLI-1642BR 06/17 www.philips.com/CalculiteLED

Philips Lighting
North America Corporation
200 Franklin Square Drive
Somerset, NJ 08873
Tel. 855-486-2216

Philips Lighting Canada Ltd.
281 Hillmount Rd.
Markham, ON,
Canada L6C 2S3
Tel. 800-668-9008