



Upgraded energy-saving

Emergency lighting transfer device

The Bodine GTDU is an upgraded generator transfer device which features a dual Listing to UL 1008 (transfer switch) and UL 924 (bypass switch). It offers the smallest form factor for a UL 1008 device, 0-10V dimming control override, while reducing AC line current and power consumption.

The GTDU senses the loss of normal AC power and bypasses the local switch device enabling emergency power directly to the luminaire/fixture regardless of how the switch is positioned.

Key upgraded features

- Dual listed to UL 1008 (transfer switch) and UL 924 (switch bypass)
- 0-10V dimming control override capable
- Reduced AC line current and power consumption
- Universal input 120-277 VAC, 50/60 Hz
- 24VDC fire alarm override capable



Product order number: GTDUM
12NC number: 913702479201



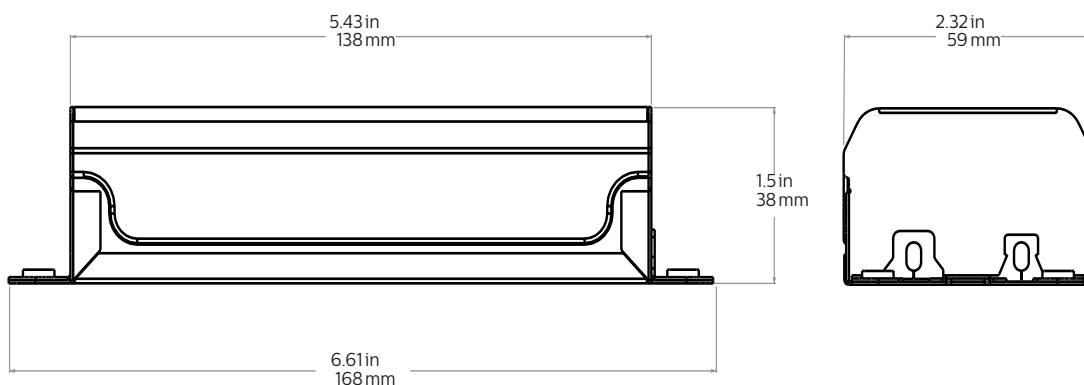
GTDU Generator Transfer Device

Benefits

- Allows ON/OFF switching of generator or central inverter supplied emergency lighting
- Can be used with incandescent, fluorescent or LED lighting loads and provide full light output when in normal mode
- Suitable for indoor or damp locations and plenum rated luminaires/enclosures
- 2A electronic ballast/driver rating
- No batteries required
- Meets or exceeds Light Safety Code requirements
- Full 5-year (NOT pro-rata) warranty from date of purchase

Dimensions

6.61" x 2.32" x 1.50" (mounting center - 5.98")



Specifications

| | |
|-------------------------------------|--|
| UL Listed | UL 924 & UL 1008 Listed for use as a Switch Bypass or Branch Circuit Emergency Lighting Transfer Switch (BCELTS) factory or installation |
| Full Warranty | Full 5-year (NOT pro-rata) warranty from date of purchase |
| Universal Input Voltage | 120-277 VAC, 50/60 Hz |
| AC Input Current | 30 mA |
| AC Input Power Rating | 2.3 Watts |
| Switched Load Rating | Up to 277 VAC at a maximum load current of 2 amps |
| Temperature Rating (ambient) | -20°C to +65°C (-4°F to 149°F) |
| Dimensions | 6.61" x 2.32" x 1.50" (168 x 59 x 38 mm) with Mounting Center 5.98" (152 mm) |
| Weight | 1.00 lbs. (0.45 kg) |

The information presented in this document is not intended as any commercial offer and does not form part of any quotation or contract.

