

PHILIPS

CoralCare
LED Fixture

Gen2



SAFETY INSTRUCTIONS

&

USER MANUAL

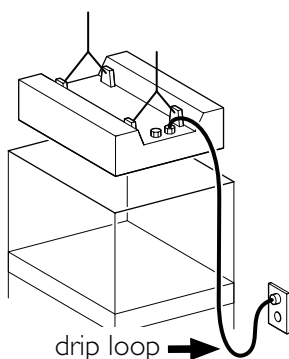
IMPORTANT SAFETY INSTRUCTIONS

WARNING - To guard against injury, basic safety precautions should be observed, including the following:

READ AND FOLLOW ALL SAFETY INSTRUCTIONS

DANGER - To avoid possible electric shock, special care should be taken since water is employed in the use of aquarium equipment. For each of the following situations, do not attempt repairs by yourself; return the appliance to an authorized service facility for service or discard the appliance:

- 1) If the appliance falls into the water, **DON'T** reach for it! First unplug it and then retrieve it. If electrical components of the appliance get wet, unplug the appliance immediately. (Non-immersible equipment only)
- 2) Carefully examine the appliance after installation. It should not be plugged in if there is water on parts not intended to be wet.
- 3) Do not operate any appliance if it has a damaged cord or plug, or if it is malfunctioning or has been dropped or damaged in any manner.
- 4) To avoid the possibility of the appliance plug or receptacle getting wet, position aquarium stand and tank to one side of a wall-mounted receptacle to prevent water from dripping onto the receptacle or plug. A "drip loop," shown in the figure below, should be arranged by the user for each cord connecting an aquarium appliance to a receptacle. The "drip loop" is that part of the cord below the level of the receptacle, or the connector if an extension cord is used, to prevent water traveling along the cord and coming in contact with the receptacle.



If the plug or receptacle does get wet, **DON'T** unplug the cord. Disconnect the fuse or circuit breaker that supplies power to the appliance. Then, unplug and examine for presence of water in the receptacle.

Close supervision is necessary when any appliance is used by or near children.

To avoid injury, do not contact moving parts or hot parts such as heaters, reflectors, lamp bulbs, and the like.

Always unplug an appliance from an outlet when not in use, before putting on or taking off parts, and before cleaning. Never yank cord to pull plug from outlet. Grasp the plug and pull to disconnect.

Do not use an appliance for other than intended use. The use of attachments not recommended or sold by the appliance manufacturer may cause an unsafe condition.

Do not install or store the appliance where it will be exposed to the weather or to temperatures below freezing.

Make sure an appliance mounted on a tank is securely installed before operating it.


Read and observe all the important notices on the appliance.

If an extension cord is necessary, a cord with a proper rating should be used. A cord rated for less amperes or watts than the appliance rating may overheat. Care should be taken to arrange the cord so that it will not be tripped over or pulled.

If the controller falls into the water, DON'T reach for it! First unplug it and then retrieve it. If electrical components of the controller get wet, unplug the controller immediately.

USB plug used with CoralCare Controller Gen2 shall be connected to Listed/Certified Information Technology (Computer) Equipment or Listed Power Supply that is provided with the appliance.

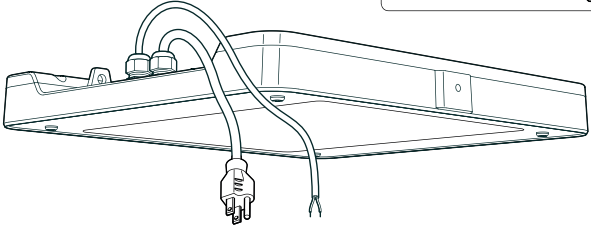
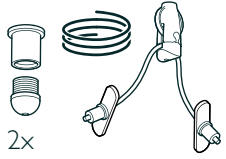
In order to reduce the risk of a controller falling into an aquarium tank, the controller shall be mounted on a wall. See instruction manual provided with the CoralCare Controller Gen2.

- This luminaire should only be installed indoors. For household use only.
- Suitable for damp locations.
- The luminaire is only suitable for fixing to the ceiling.
- The luminaire has a ground conductor identified with green insulation or bare copper wire.
- The luminaire is dimmable with the supplied dimmer ONLY. Do not connect to an additional dimmer.
- Luminaire with time and light setting options.
- Ensure that you don't drill through electrical wires or any other obstruction in the wall or ceiling during installation!
- This product is not suitable for children under 14 years.
- The relative humidity may not exceed 75 %.
- The ambient temperature must be between 50 °F and 95 °F.
- The ambient temperature must be between 10 °C and 35 °C.
-  Do not stare at the operating light source.

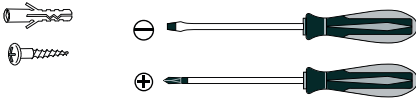
SAVE THESE INSTRUCTIONS

INSTALLATION INSTRUCTIONS

Incl.



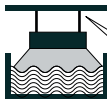
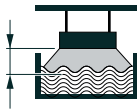
Excl.



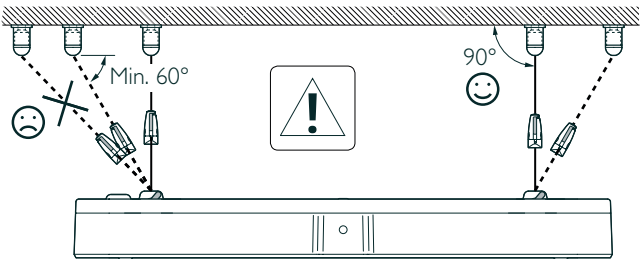
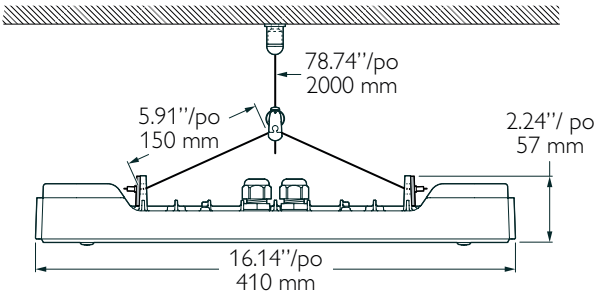
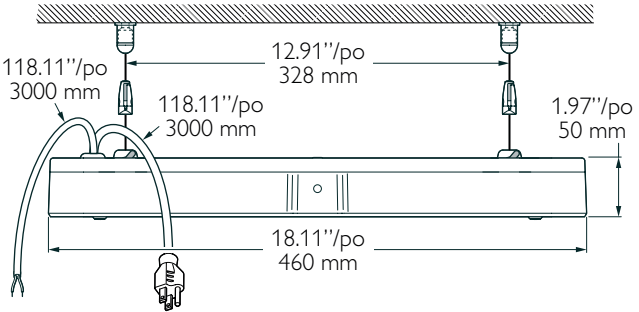
Install CoralCare min.15cm - 5.9"/po above the water surface.

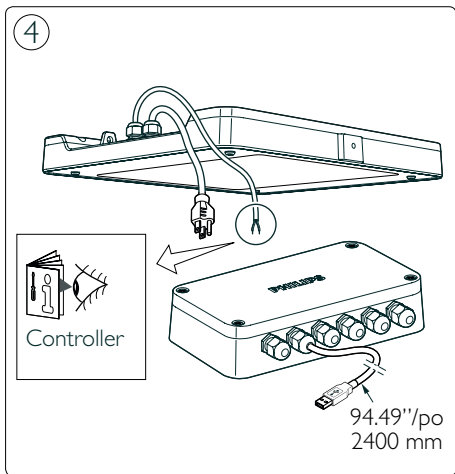
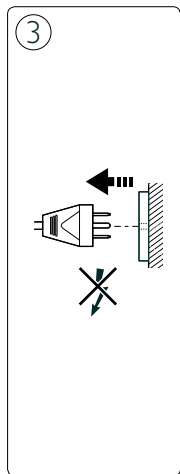
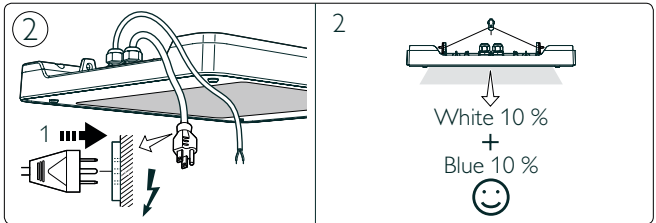
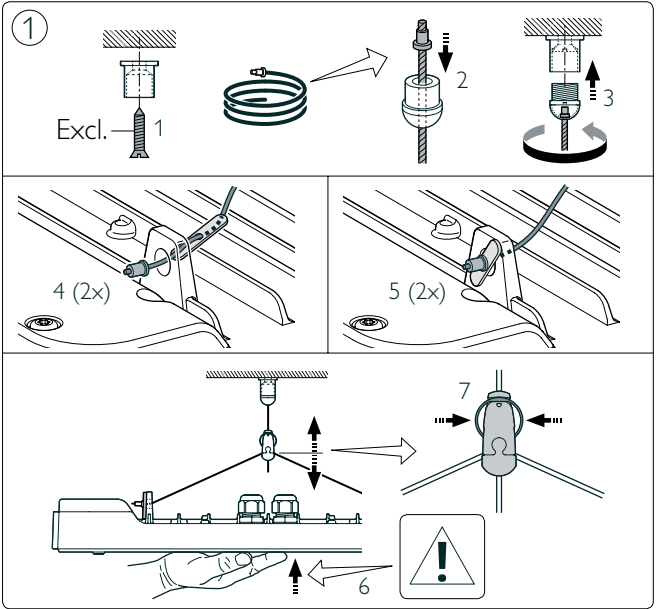


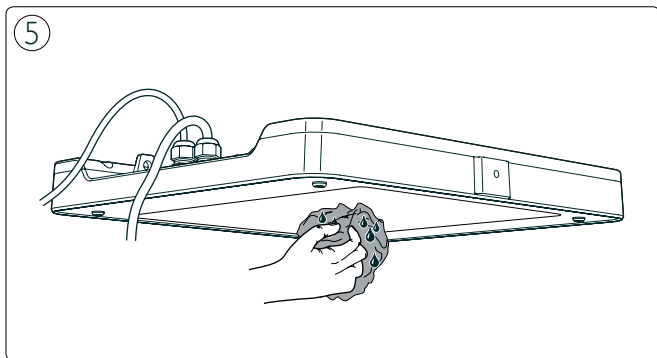
Min. 5.91"/po
Min. 150 mm



30kg
66 lbs







GROUNDING INSTRUCTIONS

This appliance should be grounded to minimize the possibility of electric shock. This appliance is equipped with an electric cord having an equipment grounding conductor and a grounding type plug. The plug must be plugged into an outlet that is installed and grounded in accordance with all appropriate codes and ordinances. No adaptor should be used with this appliance.

OPERATION AND MAINTENANCE

Maintain interior lighting with a dry cloth duster, do not use abrasives or solvents. Avoid liquid on all electrical parts. Keep packaging materials out of children's reach. (e.g. plastic bags,...) Manage in accordance with disposal laws in your area.

LIMITED WARRANTY FOR USA

Signify warrants that this device will be free from defects in material and workmanship and will operate for 2 years, unless a different period is stated in or on the packaging of the product, when used as directed. If this device does not conform to the warranty, Signify will send you, at its election, a replacement device or refund your original price upon receipt of the returned device, register receipt and proof of purchase. Please call our toll-free number, 1-800-555-0050, write to us (address indicated on the packaging) or send an e-mail to our distributor CoralVue (support@coralvue.com) to find out how to return the device. This limited warranty does not cover devices subject to accident, neglect, abuse, misuse or acts of God.

REPLACEMENT OR REFUND IS YOUR SOLE REMEDY. EXCEPT TO THE EXTENT PROHIBITED BY APPLICABLE LAW, ANY IMPLIED WARRANTIES ARE LIMITED IN DURATION TO THE DURATION OF THIS WARRANTY. LIABILITY FOR INCIDENTAL OR CONSEQUENTIAL DAMAGES IS HEREBY EXPRESSLY EXCLUDED.

Some states and provinces do not allow exclusion of incidental or consequential damages, so the above limitation or exclusion may not apply to you. This warranty gives you specific legal rights, and you may also have other rights which vary from state to state and province to province.

Philips and the Philips Shield Emblem are registered trademarks of Koninklijke Philips N.V.



Signify North America Corporation
200 Franklin Square Drive
Somerset, NJ 08873, USA

Questions or Comments:
1-800-555-0050
www.philips.com/coralcare

For warranty:
Coralvue
38183 Commercial Ct.
Slidell, LA 70458 USA
www.coralvue.com
support@coralvue.com

© 2020 Signify Holding

3421 652 78271
Last update: 13/02/20