

PHILIPS

Ledinaire



Trusted



Reliable



Great value

REAL
PROs
REAL
QUALITY

Second rate or simply great?



Real professionals choose the new **Philips Ledinaire highbay** for their everyday lighting jobs

Trusted performance. Everyday.

The new **Ledinaire highbay** is a highly efficient and reliable LED luminaire. Designed as a point to point replacement for HPI 250W/400W luminaires, it offers all the benefits of LED lighting – reduced energy consumption, longer service time and less maintenance. The comfortable diffused lighting makes the product suitable for every application.

Features and benefits

- ✓ **Energy savings** of up to 55% compared to HID system
- ✓ **1 to 1 replacement** for conventional highbays
- ✓ **Hassle-free installation** with single point suspension
- ✓ **50,000hrs lifetime** at L65
- ✓ IP rated termination connector for **safe installation**

Applications

- ✓ General manufacturing
- ✓ Warehouses and logistical centers
- ✓ Exhibition halls and high ceiling lounges



Product highlights:

- ✓ Great energy savings
- ✓ 1 to 1 replacement
- ✓ 50,000 hrs lifetime at L65



For warranty conditions, visit
www.lighting.philips.com/main/support/support/warranty



BY020P LED100



Optional reflector (narrow beam)

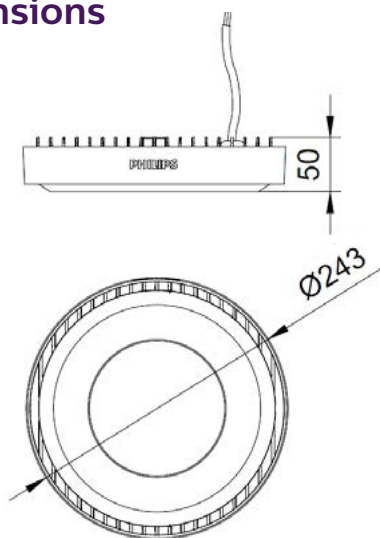
Product data

	BY020P LED100S	BY021P LED200S
Lumen output	10,000lm	20,000lm
System power	95W	190W
System efficacy	103lm/W	105lm/W
CCT	4000K	
CRI	> 80	
IP/IK rating	IP65/ IK06	
Classification	Class I	
Operation temperature	-20°C to +45°C (Ta 35°C)	
Lifetime (hrs)	50,000hrs (L65) at 35°C	
Optics	Wide beam / narrow beam (with reflector*)	
Input voltage	220-240V, 50/60 Hz	
Power factor	> 0.90	
Driver	PSU, non-dimmable driver	
Mounting/installation	Suspension (hook included in the box)	
Housing	Aluminum die-casting	
Dimensions	Ø244mm/H50mm	Ø344mm/H60mm
Weight	1.4kgs	3.1kgs
Reflector*	BY020Z AC	BY021Z AC

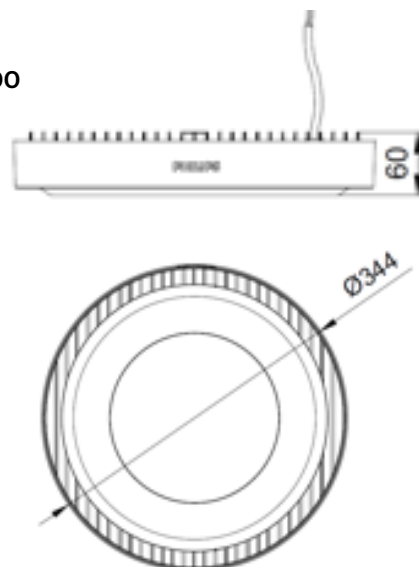
*Reflector needs to be ordered separately

Dimensions

LED100



LED200



Order information

Product name	Power (W)	Lumen maintenance (at median useful life of 50,000 h)	Luminous flux (lm)	Color temperature (K)	CRI	EOC
BY020P LED100S/840 PSU WB GR	97	L65	10,000	4000	≥ 80	871016333996299
BY021P LED200S/840 PSU WB GR	190	L65	19,500	4000	≥ 80	871016333998699
BY020Z AC			Reflector used for LED100			871016333992499
BY021Z AC			Reflector used for LED200			871016333994899

