

# PHILIPS

## CoreLine



Innovative



Easy to install



High quality

REAL  
PROs  
REAL  
QUALITY



# In a state or state-of-the-art?

Real professionals count on the new **Philips CoreLine highbay**

## Introducing the new CoreLine highbay

The new CoreLine highbay proves that even champions can get a powerful and effective performance upgrade. Built on the success of its forerunner, the next generation highbay takes performance even further with new, innovative design, higher efficiency and greater lifetime. Designed as a replacement for conventional highbay luminaires, it offers all the desired benefits of LED lighting, while also giving installers advantages like simple installation, smaller size for easy handling, installation on existing grids and straight-forward electrical connection. All in all, the right decision when light really matters.

- ✓ High-quality visibility and application uniformity with low glare.
- ✓ Robust and reliable solutions for long service life.
- ✓ Highly efficient solutions with an attractive total cost of ownership.
- ✓ Dedicated lens optics (NB/WB) to meet all application requirements
- ✓ Innovative product design with the option of seamlessly integrating sensors into the product.

## Next generation performance with the new CoreLine highbay

- ✓ High efficiency of up to 145 lm/W
- ✓ Long service life of 70,000 at L70
- ✓ Single point mounting system for simple installation
- ✓ Low glare rating and color rendering of >80
- ✓ Suitable for replacement of 250W / 400W conventional highbays

### Application:

- ✓ Warehouses
- ✓ Logistical centers
- ✓ General manufacturing areas
- ✓ Exhibition halls
- ✓ High ceiling lounges

### New and improved:

- ✓ 25,000 lumen version
- ✓ System efficiency: 145 lm/W
- ✓ 70,000 hrs lifetime at L70



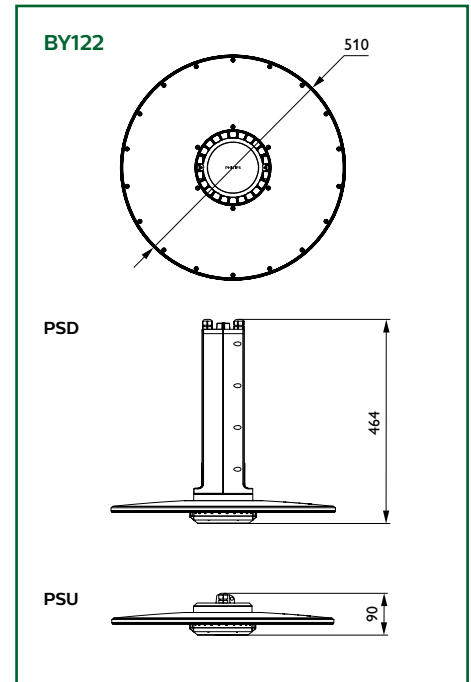
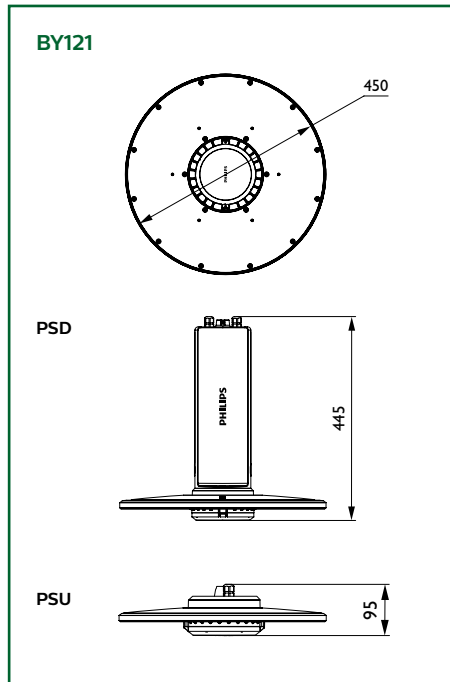
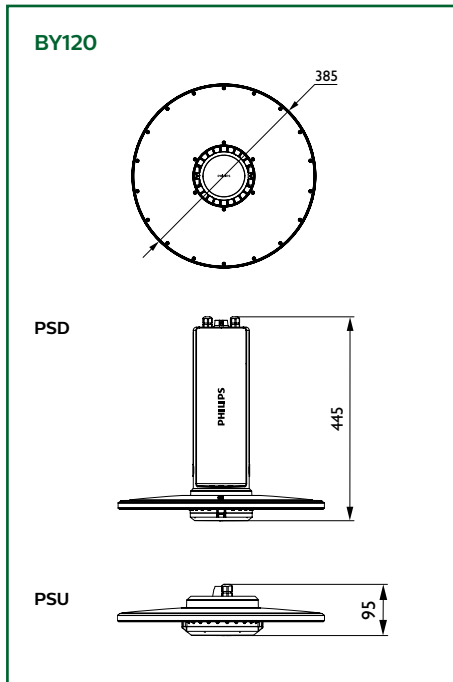
For warranty conditions, visit  
[www.lighting.philips.com/main/support/support/warranty](http://www.lighting.philips.com/main/support/support/warranty)



## Simple installation and different mounting options

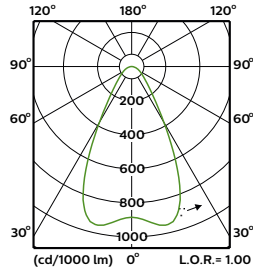
Installing the new CoreLine highbay is as simple as ever and can be done three ways: hook mounting, pipe mounting and bracket mounting.

### Dimensions

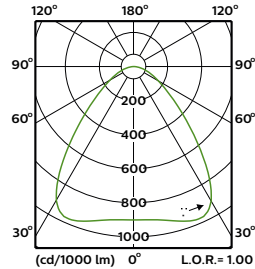


### Polar intensity

**BY121P NB**



**BY121P WB**



### Specifications

Product name	Power (W)	Lifetime L70 (h)	Luminous flux (lm)	Color temperature (K)	CRI	EOC
BY120P G4 LED100S/840 PSU NB	69	70,000	10,000	4000	≥ 80	333571100
BY120P G4 LED100S/840 PSU WB	69	70,000	10,000	4000	≥ 80	33570400
BY121P G4 LED200S/840 PSU NB	138	70,000	20,500	4000	≥ 80	33569800
BY121P G4 LED200S/840 PSU WB	138	70,000	20,000	4000	≥ 80	33568100
BY122P G4 LED250S/840 PSU NB	175	70,000	25,000	4000	≥ 80	33664000
BY122P G4 LED250S/840 PSU WB	175	70,000	25,000	4000	≥ 80	33665700
BY120P G4 LED100S/840 PSD NB	69	70,000	10,000	4000	≥ 80	33702900
BY120P G4 LED100S/840 PSD WB	69	70,000	10,000	4000	≥ 80	33703600
BY121P G4 LED200S/840 PSD NB	138	70,000	20,000	4000	≥ 80	33698500
BY121P G4 LED200S/840 PSD WB	138	70,000	20,000	4000	≥ 80	33699200
BY122P G4 LED250S/840 PSD NB	175	70,000	25,000	4000	≥ 80	33879800
BY122P G4 LED250S/840 PSD WB	175	70,000	25,000	4000	≥ 80	33880400

