

PHILIPS

CoreLine
Highbay IP40



Innovative



Easy to install



High quality

REAL
PROs
REAL
QUALITY

Low achiever or high performer?

Real professionals count on the new **Philips CoreLine Highbay IP40.**

This replaces traditional Philips 400W metal halide and T5 highbays.

The IP40 Coreline Highbay has an attractive high quality design with an assortment of different optics including a high rack option. With advanced options, such as a ZigBee Actilume wireless control system, system energy saving can reach up to 88% when compared to traditional high bay luminaires.

Key Features and Benefits

- ✓ System efficacy of up to 140lm/W offers up to 73% energy saving compared to traditional HID systems
- ✓ Three different distributions to precisely illuminate space efficiently
- ✓ Robust aluminium extrusion body and quality Xitanium drivers ensuring luminaire longevity



Applications

- ✓ Warehouses
- ✓ Distribution centres
- ✓ General high ceiling applications
- ✓ Factories
- ✓ Production lines
- ✓ Large format retail stores

65,000
hours
@L70

Up to
140
lm/w

IP40

IK03

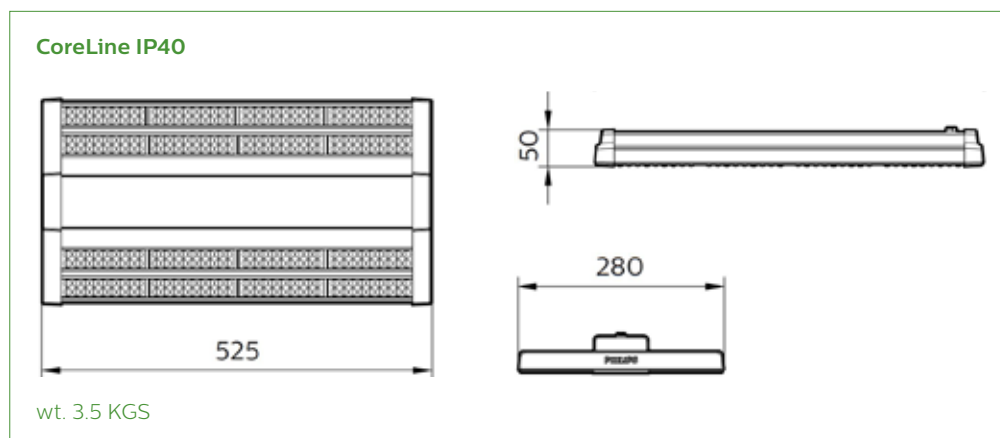
5
years
warranty

www.clubblue.co.nz

Simple installation

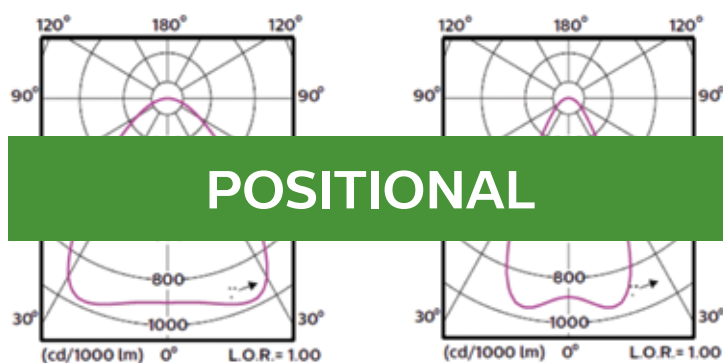
Installing the new CoreLine Highbay IP40 is as simple as ever, using the standard A frame hangers, providing a self leveling two point installation.

Dimensions



Dimensions show above are nominal measurement. Slight variation in dimension may occur in production.

Polar intensity



Wide Beam

Narrow Beam

Order codes for the CoreLine Highbay IP40

Specification	Part Number	Shortcode
153W, 21000lms, 4000K	911401540661 BY560P LED210/NW PSU WB CAU CL	BY560P21084PWF
153W, 21000lms, 6500K	911401540761 BY560P LED210/NW PSU WB CAU CL	BY560P21086PWF

*Note: All the above options come with 3M Flex & Plug and a wide beam distribution. Other options available on request

