

PHILIPS

CoreLine
Highbay IP65



Innovative



Easy to install



High quality

REAL
PROs
REAL
QUALITY

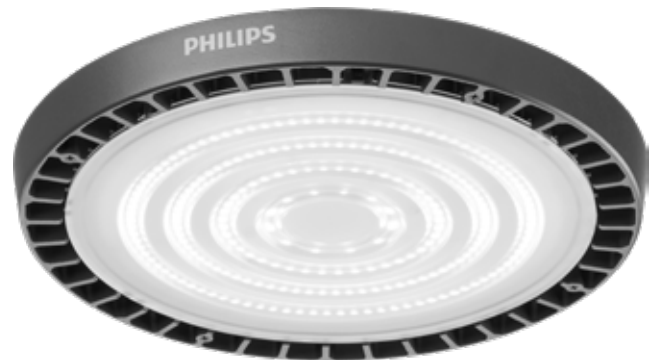
Instant frustration or easy installation?

Real professionals count on the new **Philips CoreLine Highbay IP65.**

This is designed as a replacement for conventional HPI 250 or 400W metal halide luminaires. It comes complete with a flex and plug and single point suspension, making connection quick and easy to install. The Highbay also features a new round dedicated optic, providing a softer more natural light.

Key Features and Benefits

- ✓ Strong energy saving credentials – system efficacy @135lm/W
- ✓ Round exit window design - for easy alignment when installing multiple highbays in a row
- ✓ An additional reflector available
- ✓ Robust & reliable with a long service lifetime 50,000 hrs @L70 lifetime @35°C
- ✓ High quality aluminium die cast heatsink ensuring a long life in harsh environments



Applications

- ✓ Warehouses
- ✓ Distribution centres
- ✓ General manufacturing areas
- ✓ Exhibition halls
- ✓ High ceiling lounges

50,000
hours
@L70

Up to
135
lm/w

IP65

IK08

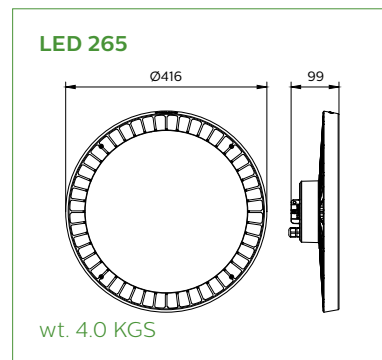
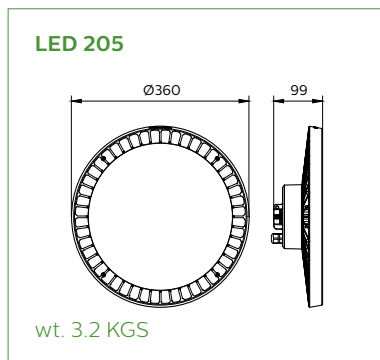
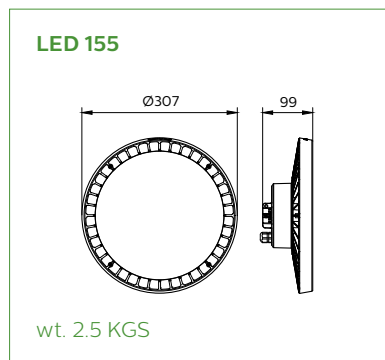
5
years
warranty

www.clubblue.co.nz

Simple installation and different mounting options

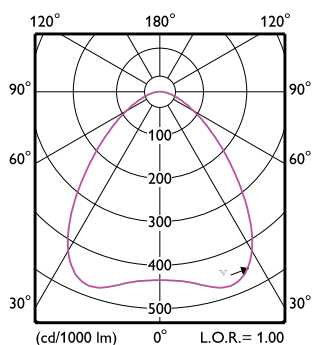
Installing the new CoreLine highbay IP65 is as simple as ever and can be done three ways: hook mounting, pipe mounting and bracket mounting.

Dimensions

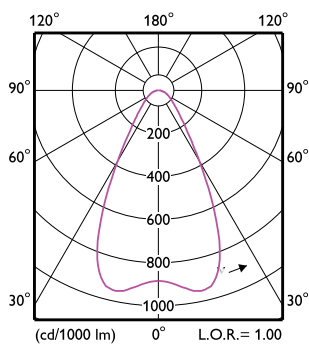


Dimensions shown above are nominal measurement. Slight variation in dimension may occur in production.

Polar intensity



Wide Beam



Narrow Beam (available on request)

Order codes for the CoreLine Highbay IP65

Specification	Part Number	Shortcode
115W, 15500lms, 4000K	911401518661 BY698P LED155/840 PSU WB CAU G2 CL	BY698P1584PWF
115W, 15500lms, 5000K	911401518961 BY698P LED155/850 PSU WB CAU G2 CL	BY698P1684PN3
149W, 20500lm, 4000K	911401518761 BY698P LED205/840 PSU WB CAU G2 CL	BY698P2084PWF
149W, 20500lm, 5000K	911401519061 BY698P LED205/850 PSU WB CAU G2 CL	BY698P2084DN3
192W, 26500lms, 4000K	911401518861 BY698P LED265/840 PSU WB CAU G2 CL	BY698P2084PIRN3
192W, 26500lms, 5000K	911401519161 BY698P LED265/850 PSU WB CAU G2 CL	BY698P2084PIRW3

*Note: All the above options come with 3M Flex & Plug and a wide beam distribution. Other options available on request.

Accessories

Specification	Part Number	Shortcode
Mounting Bracket	911401523461 BY698Z PSU MB G2	
Spare Hook	911401565101 MOUNTING HOOK_RR	

